

DESCRIPTION

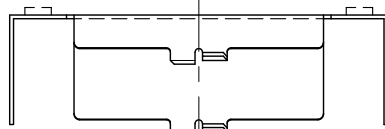
The YC-280 is a wall-mounting bracket specially designed for the master station of the N-8000 series Packet Intercom system. The master station can be installed on a wall or its front operation panel can be inclined from the desk surface by attaching the YC-280.

SPECIFICATIONS

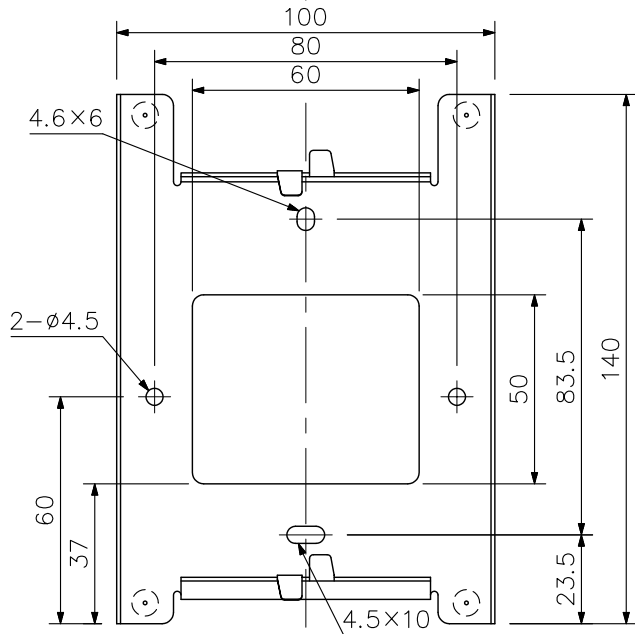
Finish	Surface-treated steel plate, gray, paint
Dimensions	100 (W) × 140 (H) × 31.8 (D) mm
Weight	120 g
Accessory	Screw for wall mounting (wood screw) ×2, Rubber foot ×4
Applicable Model	N-8000MS, N-8010MS, N-8020MS, N-8500MS, N-8510MS, N-8600MS

APPEARANCE

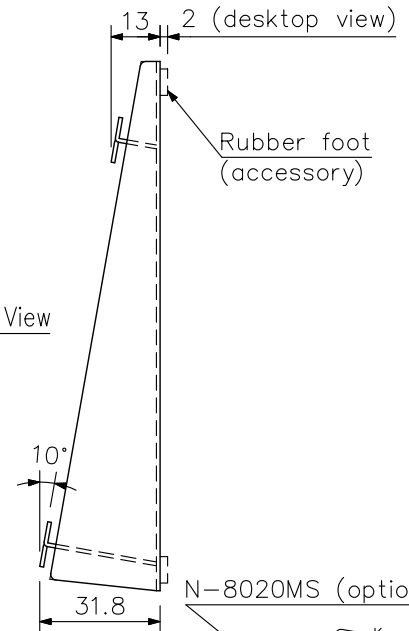
Top View



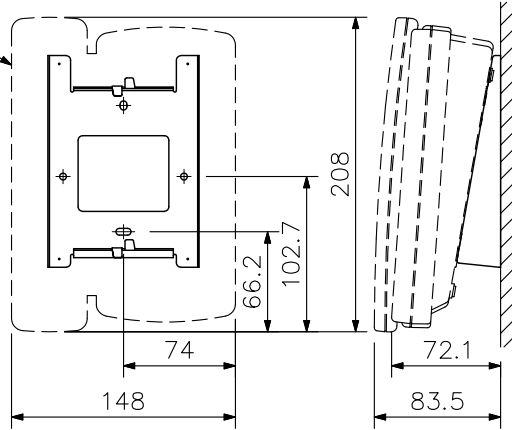
Front View



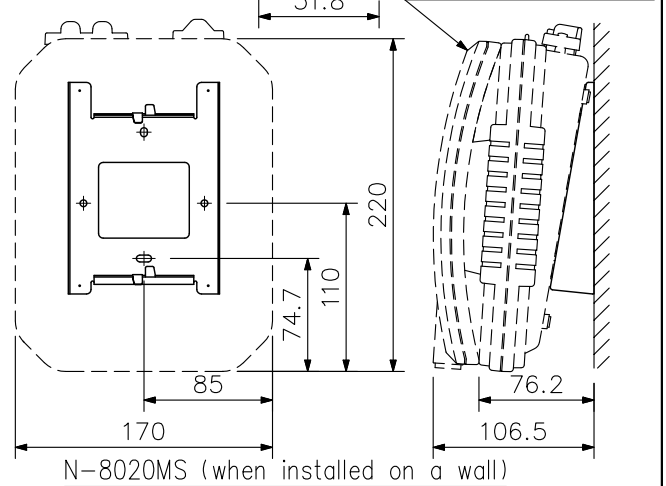
Side View



Applicable Model (option)

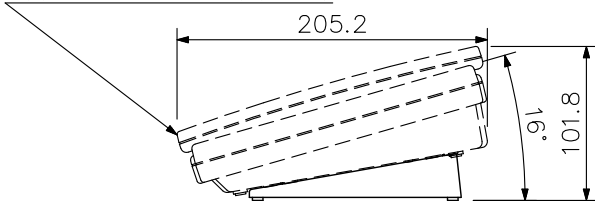


Applicable Model (when installed on a wall)



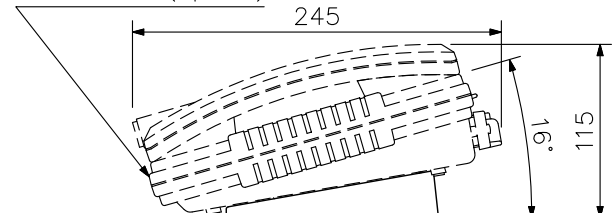
N-8020MS (when installed on a wall)

Applicable Model (option)



Applicable Model (when installed on a desk)

N-8020MS (option)



N-8020MS (when installed on a desk)

UNIT:mm SCALE:1/2

Installation view (SCALE: 1/5)