



PC-648R

SPRING CLAMP TYPE CEILING MOUNT SPEAKER



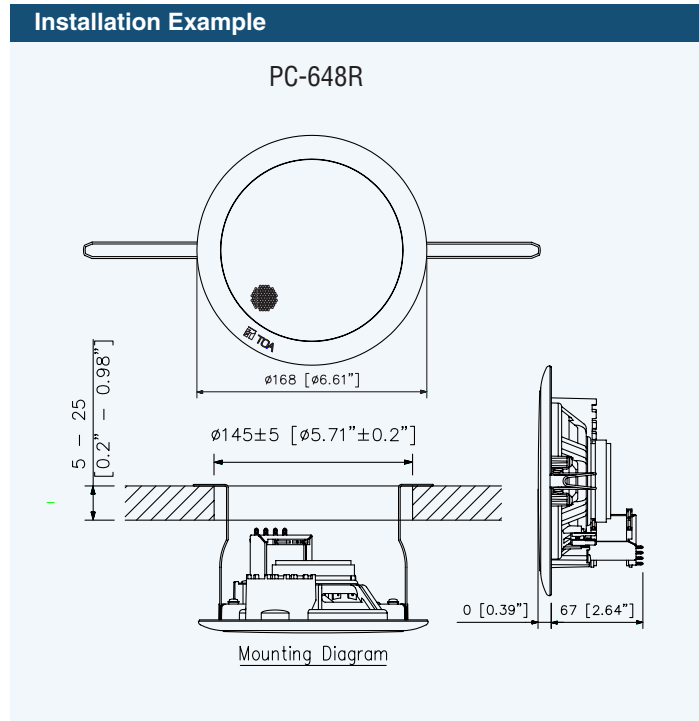
Cost effective and easy to install

PC-648R Ceiling Speaker

Integrated with a resin panel and speaker frame, the PC-648R is a ceiling mount speaker with a metal grille attached. It features a spring clamp mechanism for easy speaker mounting to the ceiling. The input impedance can be easily changed by changing the tap position of the transformer.

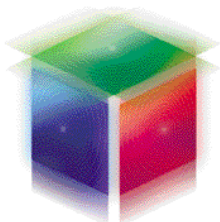
Features:

- Spring clamp mechanism for easy speaker mounting to the ceiling
- 12cm (5") cone type



Specifications

Model	PC-648R
Rated Input	6W (100V line), 3W (70V line)
Rated Impedance	100V line: 1.7 kΩ (6W), 3.3kΩ (3W), 10kΩ (1W) 70V line: 1.7 kΩ (3W), 3.3kΩ (1.5W), 10kΩ (0.5W)
Sensitivity	90dB (1W, 1m)
Frequency Response	100 - 18,000Hz
Speaker Component	12cm (5") cone-type
Dimensions for Fixing Hole	Mounting hole: 145 ± 5mm (5.71" ± 0.2") Ceiling thickness: 5 - 25mm (0.2 - 0.98")
Speaker Mounting Method	Spring Clamp
Finish	Baffle: Polypropylene resin, off-white paint Grille: Surface-treated steel plate net, off-white paint
Dimensions	168 x 77 (D) mm
Weight	470g
Accessory	Paper pattern ... 1



Human Society with
Sound & Communication

TOA Electronics, Inc.

www.toaelectronics.com

Specifications are subject to change without notice.