



USER'S MANUAL

**PLEASE READ THIS MANUAL FIRST!**

**NETWORK AUDIO ADAPTER**

**NX-300**

**IMPORTANT!**

To use the instruction manuals and the software related to the NX-300 Network Audio Adapter, select the latest versions from the TOA product download site (<http://www.toa-products.com/international/>). Be sure to download them anew when installing, setting or operating them for the first time after initial purchase.  
For details, see p. 5, "Guiding A Download Site."

Thank you for purchasing TOA's Network Audio Adapter.  
Please carefully follow the instructions in this manual to ensure long, trouble-free use of your equipment.

# TABLE OF CONTENTS

<b>1. SAFETY PRECAUTIONS</b> .....	3
<b>2. INTRODUCTION</b> .....	5
2.1. Parts Included with The Package .....	5
2.2. Composition of The NX-300 Instruction Manual .....	5
2.3. Guiding A Download Site .....	5
<b>3. GENERAL DESCRIPTION</b> .....	6
<b>4. FEATURES</b> .....	6
<b>5. HANDLING PRECAUTIONS</b> .....	7
<b>6. ABOUT THE USABLE SD CARDS</b> .....	8
<b>7. NOMENCLATURE AND FUNCTIONS</b> .....	9
Front .....	9
Rear .....	10
<b>8. CONNECTIONS</b> .....	11
8.1. Power Source Connections .....	11
8.1.1. When using a 24 V DC power source .....	11
8.1.2. When using the AC adapter .....	11
8.2. Terminal Connections .....	12
8.2.1. Network connections .....	12
8.2.2. Connections to audio input and output terminals .....	12
8.2.3. Connections to control input and output terminals .....	14
8.3. Removable Terminal Plug Connection .....	16
<b>9. INSTALLATION</b> .....	17
9.1. Rack Mounting .....	17
9.1.1. When mounting a single unit .....	17
9.1.2. When mounting 2 units .....	17
9.2. Wall Mounting .....	18
9.3. Desk-Top Installation .....	19
<b>10. BEFORE SETUP</b> .....	19
10.1. MAC Addresses and Installation Locations .....	19
10.2. Input Level Adjustment .....	20
10.3. Recommended PC Requirements .....	20

# 1. SAFETY PRECAUTIONS

- Before installation or use, be sure to carefully read all the instructions in this section for correct and safe operation.
- Be sure to follow all the precautionary instructions in this section, which contain important warnings and/or cautions regarding safety.
- After reading, keep this manual handy for future reference.

## Safety Symbol and Message Conventions

Safety symbols and messages described below are used in this manual to prevent bodily injury and property damage which could result from mishandling. Before operating your product, read this manual first and understand the safety symbols and messages so you are thoroughly aware of the potential safety hazards.



### **WARNING**

Indicates a potentially hazardous situation which, if mishandled, could result in death or serious personal injury.



### **CAUTION**

Indicates a potentially hazardous situation which, if mishandled, could result in moderate or minor personal injury, and/or property damage.



### **WARNING**

#### When Installing the Unit

- Do not expose the unit to rain or an environment where it may be splashed by water or other liquids, as doing so may result in fire or electric shock.
- Use the unit only with the voltage specified on the unit. Using a voltage higher than that which is specified may result in fire or electric shock.
- Do not cut, kink, otherwise damage nor modify the power supply cord. In addition, avoid using the power cord in close proximity to heaters, and never place heavy objects -- including the unit itself -- on the power cord, as doing so may result in fire or electric shock.
- Avoid installing or mounting the unit in unstable locations, such as on a rickety table or a slanted surface. Doing so may result in the unit falling down and causing personal injury and/or property damage.

#### When the Unit is in Use

- Should the following irregularity be found during use, immediately switch off the power, disconnect the power supply plug from the AC outlet and contact your nearest TOA dealer. Make no further attempt to operate the unit in this condition as this may cause fire or electric shock.
  - If you detect smoke or a strange smell coming from the unit.
  - If water or any metallic object gets into the unit
  - If the unit falls, or the unit case breaks
  - If the power supply cord is damaged (exposure of the core, disconnection, etc.)
  - If it is malfunctioning (no tone sounds.)

- To prevent a fire or electric shock, never open nor remove the unit case as there are high voltage components inside the unit. Refer all servicing to qualified service personnel.

- Do not place cups, bowls, or other containers of liquid or metallic objects on top of the unit. If they accidentally spill into the unit, this may cause a fire or electric shock.

- Do not insert nor drop metallic objects or flammable materials in the gaps around the rear-mounted connectors, as this may result in fire or electric shock.

- Do not touch the unit and the power supply plug during thunder and lightning, as this may result in electric shock.



### **CAUTION**

#### When Installing the Unit

- Never plug in nor remove the power supply plug with wet hands, as doing so may cause electric shock.

- When unplugging the power supply cord, be sure to grasp the power supply plug; never pull on the cord itself. Operating the unit with a damaged power supply cord may cause a fire or electric shock.

- When moving the unit, be sure to remove its power supply cord from the wall outlet. Moving the unit with the power cord connected to the outlet may cause damage to the power cord, resulting in fire or electric shock. When removing the power cord, be sure to hold its plug to pull.



## CAUTION

### When Installing the Unit

- Avoid installing the unit in humid or dusty locations, in locations exposed to the direct sunlight, near the heaters, or in locations generating sooty smoke or steam as doing otherwise may result in fire or electric shock.

### When the Unit is in Use

- Use the specified AC adapter for the unit. Note that the use of other adapter may cause a fire.

- If dust accumulates on the power supply plug or in the wall AC outlet, a fire may result. Clean it periodically. In addition, insert the plug in the wall outlet securely.

- Unplug the power supply plug from the AC outlet for safety purposes when cleaning or leaving the unit unused for 10 days or more. Doing otherwise may cause a fire or electric shock.

## 2. INTRODUCTION

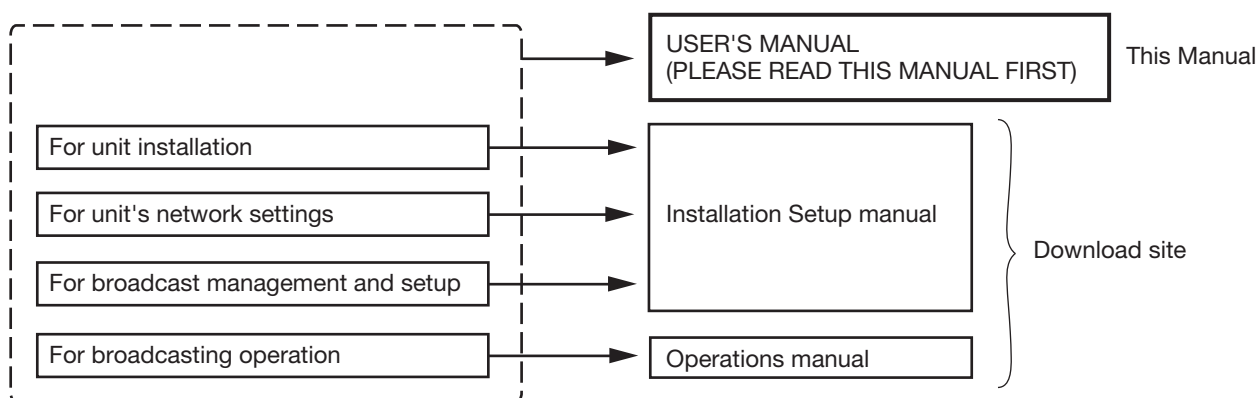
### 2.1. Parts Included with The Package

Check to be sure that all the following components are included with the unit.

9-pin removable terminal plug (for control I/O) .....	2
6-pin removable terminal plug (for audio I/O) .....	2
3-pin removable terminal plug (for power supply) .....	1
4-pin removable terminal plug (for relay terminals) .....	1
Plastic foot .....	4
M3 x 8 machine screw .....	4
USER'S MANUAL (PLEASE READ THIS MANUAL FIRST) .....	1

### 2.2. Composition of The NX-300 Instruction Manual

The NX-300 Instruction Manual is divided into three parts: User's Manual (entitled as "PLEASE READ THIS MANUAL FIRST"), Installation Setup, and Operations. Before installation or use, be sure to refer to the pertinent information included in these manuals in order to familiarize yourself with its correct operation.



### 2.3. Guiding A Download Site

To use the following items related to the NX-300 Network Audio Adapter, select the latest versions from the TOA product download site (<http://www.toa-products.com/international/>). Be sure to download them anew when installing, setting or operating them for the first time after initial purchase. Other than these, such items as photos, specifications, exterior drawings and firmware can also be downloaded from the above site.

- NX-300 Software (These dedicated softwares permit the NX-300 to be operated from a connected PC.)
  - NX-300 Setting Software
  - NX-300 Finder
  - NX-300 Operation Software
- NX-300 Installation Setup Manual
- NX-300 Operations Manual

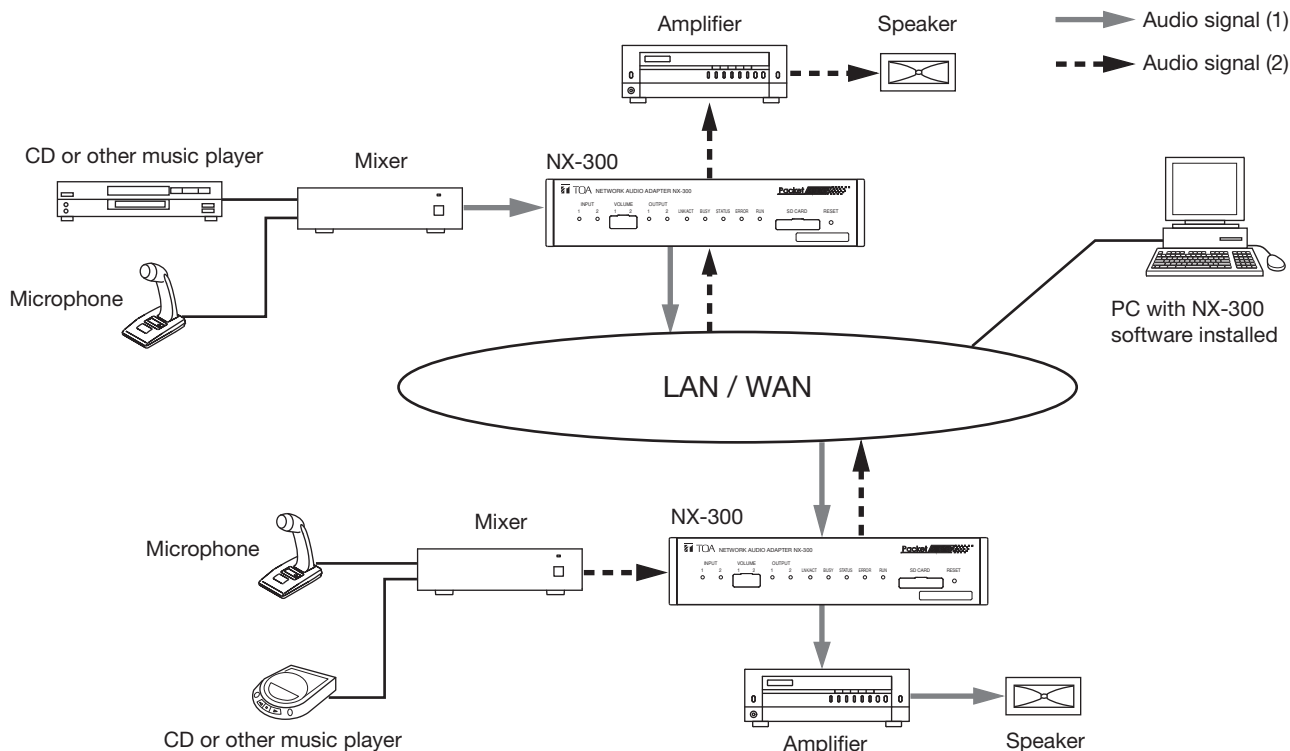
#### [Update information]

- To confirm the NX-300 firmware version or to update the firmware, use the browser on the PC. For details, see the installation setup manual.
- To confirm the NX-300 software version, use the Help menu of the software.

### 3. GENERAL DESCRIPTION

TOA's NX-300 Network Audio Adapter is specially developed to transmit high-quality audio signals over IP networks such as LAN or Internet in real time.

#### [Audio signal flow chart]



### 4. FEATURES

- Permits use of not only dedicated lines, but also the Internet, which greatly reduces operating costs when transmitting audio signals to remote locations.
- Under peak conditions with no network delay, audio signals can be transmitted with a minimal delay of about 20 ms.
- Transmission of control data of control input and output terminals possible.
- Equipped with 2 audio inputs and 2 audio outputs, permitting audio file broadcasting.
- Simultaneous bi-directional transmission of audio signals possible.
- Broadcasts can be made of audio files stored in the built-in memory.
- Audio signals can be simultaneously transmitted to multiple locations (16 locations by unicast\*1 or 64 locations by multicast\*2 per channel).
- Enables loss-free audio signal transmission even over congested networks such as the Internet.
- Surveillance function keeps a constant watch on the audio inputs and outputs, and network and control input (1 channel only), and sends an alarm through the indicators or control output when a malfunction or failure is detected.
- The entire system can be remotely operated or managed from a single PC (personal computer) using the software program.
- Operation log can be saved to an installed SD card (commercial product).
- Because audio transmissions can be started and finished via the unit's contact inputs, systems can be configured even without the use of a PC.
- Designed to operate on either AC adapter (option) or DC power source.

\*1 UNICAST : A communications method used to transmit audio data to designated addresses in a matched ratio of 1:1.

\*2 MULTICAST : A communications method used to simultaneously transmit a single audio data source to multiple destinations.

## 5. HANDLING PRECAUTIONS

- **Warning:** This is a class A products. In a domestic environment this product may cause radio interference in which case the user may be required to take adequate measures.
- **Note:** This equipment has been tested and found to comply with the limits for a Class A digital device, pursuant to Part 15 of the FCC Rules. These limits are designed to provide reasonable protection against harmful interference when the equipment is operated in a commercial environment. This equipment generates, uses, and can radiate radio frequency energy and, if not installed and used in accordance with the instruction manual, may cause harmful interference to radio communications.  
Operation of this equipment in a residential area is likely to cause harmful interference in which case the user will be required to correct the interference at his own expense.
- The user that changes or modifications not expressly approved by the party responsible for compliance could void the user's authority to operate the equipment.
- Avoid soldering stranded or shielded cable, as contact resistance may increase when the cable is tightened and the solder is crushed, possibly resulting in an excessive rise in joint temperatures.
- Avoid exposing the unit to strong shocks or vibration, which could damage the unit.
- Do not use the unit in close proximity to TV sets or radios in order to avoid reception interference.
- Take care to only use the unit in locations having an ambient temperature within the range of  $-10$  to  $+50^{\circ}\text{C}$  ( $0$  to  $40^{\circ}\text{C}$  when using the optional AC adapter), and humidity of less than 90% (no condensation).
- Even if the above conditions are met, if the NX-300 is installed outdoors in an outdoor-use enclosure, the inside of the enclosure could exceed the unit's maximum operating temperature and humidity ranges. Avoid locations that may be exposed to direct sunlight or high temperature and high humidity in order to prevent the temperature and humidity within the enclosure from exceeding their specified ranges.
- When mounting the NX-300 in a rack, peripheral areas around power amplifiers could exceed the operating temperature specified for the unit. Avoid installing the NX-300 in close proximity to power amplifiers.
- Always check to be sure that the NX-300's power is turned off before connecting terminals or changing DIP switch positions.
- Regarding optional AC adapter inspection and replacement:  
To ensure the safe use of the AC adapter, inspect and replace it on a regular basis. As a guideline, the AC adapter should be replaced with a new one after 5 years of use when it is continuously used for 24 hours per day under ordinary usage conditions. Please note, however, that replacement guidelines may differ depending on the installation environment or usage conditions.
- Commercially available music or music source data are prohibited from being copied, transmitted to the public or broadcast without permission of the copyright holder, except when such activities are not in violation of copyright laws. It is recommended that a copyright law expert be consulted before using such materials.
- TOA takes no responsibility for lost or damaged data.
- Regarding security measures when connected to a network:
  - Take sufficient security measures for networks under the responsibility of customers. Please note that TOA takes no responsibility for any loss or damage sustained by the customer due to problems related to network security, such as unauthorized access.
  - It is highly recommended that the NX-300's initially-set ID and password be changed in order to prevent illegal access. Also, it is requested that both ID and password be changed on a regular basis as needed. For details including their setting methods, see the separate Installation Setup manual.
  - Take special care in regards to password management.
- To clean, be sure to first cut off power to the unit, then wipe with a dry cloth. When the unit gets very dirty, use a cloth damped in a neutral cleanser. Never use benzene, thinner or chemically-treated cleaning cloth because such volatile liquids could deform or discolor the unit.

## 6. ABOUT THE USABLE SD CARDS

- Inserting an SD card into the NX-300 causes the setting files, operation logs and other necessary maintenance information to be automatically written to the card.
- Separately prepare the SD/SDHC card\* to be used. Cards with capacities of up to 32 GB can be used.

\* The following logos are displayed on the card:



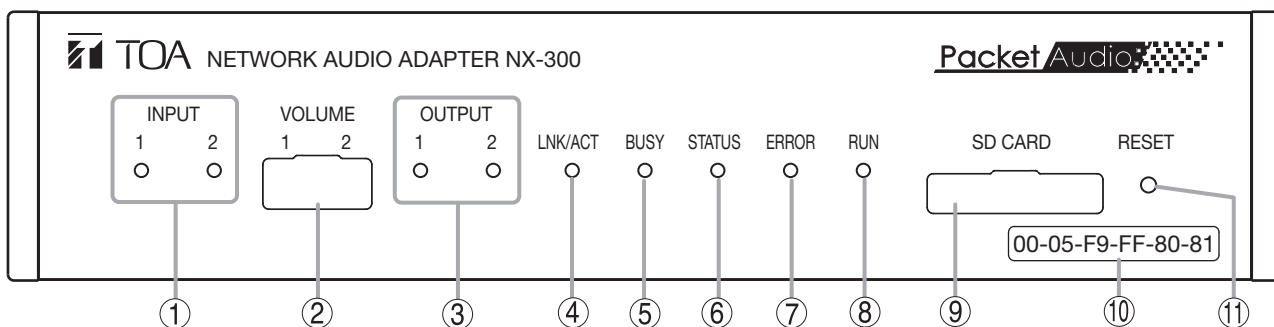
SD and SDHC Logos are registered trademarks.

- Neither mini SD cards nor micro SD cards can be used.
- The NX-300 is not compatible with SDXC cards.
- When using SD cards of up to 2 GB, use FAT16-formatted cards. When using SDHC cards of up to 32 GB, use FAT32-formatted cards. When formatting with a PC, be sure to download and use only the dedicated formatter software provided by the SD Association.



# 7. NOMENCLATURE AND FUNCTIONS

[Front]

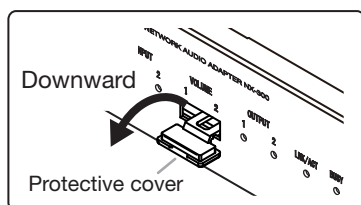


### 1. Input indicator (Green/Red)

This indicator lights green when signal received at the audio input terminal (21) reaches a level high enough to transmit it to a network after adjustment with the input level control. When the indicator lights red, this means that distortion has been detected in the audio signal. Set the input volume control (2) or switches 5 and 6 (audio input pad setting switch) of DIP switch for equipment settings (22) to appropriate settings.

### 2. Input volume control

When adjusting the level, remove the protective cover by pulling it downward as shown in the figure below. The level increases with clockwise rotation and decreases with counterclockwise rotation. Adjust the input volume control so that the input indicator (1) lights green, but not red. For more information on level adjustments, see p. 20, "Input Level Adjustment."



#### Note

The protective cover cannot be detached from the NX-300.

### 3. Output indicator (Green)

Lights when the level of the signal sent out from the audio output terminal is sufficient.

### 4. LNK/ACT indicator (Green)

Lights when the unit is connected to a network. Flashes while the unit is transmitting or receiving data.

### 5. Busy indicator (Green)

Continuously flashes while reading and writing data into a built-in memory or SD card. Lights for one second and then extinguishes when another broadcast with lower priority made during a broadcast with higher priority is rejected.

### 6. Status indicator (Green)

Continuously lights during broadcasting.

### 7. Error indicator (Yellow)

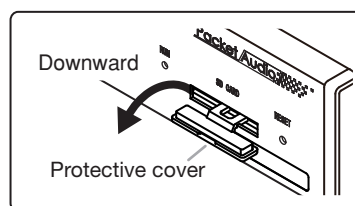
Either flashes or lights when a failure or communication error occurs.

### 8. RUN indicator (Green)

Flashes when the NX-300 is operating normally, and either continuously lights or extinguishes when a malfunction is detected.

### 9. SD card insertion slot

Remove the protective cover by pulling it downward as shown in the figure below, and fully insert the SD card into the slot with the card's label facing upward.



#### Note

The protective cover cannot be detached from the NX-300.

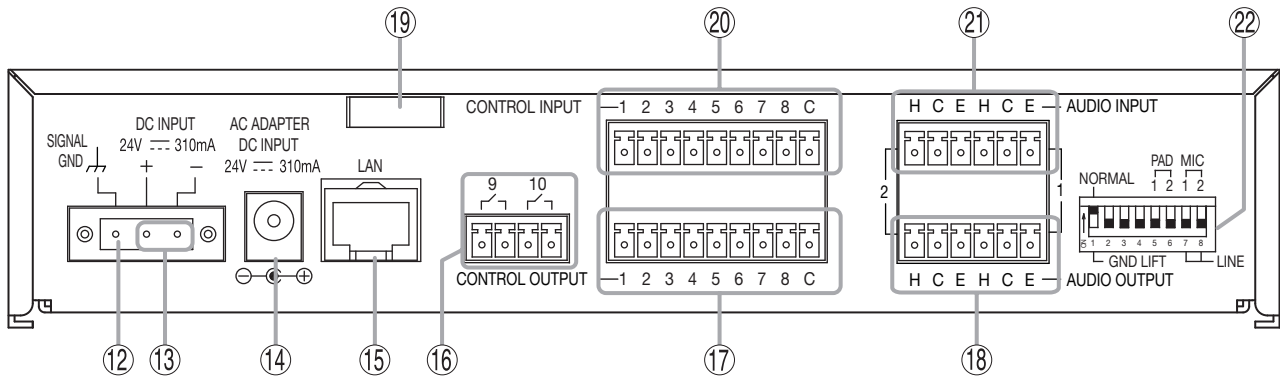
### 10. MAC address

The unit's MAC address consists of 12 hyphenated alphanumeric characters.

### 11. Reset button

Restarts the unit when pressed.

## [Rear]



### 12. Signal GND terminal

Be sure this terminal is securely grounded.

**Note:** This terminal is not for protective ground.

### 13. DC power input terminal

A 24 V DC input.

### 14. AC adapter terminal

Connects to the optional AD-246 AC Adapter or the equivalent.

As for the usable adapter, consult your TOA dealer.

### 15. Network connection terminal

Connects to 10BASE-T or 100BASE-TX networks. (RJ-45 Ethernet jack)

### 16. Control output terminal (9, 10)

Relay contact outputs (withstand voltage: 30 V DC, control current: 0.5 A maximum).

### 17. Control output terminal (1 – 8)

An open collector output (withstand voltage: 30 V DC, control current: 50 mA maximum).

### 18. Audio output terminal

0 dB\*, under 600 Ω, balanced type.

Provide audio signals of line signal level.

H: Hot, C: Cold, E: Earth (shield)

### 19. Cord clamp

Pinches and securely holds the AC adapter cord to prevent its plug from detaching.

### 20. Control input terminal

No-voltage make contact input (short-circuit current: under 2 mA; open-circuit voltage: 24 V).

### 21. Audio input terminal

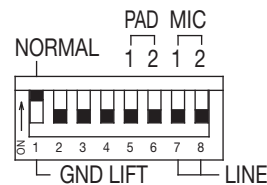
–20 dB\* for line signal level, –60 dB\* for microphone signal level, 2 kΩ, balanced/unbalanced switchable. Receive audio signals of microphone or line signal level.

H: Hot, C: Cold, E: Earth (shield)

### 22. DIP switch for equipment settings

Used when performing audio input settings.

#### [Default DIP switch setting]



#### •Switch 1

##### Ground lift selection switch (NORMAL/GND LIFT)

A ground loop can potentially be created when the NX-300 is connected to other equipment, resulting in a hum noise. Ground loops can be cut off by setting this switch to GND LIFT (lower position). Settings are common to both Audio Inputs 1 and 2. This switch is factory-preset to NORMAL (upper position).

#### •Switches 2 – 4

Not used.

These switches are factory-preset to OFF (lower position). Always keep them switch to the OFF (lower position).

#### •Switches 5, 6

##### Audio input pad setting switch (PAD)

Enables or disables the audio input pad (–16 dB). When the input level is large, set the PAD to ON (upper position). These switches are factory-preset to OFF (lower position). Switch 5 (PAD 1) corresponds to Audio Input 1 and Switch 6 (PAD 2) corresponds to Audio Input 2.

#### •Switches 7, 8

##### Audio input level selection switch (MIC/LINE)

Set these switches to MIC (upper position) when a microphone is connected, and to LINE (lower position) in other cases.

These switches are factory-preset to LINE (lower position). Switch 7 (MIC 1) corresponds to Audio Input 1 and Switch 8 (MIC 2) corresponds to Audio Input 2.

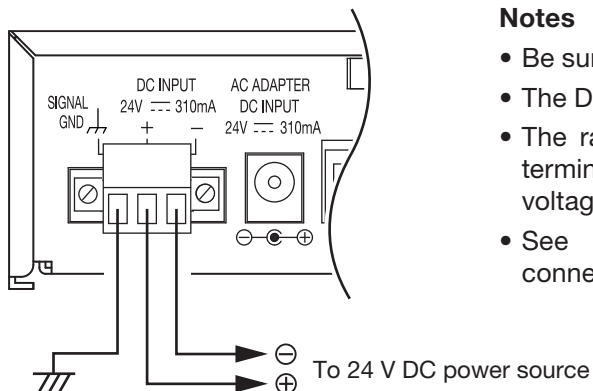
\* 0 dB = 1 V

## 8. CONNECTIONS

### 8.1. Power Source Connections

#### 8.1.1. When using a 24 V DC power source

Connect a 24 V DC power source to the unit's DC power input terminal.



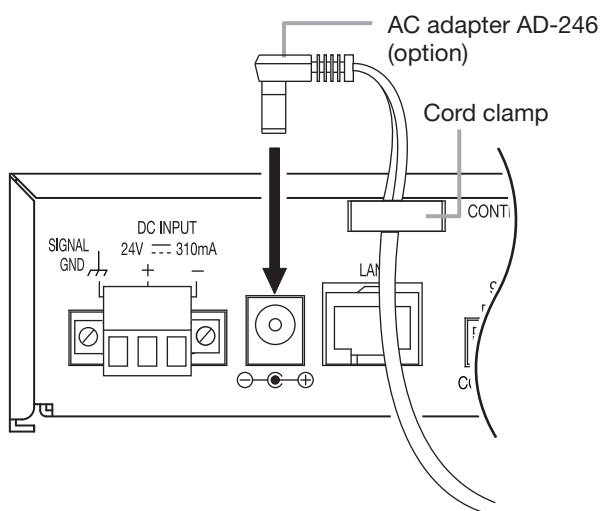
#### Notes

- Be sure the signal GND terminal is securely grounded.
- The DC power supply must have a capacity of over 400 mA.
- The range of input voltage to be fed to the DC power input terminal should be between 21.6 V and 26.4 V DC. If the input voltage is out of this range, the unit may malfunction or fail.
- See p. 16, "Removable Terminal Plug Connection," for connector connection procedures.

#### 8.1.2. When using the AC adapter

Connect the AC adapter\* to the unit's AC adapter terminal. Pinch the cord with a clamp and securely fix it.

\* Use the optional AC adapter AD-246 or the equivalent. As for the usable adapter, consult your TOA dealer.



#### Note

Be sure the signal GND terminal is securely grounded.

#### Tip

If power is sent to both the AC adapter terminal and DC power input terminal, power is supplied to the NX-300 from the terminal having the higher voltage.



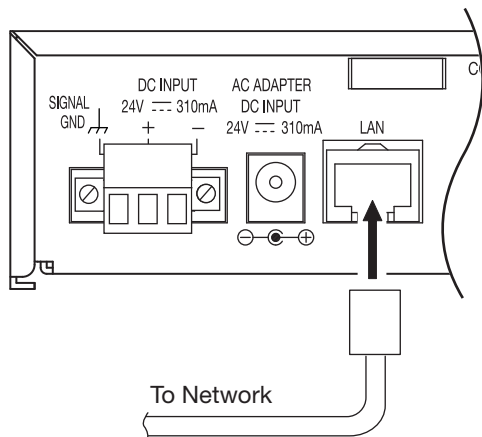
## CAUTION

For AC adapters, use an optional AD-246 Adapter or the equivalent. The use of other adapters could result in a fire or other possible damage.

## 8.2. Terminal Connections

### 8.2.1. Network connections

The NX-300 automatically distinguishes between 10BASE-T and 100BASE-TX networks, and establishes a connection. For this connection, use a "straight" UTP Category 5 or greater LAN (Ethernet) cable fitted with an RJ-45 connector.

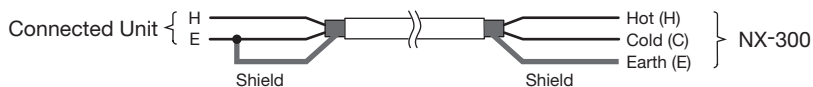


**Tip**  
It is recommended that the unit be connected to network equipment capable of performing full-duplex communications.

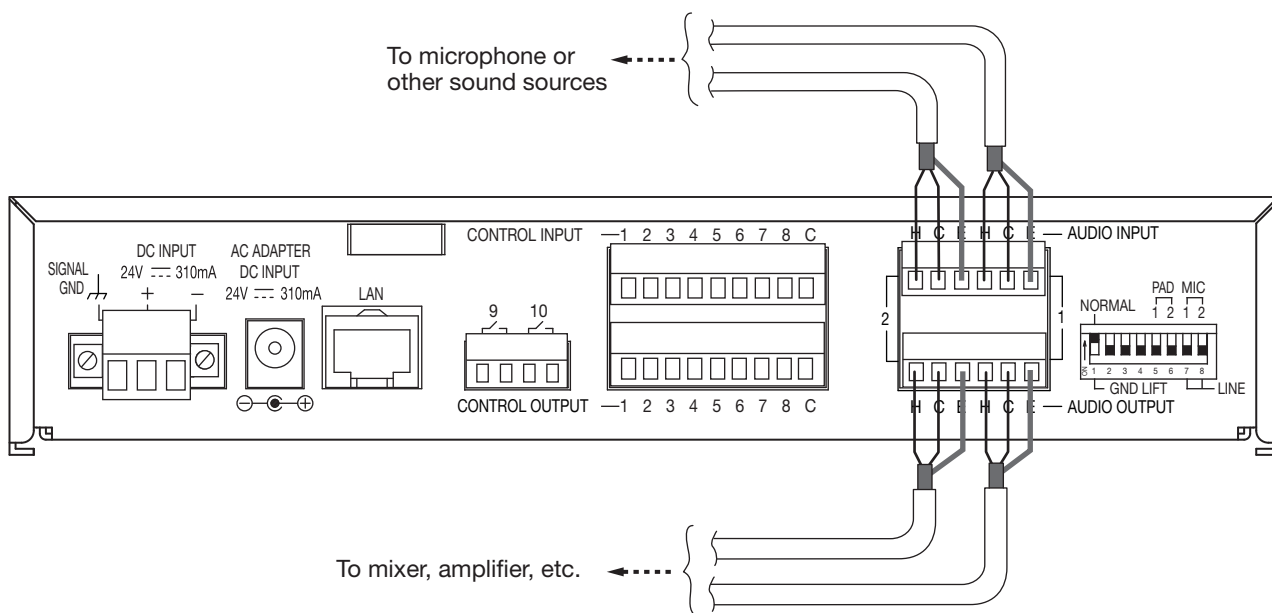
### 8.2.2. Connections to audio input and output terminals

See p. 16, "Removable Terminal Plug Connection," for audio input and output terminals connection procedures.

When the connected unit has an unbalanced input, make the connections as follows:



- **Audio input terminal connections**  
Connect the microphone or other sound sources using 2-core shielded cable.



- **Audio output terminal connections**  
Connect the mixer, amplifier, etc. using 2-core shielded cable.

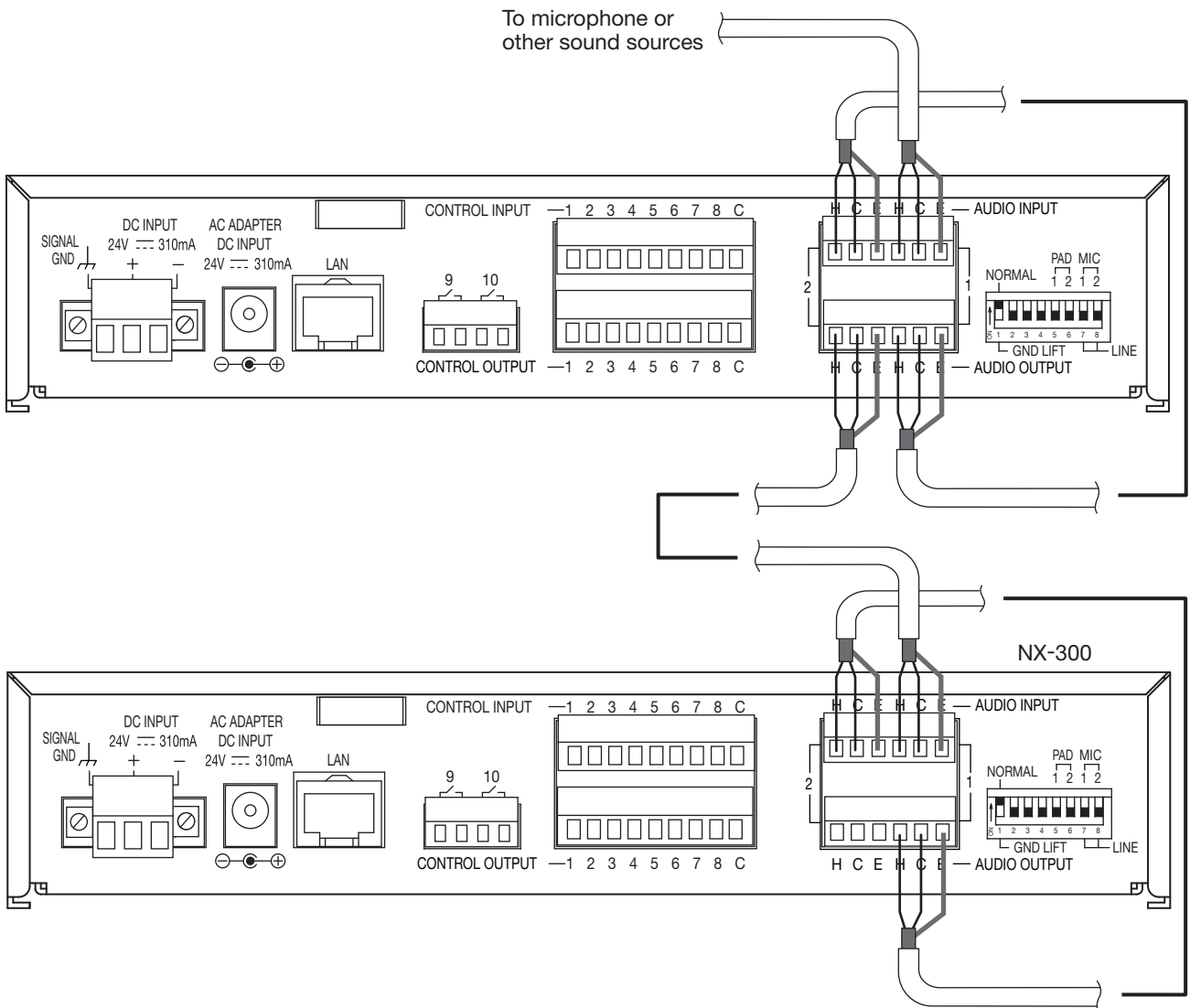
**[When transmitting audio from one sound source to multiple channels]**

To use the same sound source between channels or NX-300 units through the NX-300's audio input terminal, perform connections as shown below using the Bridge Out Function\*.

This type of connection is required in the following cases:

- Broadcasting to multiple destinations in excess of the maximum number of locations that can receive broadcasts per channel.
- Using multiple broadcasting patterns for the same sound source.

\* A function that always provides the same audio signal as the audio input from the audio output.  
 The connection method shown in the figure is an example. For more information on the Bridge Out Function, see Chapter 6 of the separate Installation Setup manual.



**Note**

Since the attenuation per 1-channel passage changes depending on the NX-300's input settings, use care when connecting multiple units.

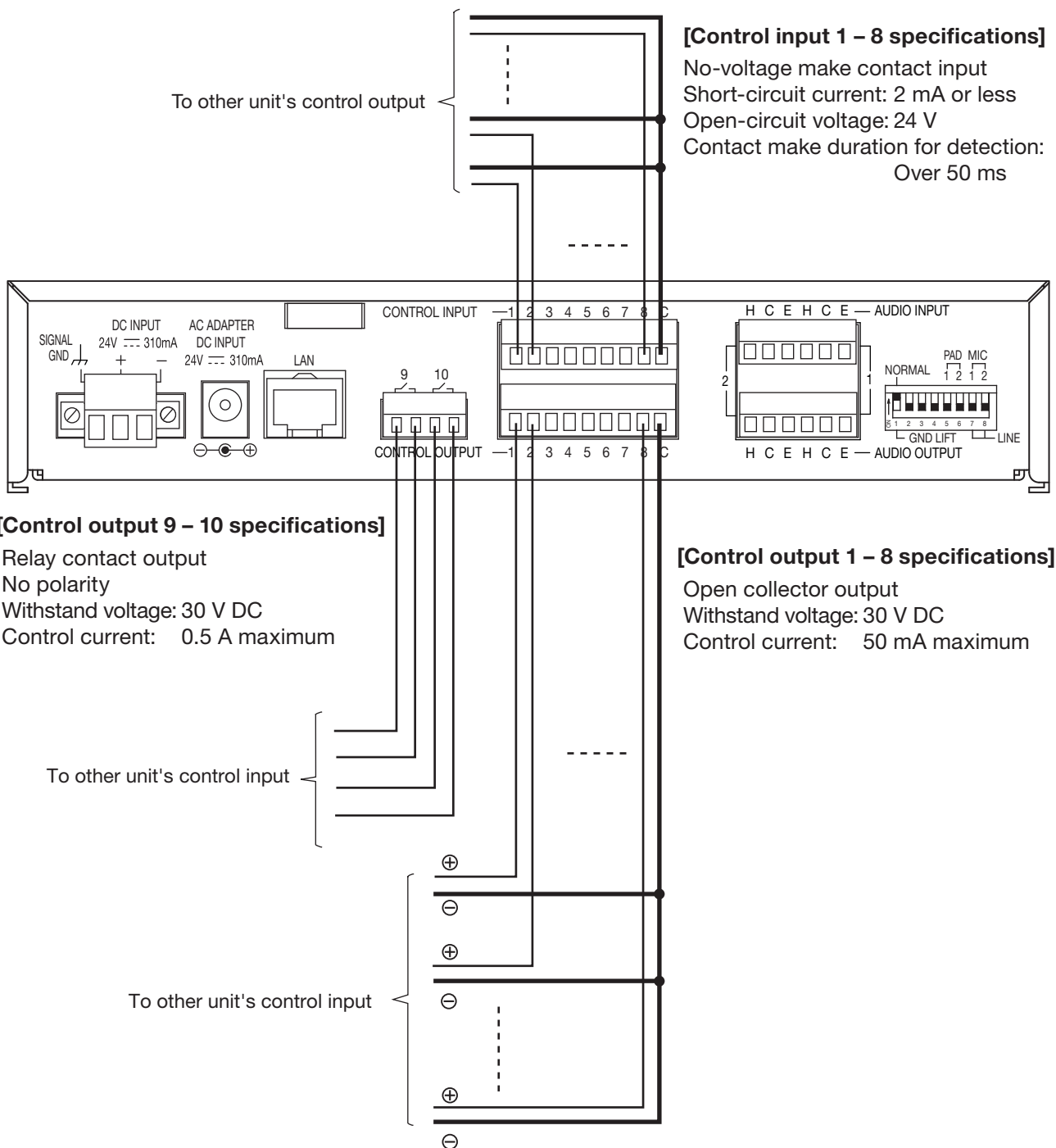
- In the case of unbalanced input settings: 0 dB
- In the case of balanced input settings: -2 dB

### 8.2.3. Connections to control input and output terminals

Connect the control input and output terminals of all other connected units using 2 control lines.

**Note**

Be sure to connect only these control lines to other unit's control input terminals.  
Connecting in parallel with control lines from other equipment may cause the unit to malfunction.



**Tip**

See p. 16, "Removable Terminal Plug Connection," for control input and output terminals connection procedures.

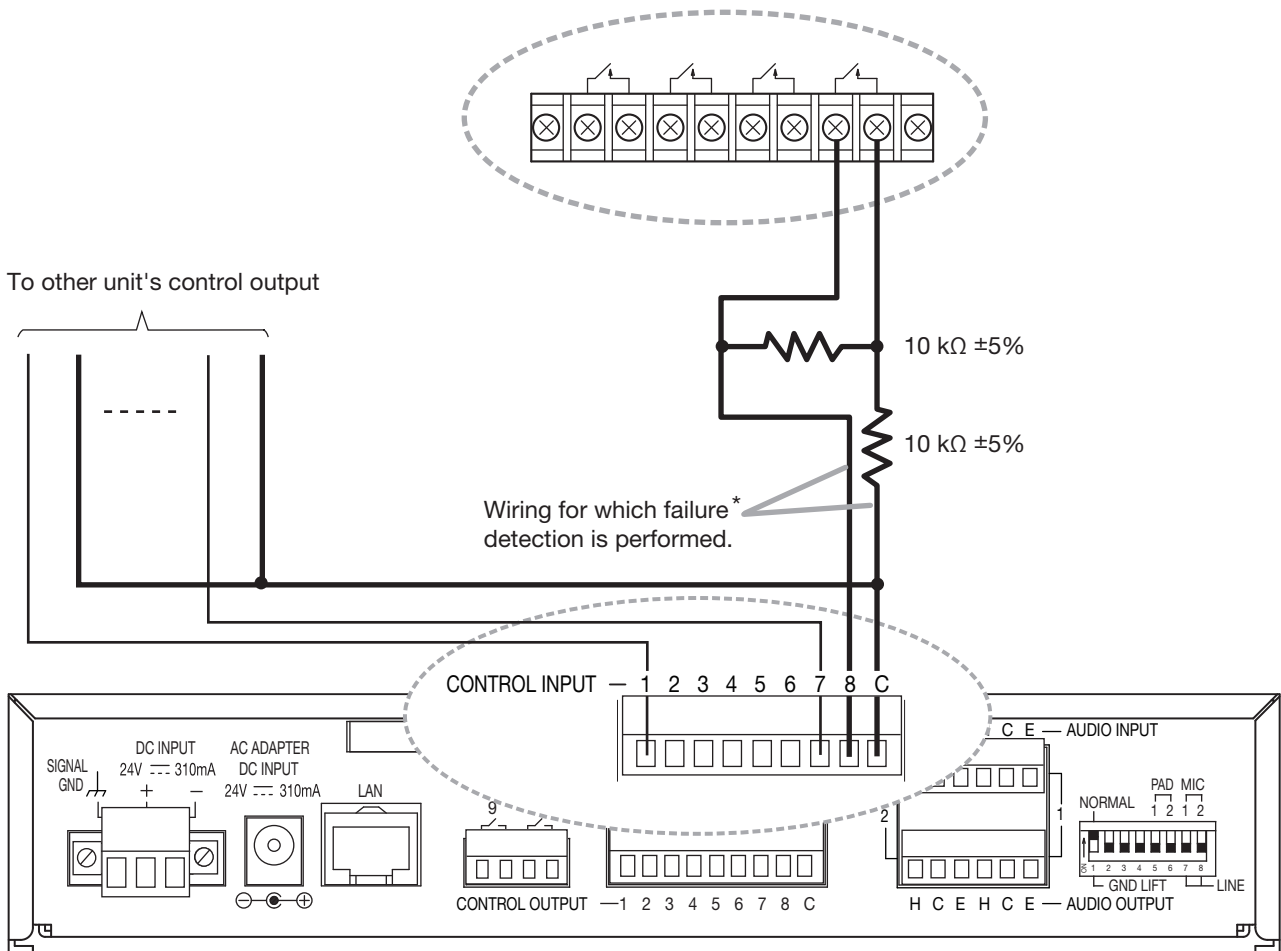
**[Control input connection for failure detection]**

The function of detecting failures in wiring with external control output equipment can only be set to control input terminal 8. For wiring for which failure detection is performed, insert resistors as shown below:  
 For instructions on setting the failure detection function to the control input terminal, see the chapter, "CONTROL INPUT SETTINGS" in the separate Installation Setup manual.

**Notes**

- Be sure to connect resistors as shown in the figure below. The failure detection function will not work correctly if no resistors are connected, or if resistors of different values from those specified are used.
- To ensure stable NX-300 operation, it is recommended that failure detection wiring be made independent from that of control input terminals 1 – 7, for which shielded twisted pair cables shorter than 10 m (32.81 ft) should be used.
- Connect the cable's shielded wire to the NX-300's signal GND terminal.

Control output terminals for which failure detection is performed.



\* Only control input terminal 8 supports the control input failure detection function.

### 8.3. Removable Terminal Plug Connection

#### Step 1. Wiring the supplied removable terminal plug.

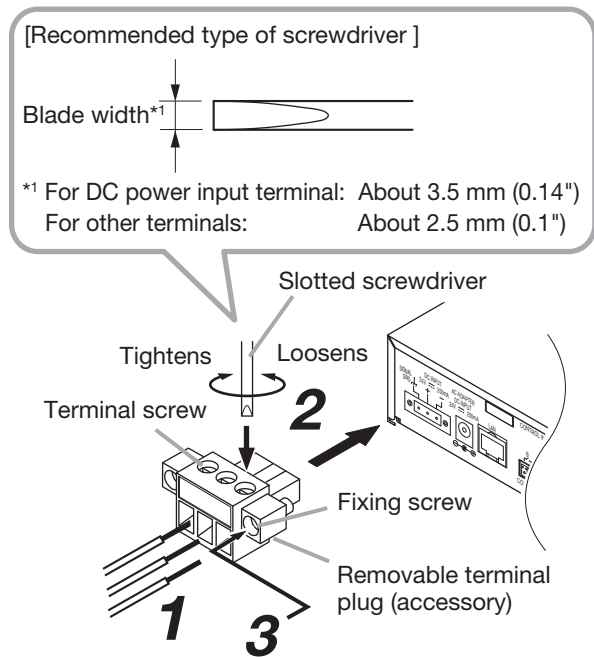
- 1-1. Loosen the terminal screws to insert the wire.
- 1-2. Tighten the terminal screws.  
Ensure that the wire does not break free when pulled. If the wire does pull free, repeat the connection procedure from the start.

#### Step 2. Insert the wired terminal plug into the corresponding terminal block in the unit's rear panel.

#### Step 3. Tighten the fixing screw (DC power input terminal only).

#### Notes

- Do not reverse Steps 1 and 2 above. Poor contact may result if force is applied to the unit's internal circuit board pins while the terminal screws are being tightened.
- When detaching the terminal plug, pull it straight out. Pulling it out at an angle may cause the terminal plug or terminal block to break.



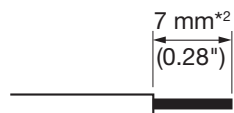
#### Tips

- Applicable cable size

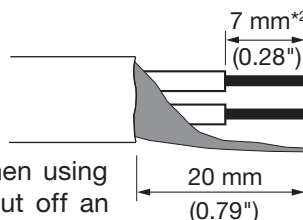
	For DC power input terminal	For other terminals
Conductor cross-section area	0.2 – 2.5 mm <sup>2</sup>	0.14 – 1.5 mm <sup>2</sup>
AWG	AWG 24 – 12 or equivalent	AWG 28 – 16 or equivalent

- Cable sheath to trim

Solid cable and stranded cable



Shielded cable



\*2 Expose 8 mm (0.31") or more when using the above ferrule terminal, and cut off an extra conductor protruding from the sleeve.

#### Note

Avoid soldering stranded or shielded cable, as contact resistance may increase when the cable is tightened and the solder is crushed, possibly resulting in an excessive rise in joint temperatures.

- When connecting 2 cables or a shielded cable to a single terminal, use a ferrule terminal with an insulation sleeve to crimp the cables because such cable conductors could become loose.

#### (1) Recommended ferrule terminals for cables other than power supply cables

(made by Phoenix Contact)

Unit: mm (in)

	Model Number	a	b	l <sub>1</sub>	l <sub>2</sub>
①	AI 0,34-8 TQ	2 (0.08)	0.8 (0.03)	12.5 (0.49)	8 (0.31)
②	AI 0,5-8 WH	2.5 (0.1)	1.1 (0.04)	14 (0.55)	8 (0.31)

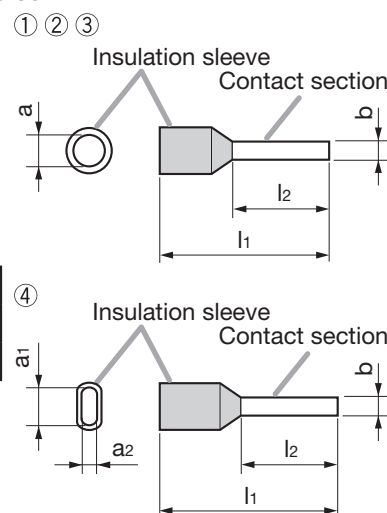
#### (2) Recommended ferrule terminals for power supply cables

(made by Phoenix Contact)

Unit: mm (in)

	Model Number	a	a <sub>1</sub>	a <sub>2</sub>	b	l <sub>1</sub>	l <sub>2</sub>
③	AI 1,5-8 BK	3.4 (0.13)	—	—	1.8 (0.07)	14 (0.55)	8 (0.31)
④	AI-TWIN 2 x 1,5-8 BK	—	6.6 (0.26)	3.6 (0.14)	2.3 (0.09)	16 (0.63)	8 (0.31)

Crimping tool: CRIMPFOX 10S (made by Phoenix Contact)





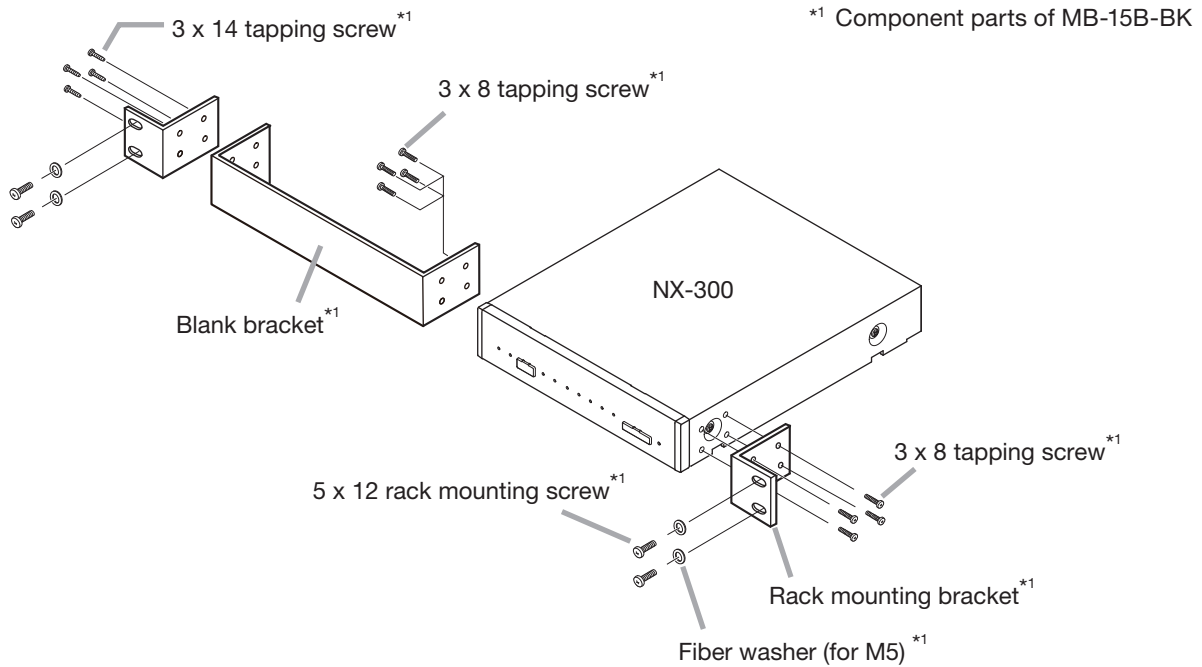
## 9. INSTALLATION

### 9.1. Rack Mounting

Use the optional mounting hardware set when installing the unit in an equipment rack.

#### 9.1.1. When mounting a single unit

Use the optional MB-15B-BK hardware set when mounting a single unit.

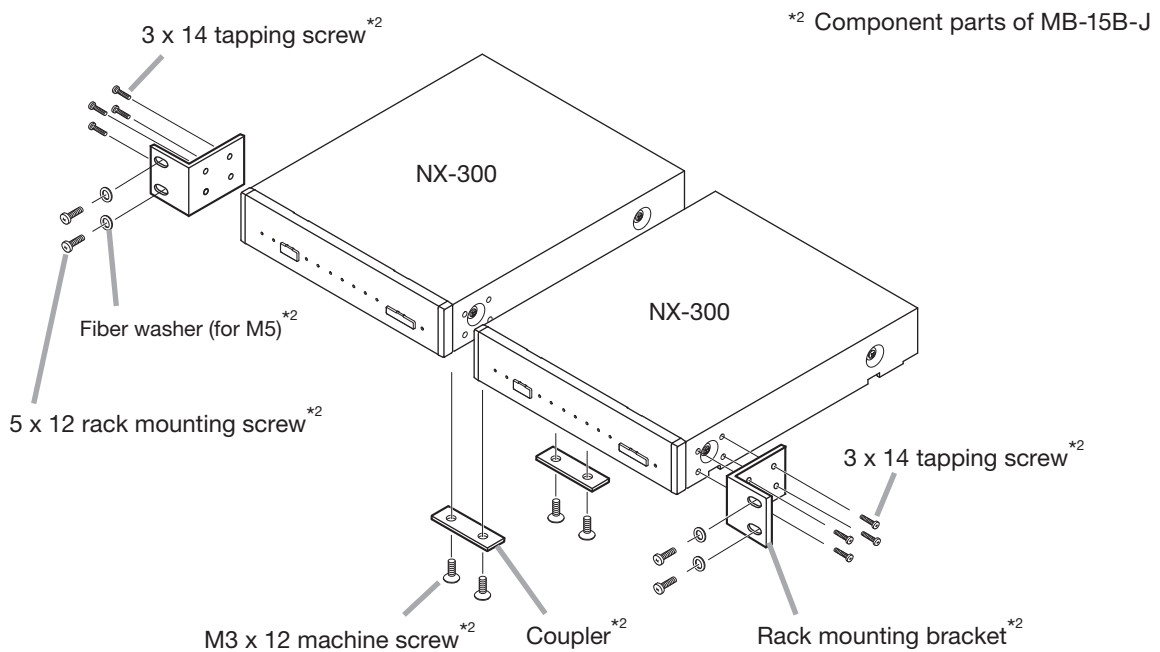


#### 9.1.2. When mounting 2 units

Use the optional MB-15B-J hardware set when mounting 2 units.

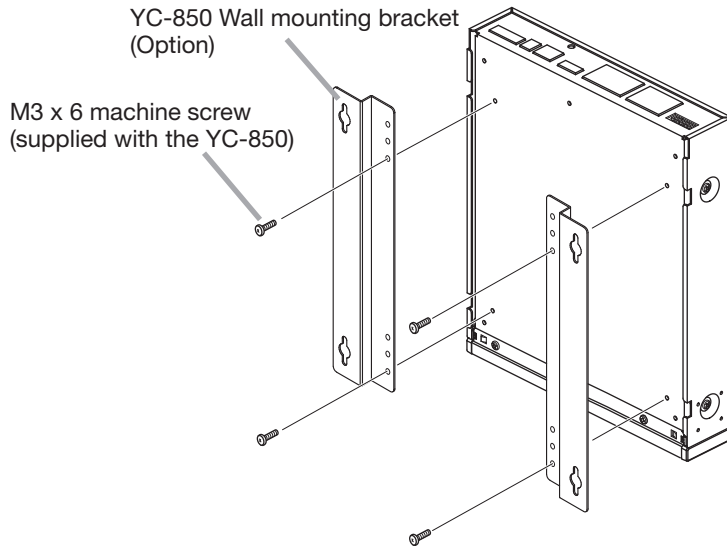
#### Note

The NX-300 and other equipment cannot be linked together and mounted in a rack using the MB-15B-J.



## 9.2. Wall Mounting

**Step 1.** Install the optional YC-850 Wall Mounting Bracket to the NX-300.

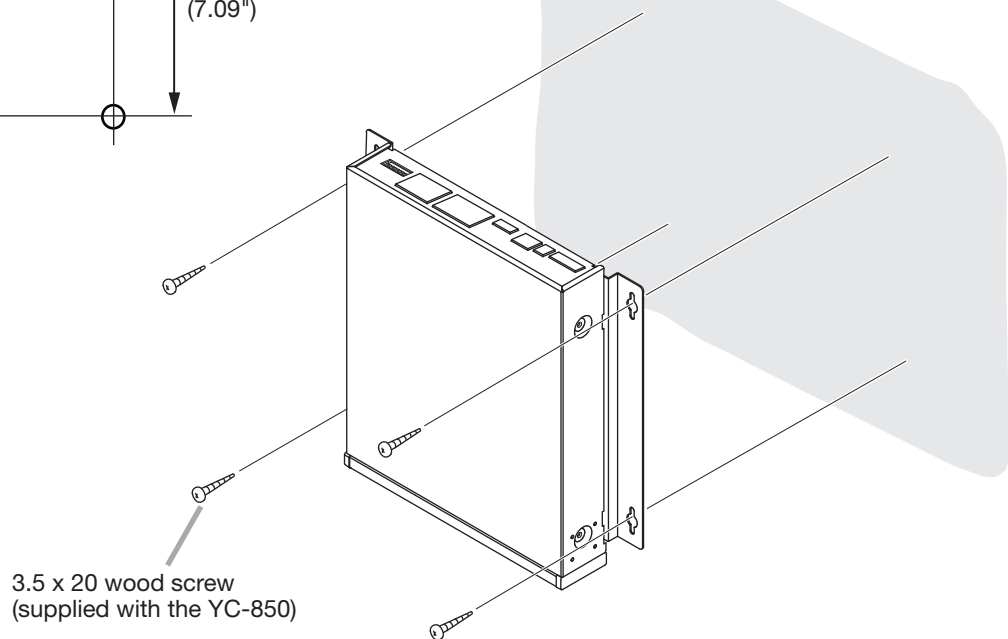
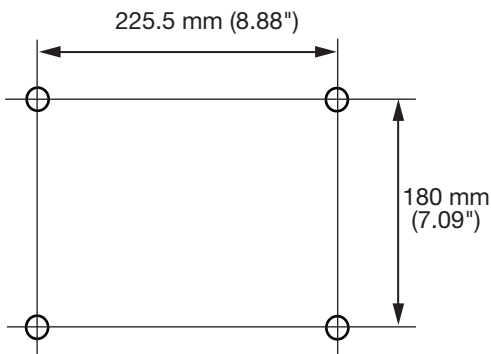


**Step 2.** Mount the NX-300 on the wall.

### Notes

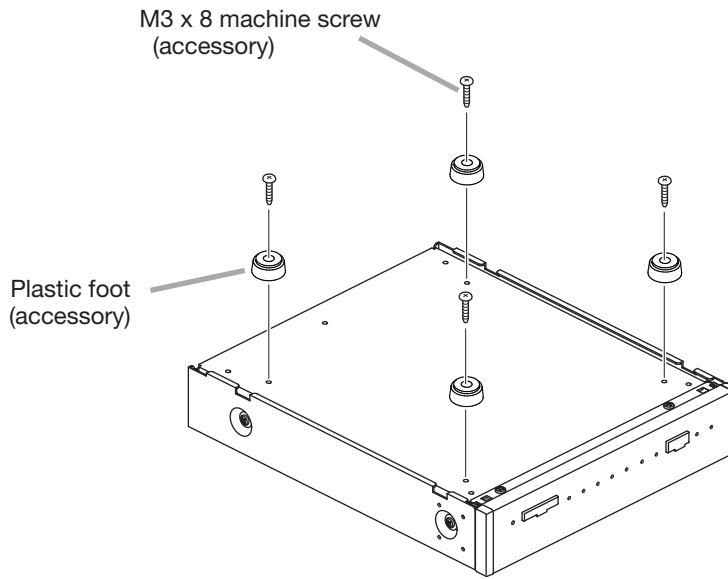
- Use appropriate screws for the construction of wall.
- 3.5 x 20 wood screws are supplied with the YC-850.

### [Wall mounting dimensions]



### 9.3. Desk-Top Installation

When installing the NX-300 on a desk, secure the supplied plastic feet to the unit's bottom using the supplied machine screws.

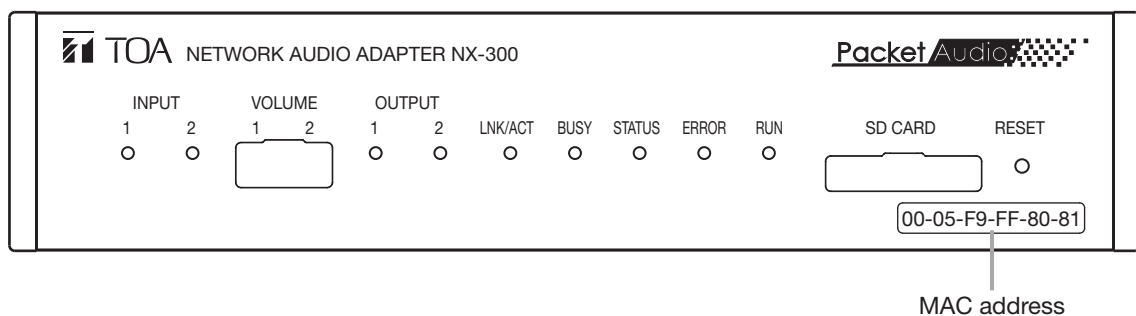


## 10. BEFORE SETUP

### 10.1. MAC Addresses and Installation Locations

When making the unit's network settings, the unit's MAC address\* must have a clear association with its corresponding installation location. Be sure to record the relationship during installation to facilitate later network settings.

\* An address inherently assigned to and unique to a networking device, consisting of 12 hyphenated alphanumeric characters.

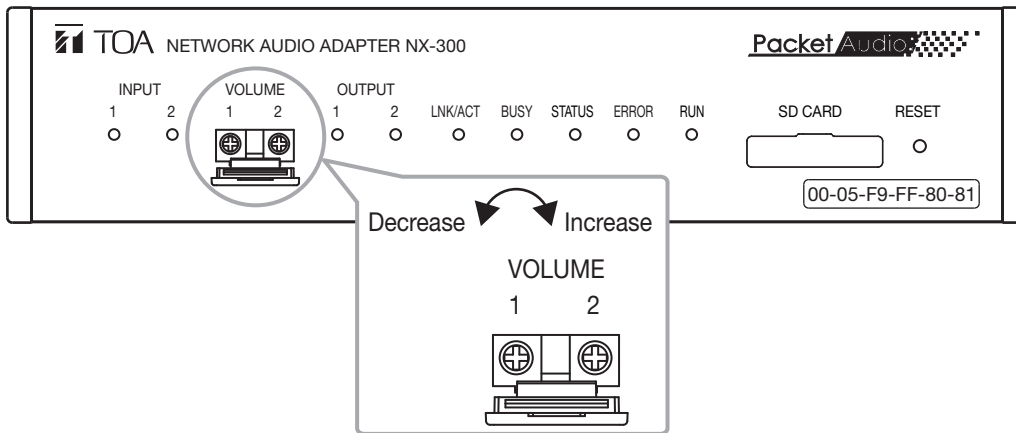


## 10.2. Input Level Adjustment

Use the input volume control (VOLUME) to adjust the audio input level. Rotating the adjuster clockwise as shown in the figure increases the level and rotating it counterclockwise decreases the level. Adjust the level so that the input indicator lights green, and not red.

### Note

Rotate the input volume control screw using an appropriate screwdriver. When rotating, do not press on the screwdriver with too much force, so as to avoid damage to the adjuster.



## 10.3. Recommended PC Requirements

The following minimum PC specifications are recommended in order to correctly operate the NX-300's software programs.

OS: Windows 7 Home Premium, Windows 7 Professional, Windows 8.1, Windows 8.1 Pro, Windows 10 Home, Windows 10 Pro  
Required Component: Microsoft .NET Framework 4.5.2 (in the case of Windows 7 or Windows 8.1)  
CPU: 1 GHz or greater  
RAM: 1 GB or greater (32-bit) or 2 GB or greater (64-bit)

### Notes

- Microsoft and Windows are the registered trademarks of Microsoft Corporation in the United States and other countries.
- Regarding other company names and products, they are also trademarks of individual companies.

### Traceability Information for Europe

Manufacturer:  
TOA Corporation  
7-2-1, Minatojima-Nakamachi, Chuo-ku, Kobe, Hyogo,  
Japan

Authorized representative:  
TOA Electronics Europe GmbH  
Suederstrasse 282, 20537 Hamburg,  
Germany

