

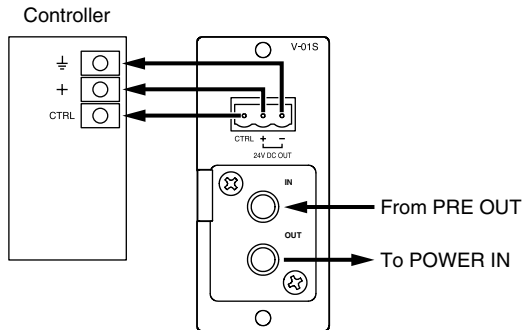
1. GENERAL DESCRIPTION

The V-01S is a plug-in type VCA module designed to be used in conjunction with TOA's 900 Series and BG-1000 Series amplifiers.

Its 3P terminal block is equipped with a 24 V output that supplies power to an external controller, and a control input. The gain between IN and OUT is set within the range of -100 to 0 dB referenced to the 0 – 10 V control voltage.

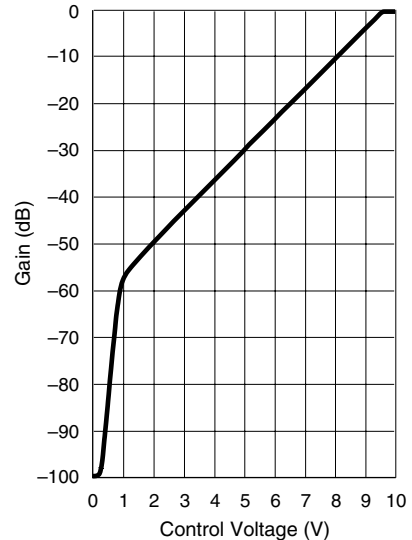
2. CONNECTIONS

Connect the external controller to the 3P terminal block. Connect the amplifier's PRE OUT to the IN terminal (RCA jack), and the amplifier's POWER IN to the OUT terminal (RCA jack).



3. SPECIFICATIONS

Variation characteristics (typical)



Input	10 k Ω (unbalanced)
Maximum Allowable Input	+14 dB* (5 Vrms)
Distortion	0.03% (1 kHz, 1 Vrms)
Frequency Response	20 – 20,000 Hz \pm 1 dB

* 0 dB = 1 V