



TS SERIES PORTABLE CONFERENCE SYSTEM

TS - 700 SYSTEM CONTROLLER

TS - 701 CHAIRPERSON STATION

TS - 702 DELEGATE STATION

TOA TS SERIES PORTABLE CONFERENCE SYSTEMS

are ideal for applications such as boardrooms, meeting halls and community buildings.

Compact, lightweight and easy to set up and operate, the TS Series is comprised of three main components: TS-700 System Controller, TS-701 Chairperson Station and TS-702 Delegate Station. The Chairperson/ Delegate Stations connect to the System Controller in a "daisy-chain" configuration using supplied cables.

The Chairperson and Delegate Stations include a built-in Speaker and detachable gooseneck microphone with a distinctive red LED for visual indication of the person speaking. Both stations have a Press On/Off Talk button and a recording output. The Chairperson Station also includes a Press-To-Talk Priority button that activates a single-tone chime and overrides all Delegate Stations.

The TS-700 System Controller includes inputs for an external microphone and two auxiliary sources plus line outputs for recording and external PA system connection. You can connect a up to 70 Chairperson/Delegate Stations to a single System Controller or a maximum of 140 Chairperson/ Delegate Stations using three System Controllers.

The TS Series Portable Conference System is backed with a five year warranty.



HIGHLIGHTS

- Compact, lightweight and portable – sets up in minutes!
- Simple push-lock connection using supplied cables
- Chairperson/Delegate Station Capacity:
 - 70 Stations (1 TS-700)
 - 105 Stations (2 TS-700)
 - 140 Stations (3 TS-700)
- Inputs for external sources such as microphones, mixers or music sources
- Recording Outputs on each station for personal recording
- Time-Out feature automatically turns off active microphones
- Detachable gooseneck microphone and built-in speaker on each station
- Distinctive red LED ring on microphone lights when station is active
- Press On/Off Talk button on each station
- Priority button on Chairperson station activates chime tone and overrides all Delegate stations
- Five year warranty

APPLICATIONS

- A/V Rentals
- Boardrooms
- City Councils
- Community Buildings
- Conference Facilities
- Educational Facilities
- Hotels
- Meeting Rooms
- Offices
- Public Forums
- School Boards
- Training Rooms



TS-700 System Controller

- Supplies DC power to up to (70) TS-701/702 stations
- Input jacks for one microphone and two auxiliary sources with adjustable volume control
- Selectable number of simultaneously active Delegate microphones (1, 2, 4 or 6)
- Automatic microphone shut-off (20 or 40 sec)
- Line output jacks for connecting external recording or sound reinforcement systems
- Separate volume controls for external microphone, auxiliary, line (for conference station's built-in speaker) and priority chime
- Optional rack-mount kit, model MB-23B-BK (2 RU)
- Five year warranty



TS-701 Chairperson Station

- Adjustable gooseneck condenser microphone
- Red ring LED on microphone lights when active
- Press-to-talk priority switch activates chime and overrides all Delegate stations
- Press-on/off talk button
- Recording output jack
- Quick-lock mini-connector
- Connection cable included
- Multiple simultaneous Chairperson Stations operation possible
- Five year warranty



TS-702 Delegate Station

- Adjustable gooseneck condenser microphone
- Red ring LED on microphone lights when active
- Press-on/off talk button
- Recording output jack
- Quick-lock mini-connector
- Connection cable included
- Five year warranty



YR-700 Extension Cable

- Allows remote location of TS-700 System Controller or TS-701/702 stations
- Five year warranty

Visit www.toaelectronics.com to download:

Installation Manual
Architect and Engineering Specifications
CAD Drawings



TS SERIES
PORTABLE CONFERENCE SYSTEM

Tel: 800-733-7088
Fax: 800-733-9766
www.toaelectronics.com

SPECIFICATIONS

TS-700 System Controller

Model No.	TS-700
Power Requirements	100/120 VAC, 50/60 Hz (selectable)
Power Consumption	Max. 135 W
Input	Microphone: -60 dBV, 600 Ω , unbalanced, phone jack AUX 1: -20 dBV, 10k Ω , unbalanced, phone jack AUX 2: 0 dBV, 600 Ω , unbalanced, phone jack Lines 1 & 2: 0 dBV, unbalanced, 8 pin mini socket
Output	Recording: -20 dBV, 10k Ω , unbalanced, phone jack, RCA jacks (2) Lines 1 & 2: 0 dBV, unbalanced, 8 pin mini socket Power Requirements: 35 VDC 1 A/line, 2 lines, 2 A in total
Control	Priority Speech Chime: Operation of TS-701's priority button activates a single tone chime Speaker Restriction: Number of simultaneously usable TS-702's can be set for 1, 2, 4 or 6
No. of Connectable Conference Stations	70 max., 35 stations per line, max. 140 stations when three system controllers are used together, two of which are expansion amplifiers and one is the system controller.
Operating Temperature Range	32° F to 104° F (0° C to +40° C)
Finish	Colored steel plate, semi-matte black
Dimensions (W x H x D)	8.27" x 3.48" x 12.44" (210 x 93 x 316 mm)
Weight	8.5 lbs. (3.9 kg)
Accessory	Power cord: 1
Optional Components	YR-700 Extension Cable (distance of 32.8' or 10 m)

TS-701 Chairperson Station and TS-702 Delegate Station

Model Nos.	TS-701 and TS-702
Power Requirements	35 VDC, less than 30 mA, supplied from system controller
Input	Gooseneck Microphone: Unidirectional back electret Condenser Microphone: -60 dBV, with LED, detachable type Line: 0 dBV, unbalanced, 8 pin mini socket
Output	Recording: -20 dBV, 10k Ω , unbalanced, mini-jack Lines: 0 dBV, unbalanced, 8 pin mini socket Internal Speaker: 130 Ω , 200 mW
Control	Talk Button (TS-701): Microphone, speaker on/off control by speech switch Priority Button (TS-701): Microphone, speaker on/off, other microphone cutoff and single-tone chime activation Speech Button (TS-702): Microphone, speaker on/off control by speech switch
Operating Temperature Range	32° F to 104° F (0° C to +40° C)
Finish	Base: ABS resin, semi-matte black Speaker: Metallic brown
Dimensions (W x H x D) (microphone excluded)	6.69" x 2.32" x 5.79" (170 x 59 x 147 mm)
Weight	1.23 lbs. (560 g) without connection cable
Accessory	Connection cable: 1 (1 m x 2 m)

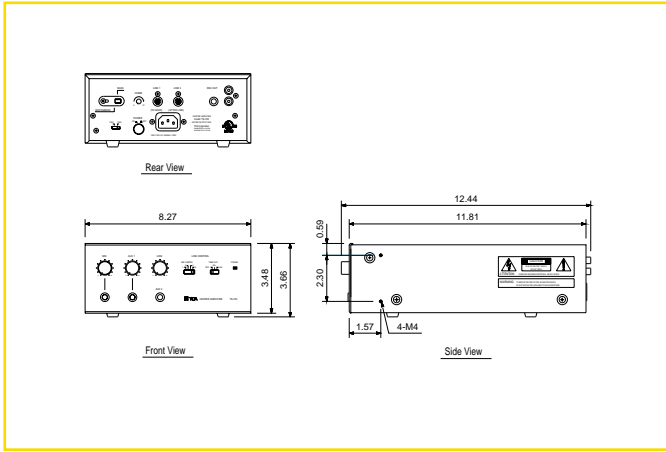


TOA ELECTRONICS, INC.
 601 GATEWAY BLVD., SUITE 300
 SOUTH SAN FRANCISCO, CA 94080
 TEL: 800-733-7088
 FAX: 800-733-9766
 www.toaelectronics.com

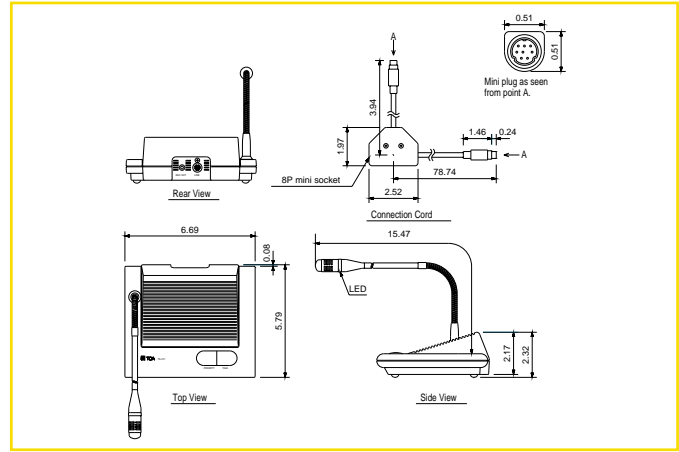
TS SERIES

PORTABLE CONFERENCE SYSTEM

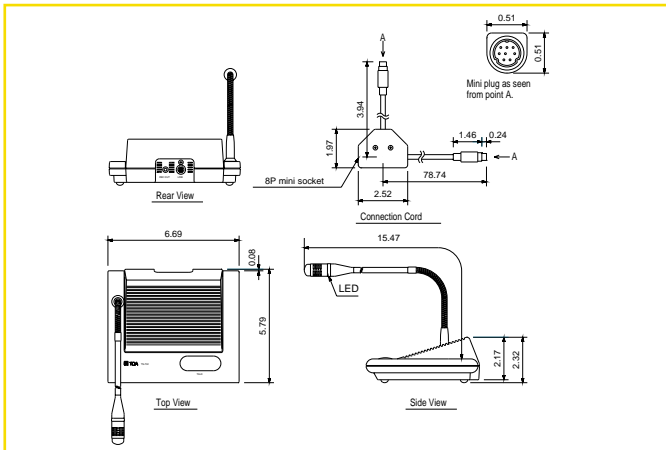
DIMENSIONAL DRAWINGS



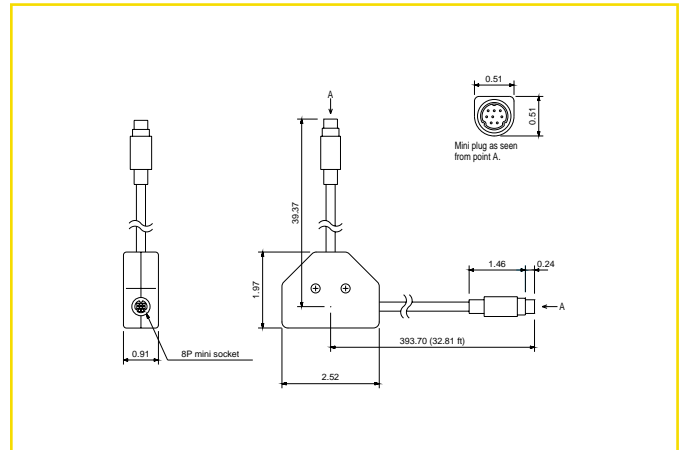
TS-700



TS-701



TS-702



YR-700

WIRING DIAGRAM

