

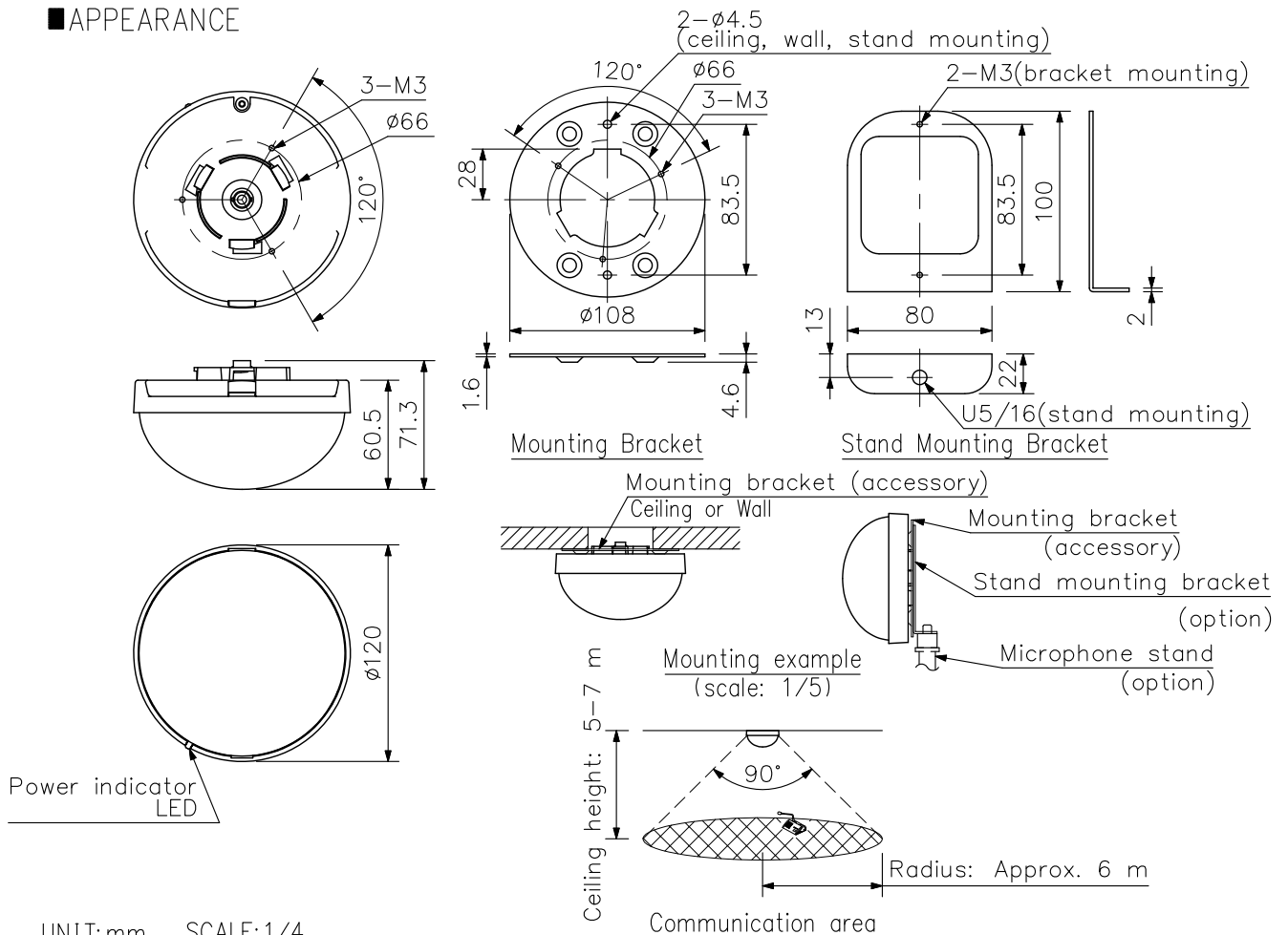
### DESCRIPTION

The TS-907 Infrared Transmitter/Receiver of the Infrared Conference system is designed for high ceiling applications. Since the system is cordless, it can be easily installed and removed. Communications between the TS-907 and conference units are performed by means of infrared signals and the TS-907 permits transmit and receive with the Central unit. It can be mounted not only to the ceiling and wall but on the microphone stand.

### SPECIFICATIONS

Power Source	24 V DC (supplied from the optional TS-900 or TS-800)
Current Consumption	Max. 180 mA
Infrared Emitter/Detector	
Wavelength	870 nm (AM: Brightness modulation)
Modulation Method	Frequency modulation
Carrier Frequency	Transmission: Audio channel 1: 7.35 MHz Audio channel 2: 8.10 MHz Audio channel 3: 8.55 MHz Audio channel 4: 9.15 MHz Control channel: 6.45 MHz Reception: Base language channel: 1.95 MHz Translation language channel: 2.25 MHz
Acceptance Angle	Vertical: 90° (45° + 45°), Horizontal: 360°
Emission Angle	Vertical: 90° (45° + 45°), Horizontal: 360°
Communication Area	Approx. 6 m in radius from the point underneath the unit (Ceiling height: 5 - 7 m)
Connection Terminal	BNC jack
LED Indicator	Power
Operating Temperature	0 °C to +40 °C
Finish	Dome: PC resin, visible light cut filter Base: ABS resin, black
Dimensions	ø120 x 71.3 (H) mm
Weight	230 g (unit only)
Accessory	Mounting bracket...1, Stand mounting bracket...1, Stand mounting bracket attaching screw...3, Thread Adapter (U5/16 - NS5/8)...1
Option	Microphone stand (The mounting thread size must be U5/16 or NS5/8.)

### APPEARANCE



UNIT:mm SCALE:1/4