

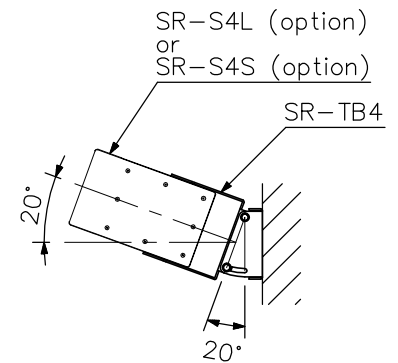
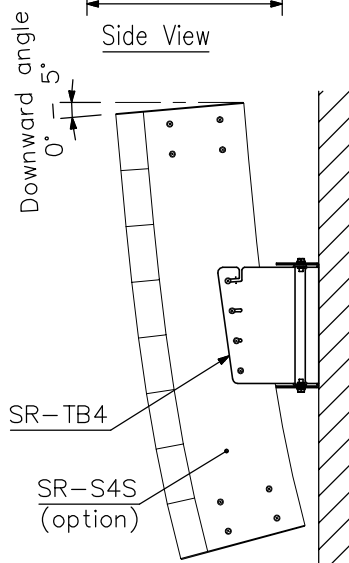
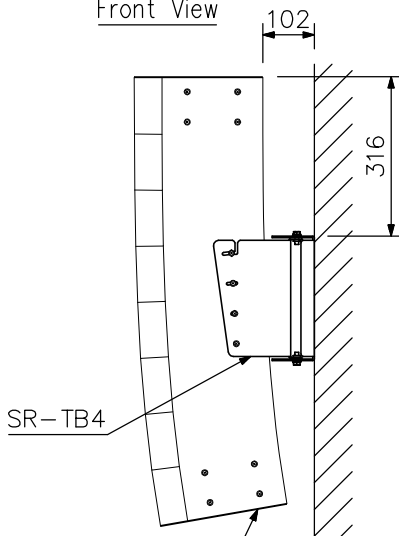
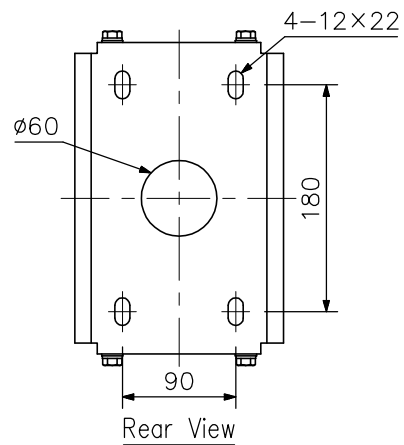
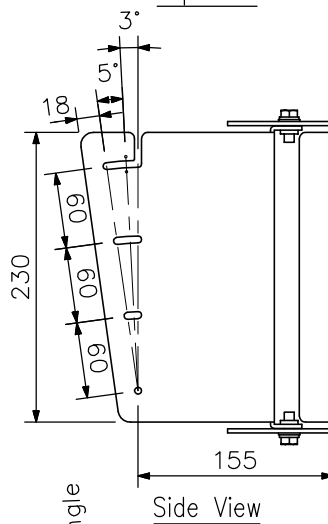
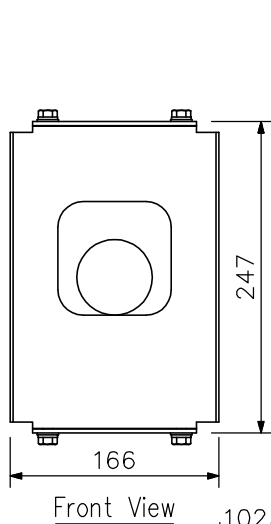
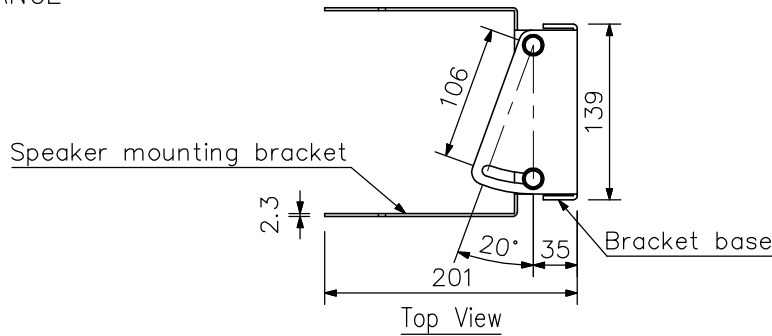
DESCRIPTION

The SR-TB4 is designed to be used to mount the Line Array Speaker system SR-S4L or SR-S4S on a wall. The downward angle can be set to 0° - 5°, and the horizontal angle to up to 20°.

SPECIFICATIONS

| | |
|----------------------------------|---|
| Number of Speakers to be Mounted | 1 |
| Finish | Steel plate, white, paint |
| Dimensions | 166 (W) × 247 (H) × 201 (D) mm (complete assembly) |
| Weight | 3.2 kg |
| Product Composition | Speaker mounting bracket ×1, Bracket base ×1 |
| Accessory | Bracket assembling screw (M8 upset head) ×4, Speaker mounting screw (M5 upset head) ×8 |

APPEARANCE



SR-S4L (option)
or SR-S4S (option)

Note: When using the SR-S4S Line array speaker, it can be tilted downward at an angle of 0° - 5°.

(View from the top)
Note: Installing the wall bracket shown in the figure permits the speaker to be tilted left at an angle of up to 20°. Reversing the top and bottom wall bracket positions shown in the figure permits the speaker to be tilted right at an angle of up to 20°.

Mounting example (scale: 1/15)

UNIT:mm SCALE:1/6