

WALL TILT BRACKET SR-TB4

The SR-TB4 is designed to be used exclusively to mount the SR-S4L or SR-S4S Line Array Speaker on a wall. It allows the speaker orientation angle to be adjusted to 5° max. vertically and 20° max. horizontally. The SR-TB4 is intended for indoor use. Never use it outdoor.

1. SAFETY PRECAUTIONS

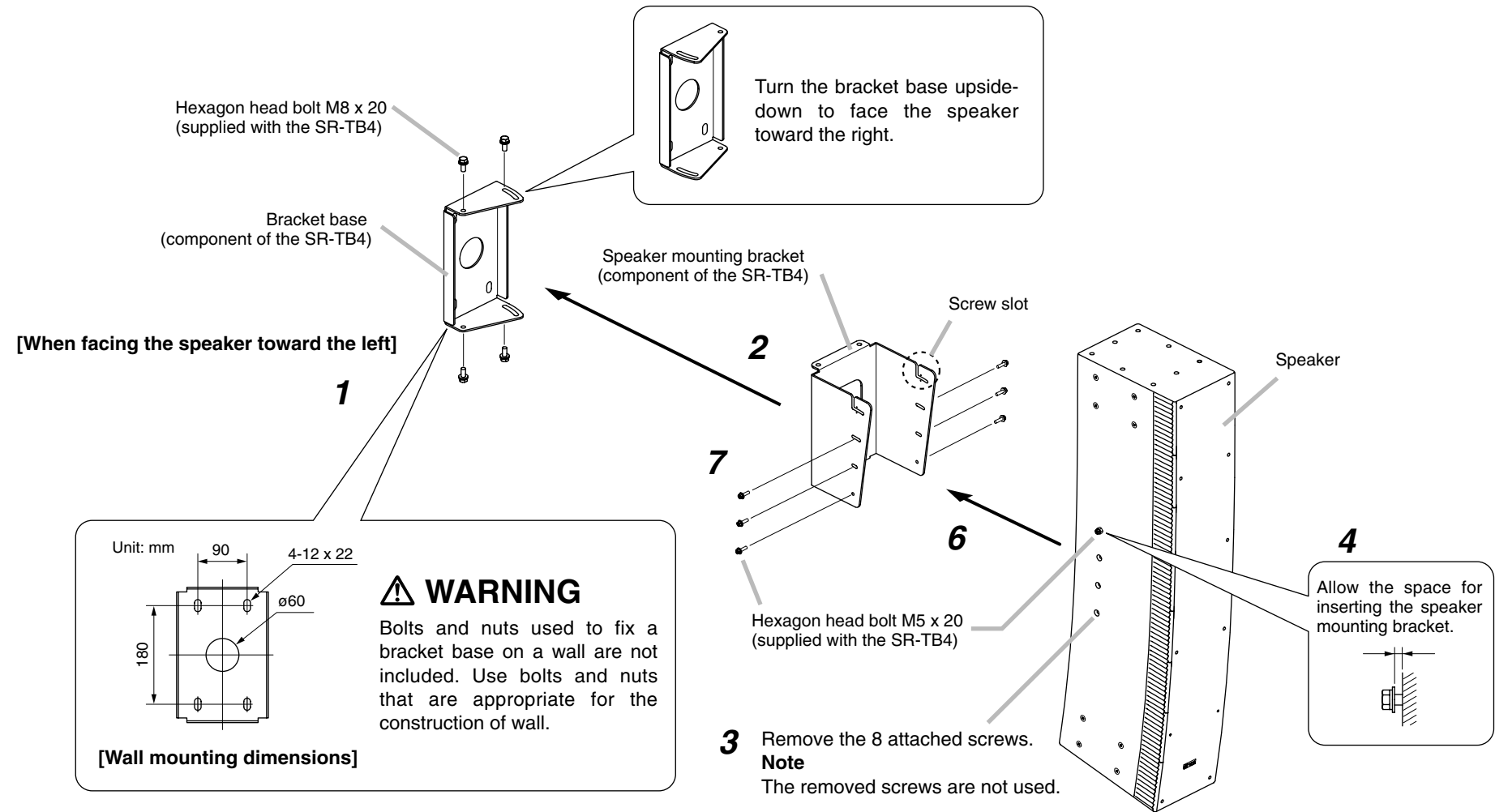
- Before installation or use, be sure to carefully read all the instructions in this section for correct and safe operation.
- Be sure to follow all the precautionary instructions in this section, which contain important warnings and/or cautions regarding safety.
- After reading, keep this manual handy for future reference.

⚠ WARNING
Indicates a potentially hazardous situation which, if mishandled, could result in death or serious personal injury.

- Refer all installation work to the dealer from whom the unit was purchased. Installation requires extensive technical knowledge and experience. The speaker may fall off if incorrectly installed, resulting in possible personal injury.
- Install the unit only in a location that can structurally support the weight of the unit and the speaker. Doing otherwise may result in the speaker falling down and causing personal injury and/or property damage.
- Owing to the speaker's size and weight, be sure that at least two persons are available to install the speaker. Failure to do so could result in personal injury.
- Do not use other methods than specified to mount the bracket. Extreme force is applied to the unit and the speaker could fall off, possibly resulting in personal injuries.
- Use nuts and bolts that are appropriate for the wall's structure and composition. Failure to do so may cause the speaker to fall, resulting in material damage and possible personal injury.
- Tighten each nut and bolt securely. Ensure that the bracket has no loose joints after installation to prevent accidents that could result in personal injury.
- Do not mount the unit in locations exposed to constant vibration. The mounting bracket can be damaged by excessive vibration, potentially causing the speaker to fall, which could result in personal injury.

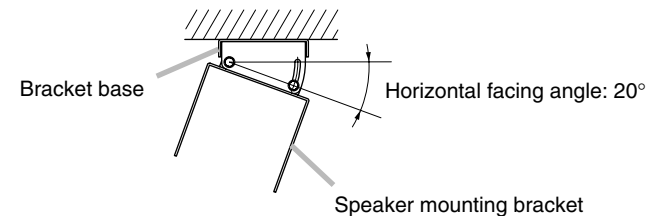
⚠ CAUTION
Indicates a potentially hazardous situation which, if mishandled, could result in moderate or minor personal injury, and/or property damage.

- Avoid touching the unit's sharp metal edge to prevent injury.
- Do not stand or sit on, nor hang down from the unit as this may cause it to fall down or drop, resulting in personal injury and/or property damage.
- Have the unit checked periodically by the shop from where it was purchased. Failure to do so may result in corrosion or damage to the unit that could cause the unit to fall, possibly causing personal injury.



2. INSTALLATION

- Step 1.** Install the bracket base on a wall. Determine the orientation of the bracket base depending on whether the speaker is to face left or right.
- Step 2.** Attach the speaker mounting bracket to the bracket base. Horizontal facing angle can be adjusted in the range of 0° to 20°.

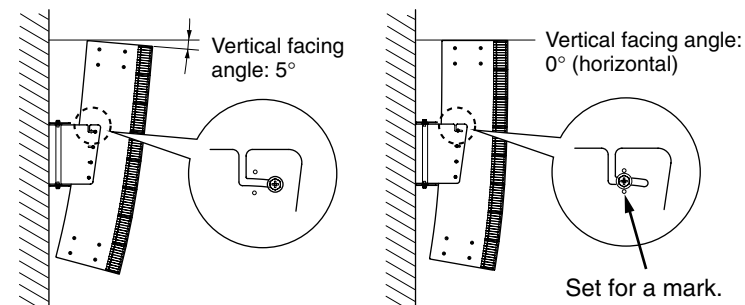


After the speaker's horizontal orientation has been determined, fix the speaker mounting bracket to the base.

Note
The speaker's horizontal orientation can be adjusted after the speaker has been installed.

- 1Step 3.** Remove the attached screws on both sides of the speaker.

- Step 4.** Fix the hexagon head bolts (one each on both sides) loosely to the position indicated in the figure above.
- Step 5.** Connect a speaker cable to the speaker.
- Step 6.** Insert the loosely fitted speaker bolts into the speaker mounting bracket's screw slots.
- Step 7.** Fix the hexagon head bolts (3 each on both sides) loosely to the speaker.
- Step 8.** Adjust the vertical angle, then securely tighten 8 loosely fitted speaker bolts. Vertical facing angle can be adjusted in the range of 0° (horizontal) to 5°.



3. SPECIFICATIONS

Number of Speakers to be Mounted	1
Finish	Steel plate, white, paint
Dimensions	166 (w) x 247 (h) x 201 (d) mm (complete assembly)
Weight	3.2 kg
Product Composition	Speaker mounting bracket 1, Bracket base 1

Note: The design and specifications are subject to change without notice for improvement.

- **Accessories**
Hexagon head bolt M8 x 20 (with washer) 4
Hexagon head bolt M5 x 20 (with washer) 8