

### DESCRIPTION

The S4.4-RX is a diversity tuner.

This is a PLL-synthesizer controlled double superheterodyne diversity tuner designed to be used with a UHF wireless system. It employs a compander noise reduction circuit to minimize the influence of ambient RF noise.

### SPECIFICATIONS

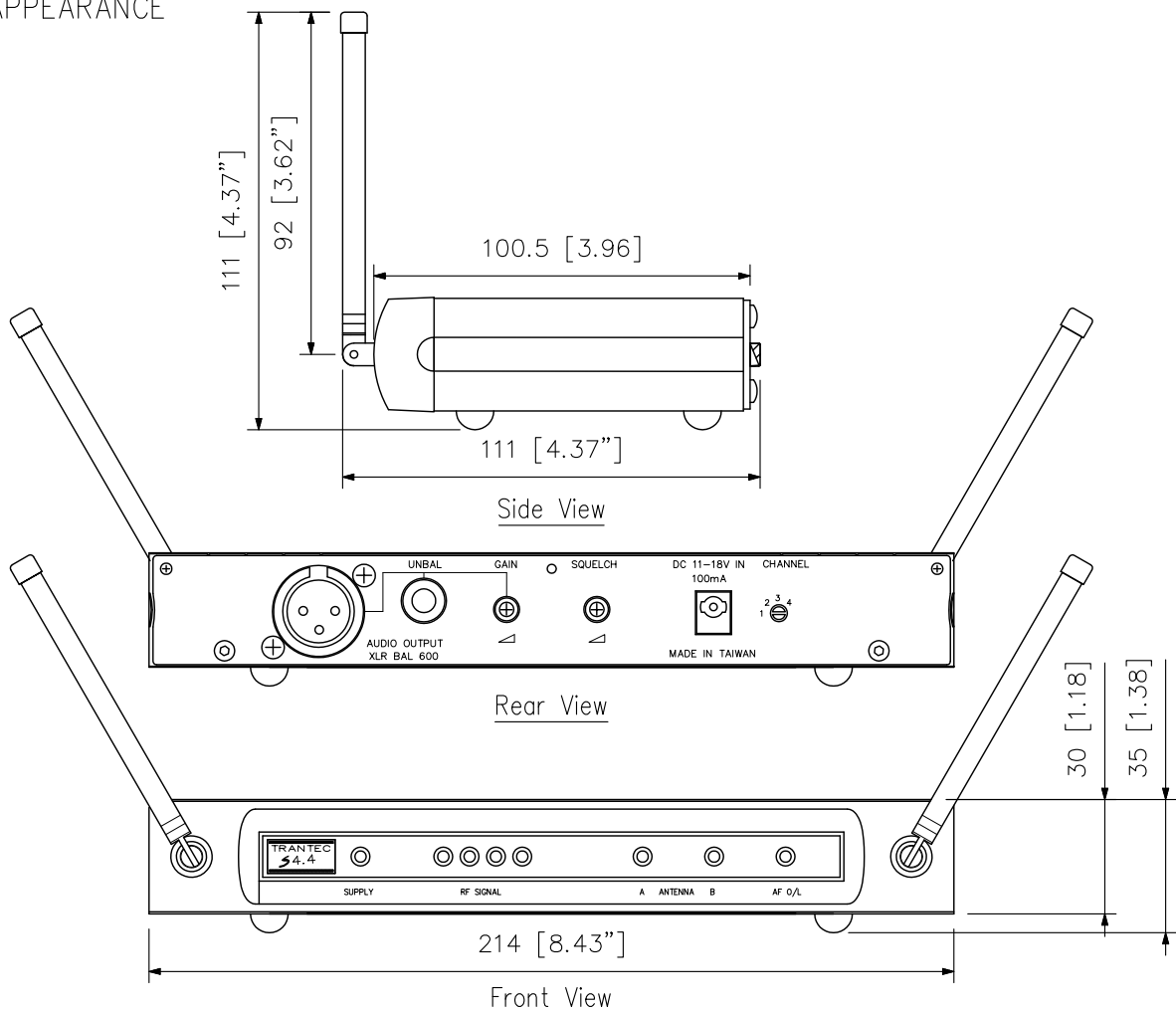
(\*2) 0 dB = 0.775 V

Power Source	AC mains (optional AC-DC adapter must be used)
Power Consumption	100 mA (12 V DC)
Receiving System	Double super-heterodyne
Frequency Range	863.150 - 864.850 MHz(*1)
Channel Selectable	4 channels
Audio Output	Balanced output: +16 dB(*2)(max.), 600 Ω, balanced, XLR-3-31 type connector Unbalanced output: +10 dB(*2)(max.), 600 Ω, unbalanced, phone jack
Antenna	Red Antenna
Receiving Sensitivity	90 dB or more, Signal to Noise ratio (20 dBμV input, 40 kHz deviation)
Squelch Sensitivity	18 - 40 dBμV variable
Indicator	ANT A/B, Audio (peak), RF level, Power
Signal to Noise Ratio	95 dB or more (A-weight, unbalanced output)
Harmonic Distortion	1 % or less (typical)
Frequency Response	100 Hz - 15 kHz, ±3 dB
Operation Temperature	-10 °C to +45 °C (14 °F to 113 °F)
Finish	Front panel: Resin, gray
Dimensions	214 (W) × 35 (H) × 100.5 (D) mm (8.43" × 1.38" × 3.96") (excluding antenna)
Weight	580 g (1.28 lb)

(\*1)

Version	Frequency Range
EA	863.150/863.725/864.150/864.850 MHz

### APPEARANCE



UNIT:mm SCALE:1/2