

SUBSTATION OPTION HANDSET

RS-480 RS-481

Note: For operation of the units, refer to the N-8000 series operating instructions.

1. GENERAL DESCRIPTION

The RS-480 is a substation to be connected to the N-8400RS Substation Interface Unit. The RS-481 is designed exclusively for indoor-use in combination with the RS-480. It also features handset conversation with the RS-480.

Warning

This is a class A product. In a domestic environment this product may cause radio interference in which case the user may be required to take adequate measures.

2. SPECIFICATIONS

[RS-480]

Call Button	Momentary (Emergency call: Press twice within 400 ms.)
Rated Input	1 W
Control Output	Open collector, Maximum controlled voltage: 30 V DC, Control current: 30 mA
Internal Speaker	Cone-type
Internal Mic	Electret condenser type
Indicator	When called: Status indicator (red) flashing In conversation: Status indicator (red) lit
Wiring	Twisted pair cables (2-pair)
Transmission Range	1000 m/ø0.5 mm (AWG24), 1500 m/ø0.65 mm (AWG22), 2000 m/ø0.9 mm (AWG19)
Operating Temperature	-10 to +50°C (Temperature range not to freeze the speaker and switch)
Housing Protection	BS EN62262: 2002: IK02 equivalent
Dust/Water Protection	IP54
Finish	Panel: Stainless steel, hairline Call button: Metal, silver Circuit board: Weather-resistant coating
Dimensions	120 (w) x 120 (h) x 50.5 (d) mm
Weight	575 g
Accessories	No.6-32UNC x 18 ... 4, Machine screw M4 x 25 ... 4
Applicable Box	2-gang electrical box: YC-302 (option)

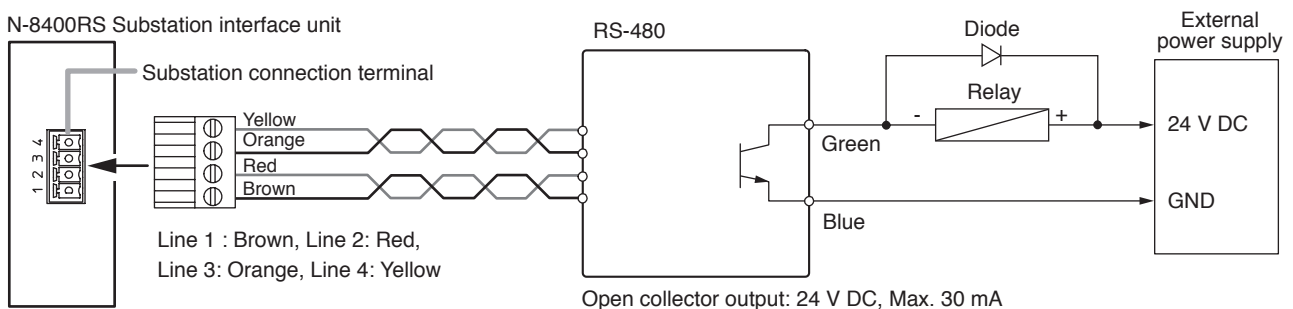
[RS-481]

Handset Receiver	Dynamic type
Handset Microphone	Electret condenser type
Handset Receiver	Slide volume
Volume Control	Maximum attenuation level: 12 – 18 dB
Operating Temperature	0 to +40°C
Finish	ABS resin, pale white
Dimensions	116 (w) x 220 (h) x 71 (d) mm
Weight	365 g
Accessories	No.6-32UNC x 18 ... 4, Machine screw M4 x 25 ... 4
Applicable Box	2-gang electrical box: YC-302 (option)

Note: The design and specifications are subject to change without notice for improvement.

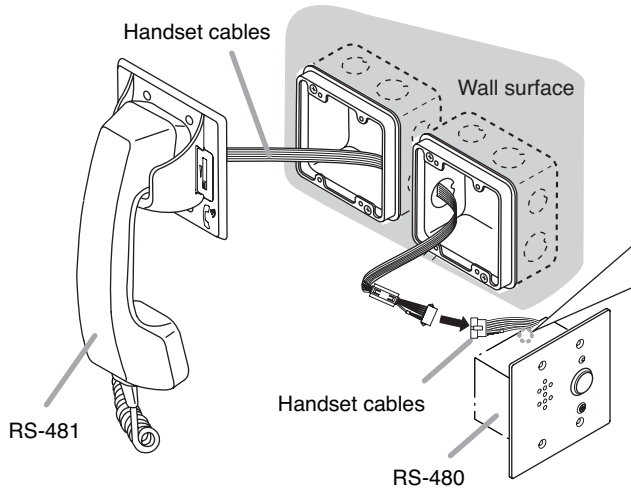
3. CONNECTIONS

3.1. RS-480, N-8400RS, and external relay connections



Note: Cut out the control cables if they are not used to avoid short-circuiting.

3.2. RS-480 and RS-481 connections



Note
When using the RS-481 Option handset, cut the jumper wire next to the handset joint connector on the circuit board as illustrated above.
If not cut, sound comes out from the RS-480's front speaker and returns back to the handset's microphone, resulting in acoustic feedback.

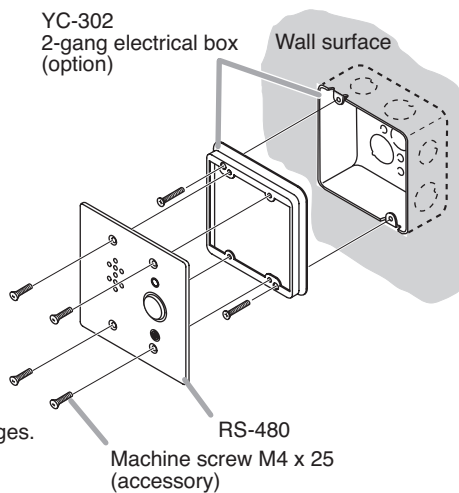
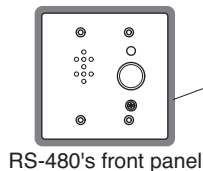
4. WALL MOUNTING

Mount the RS-480/481 to an electrical box mounted in the wall.

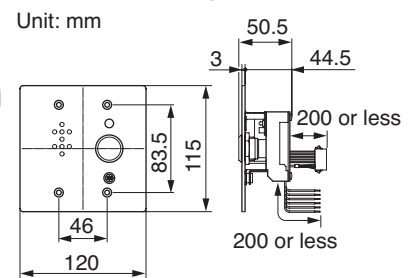
[RS-480]

Notes

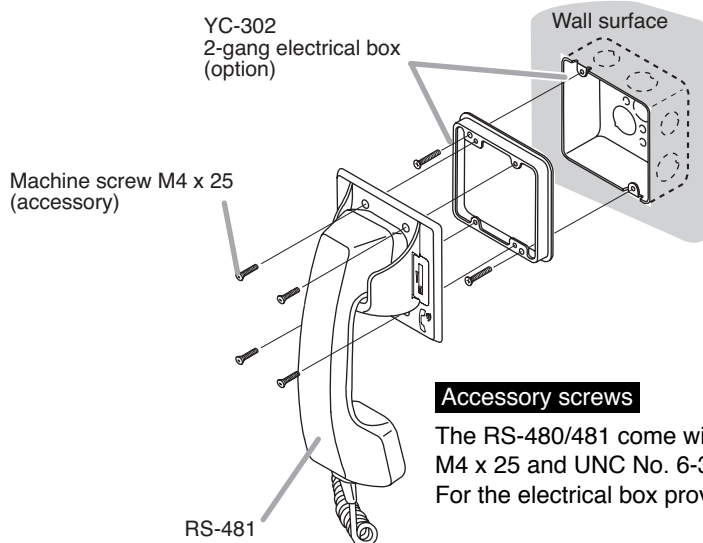
- When using the PA paging function, keep the switch panel as far away from the PA paging speaker as possible to avoid acoustic feedback.
- When installing the RS-480 at outdoor or locations where it gets wet with water, tightly seal the panel edges. Besides, provide a weep hole at the underside of the mounting box to permit water to drain off.



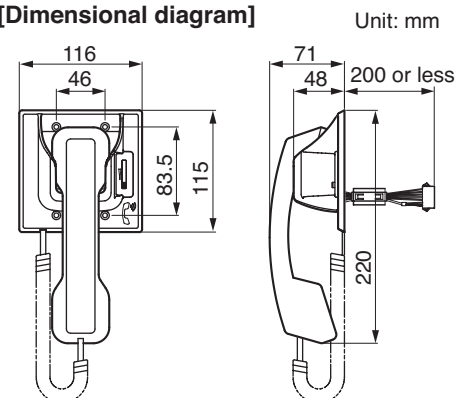
[Dimensional diagram]



[RS-481]



[Dimensional diagram]



Accessory screws

The RS-480/481 come with 2 types of screws to match the box screw threads: M4 x 25 and UNC No. 6-32 x 18.
For the electrical box provided with unified threads, use the UNC No. 6-32 x 18.

Traceability Information for Europe (EMC directive 2004/108/EC)

Manufacturer:
TOA Corporation
7-2-1, Minatojima Nakamachi, Chuo-ku, Kobe, Hyogo, Japan

Authorized representative:
TOA Electronics Europe GmbH
Suederstrasse 282, 20537 Hamburg, Germany

URL: <http://www.toa.jp/>