

SWITCH BOARD

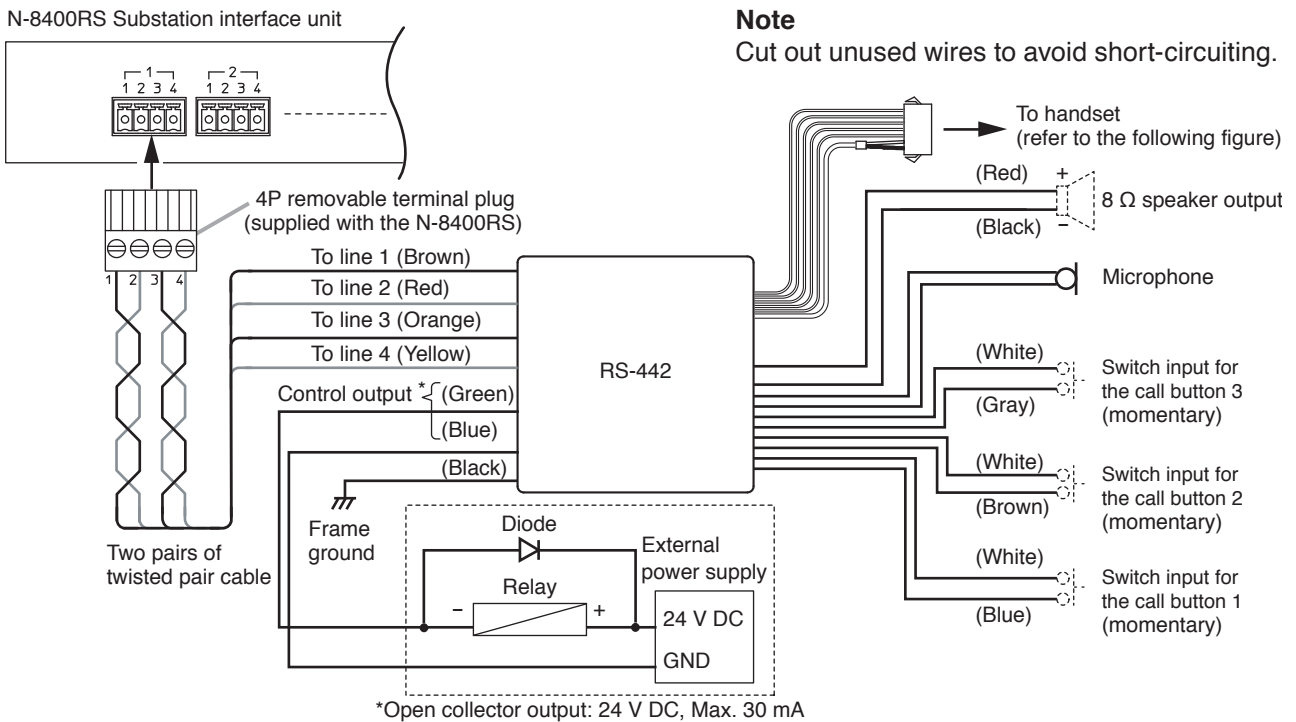
RS-442

Thank you for purchasing TOA's Switch Board.
Please carefully follow the instructions in this manual to ensure long, trouble-free use of your equipment.

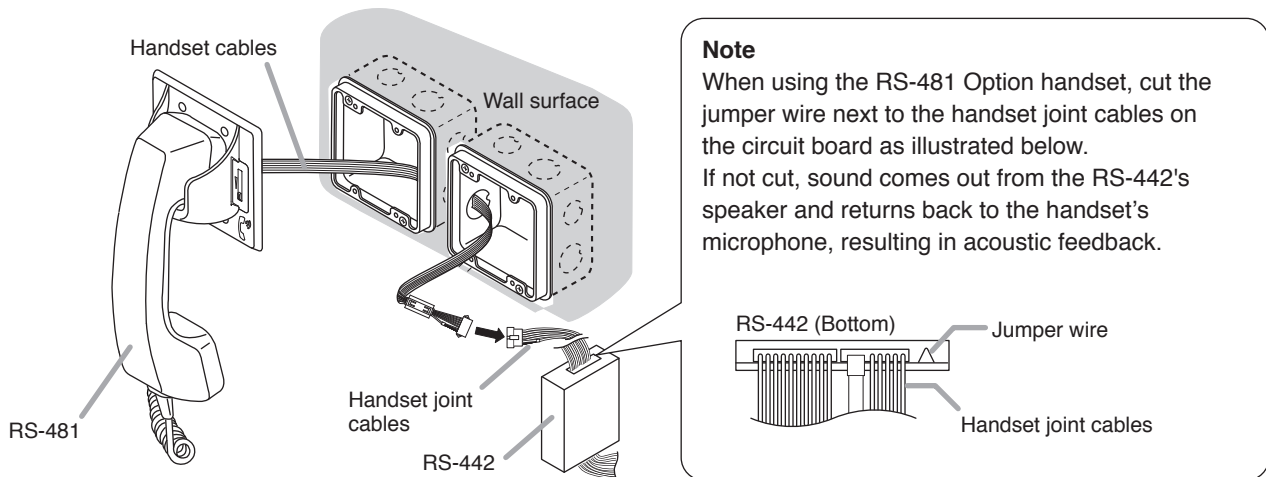
1. GENERAL DESCRIPTION

The RS-442 is a Switch board to be connected to the N-8400RS 4-wire system Substation Interface Unit. It is equipped with 1 microphone input (with a microphone unit), 3 switch inputs for call buttons, and 1 speaker output, enabling you to make a switch panel suitable for applications. By assigning a different master station as a calling destination to each Call button, you can call one of them and make a conversation.

2. CONNECTION



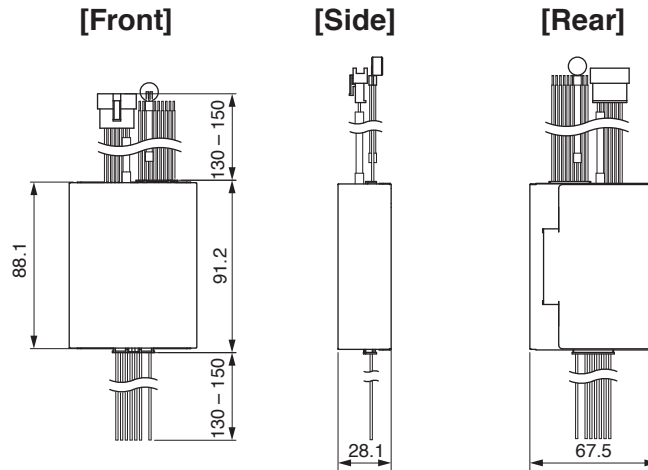
[RS-442 and RS-481 connections]



3. INSTALLATION

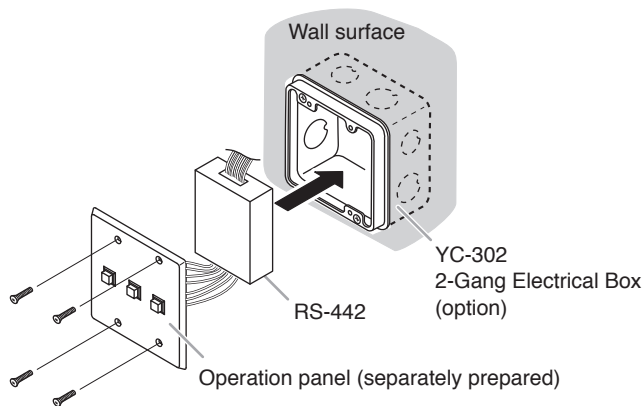
3.1. Installation Completion Drawing

Unit: mm



3.2. When Making Operation Panel for Flush-Mount Installation

Put the RS-442 in the YC-302 2-Gang Electrical Box mounted in the wall. Then, connect the cables from RS-442 to the switches mounted on the operation panel separately prepared.



Tip
YC-822 Indoor Wall-Mount Box can also be used.

Note: When using the PA paging function, keep the operation panel as far away from the PA paging speaker as possible to avoid acoustic feedback.

4. SPECIFICATIONS

Call Button Wiring	6 cables (for 3 momentary switches)
Rated Input	1 W
Control Output	Open collector, Maximum controlled voltage: 30 V DC Control current: 30 mA
Microphone	Electret condenser microphone
Wiring	Twisted pair cables (2 pairs)
Transmission Range	1 km/ø0.5 mm (AWG24) 1.5 km/ø0.65 mm (AWG22) 2 km/ø0.9 mm (AWG19)
Operating Temperature	0 to 40 °C
Weight	140 g

Note: The design and specifications are subject to change without notice for improvement.

Traceability Information for Europe

Manufacturer:
TOA Corporation
7-2-1, Minatojima-Nakamachi, Chuo-ku, Kobe, Hyogo, Japan

Authorized representative:
TOA Electronics Europe GmbH
Suederstrasse 282, 20537 Hamburg, Germany