

## DESCRIPTION

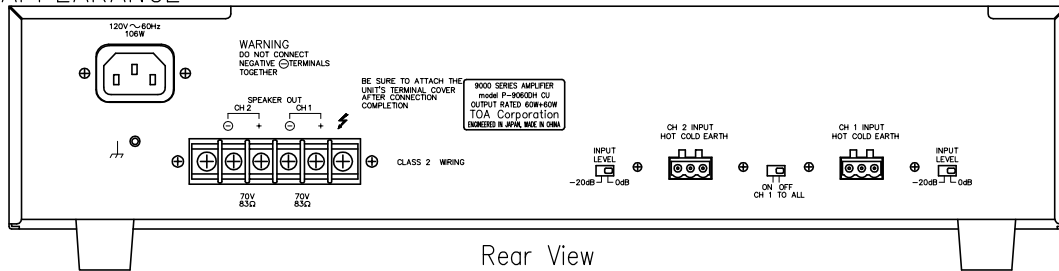
The P-9060DH Power Amplifier is a 2-channel amplifier (60 W × 2) providing 70-volt line output. It can be used not only as TOA's 9000 series power amplifier but also as stand-alone amplifier, thus covering wide range of applications.

## SPECIFICATIONS

\* 0 dB = 1 V

Power Source	120 V AC, 60 Hz
Power Consumption	225 W (rated output), 106 W (UL60065)
Output	Speaker output CH 1, CH 2: 60 W, 83 Ω × 2, BTL output (70 V line), M4 screw terminal, distance between barriers: 9 mm (0.35")
Input	CH 1, CH 2 input: -20 dB* or 0 dB* (switchable), 10 kΩ, electronically-balanced, removable terminal block CH 1 mode ON/OFF switch (ON: CH 1 to All ch, OFF: Each ch)
Power Band Width	20 - 20,000 Hz, 0.08% T.H.D.
Frequency Response	20 - 20,000 Hz (+1, -3 dB)
S/N Ratio	At Input short, 20 - 20,000 Hz, Input level switch in 0 dB* position Output volume min.: 105 dB, Output volume max.: 97 dB
Total Harmonic Distortion	0.008% (22 kHz LPF, 1 kHz, rated output, input level switch in 0 dB* position)
Function	Output disconnected for approx. 5 s after switching power on.
Air Cooling	Forced air cooling (Fan speed: varies depending on the temperature.)
Operating Temperature	-10°C to +40°C (14°F to 104°F)
Operating Humidity	35% to 80% RH (no condensation)
Finish	Front panel: Aluminum, hair-line, black Case: SECC, black, paint
Dimensions	420 (W) × 107.6 (H) × 406 (D) mm (16.54" × 4.24" × 15.98")
Weight	8.2 kg (18.08 lb)
Accessory	Power cord (2 m (6.56 ft)) ×1, Volume control cover (YA-920) ×2, Rack mount bracket ×2, Bracket mounting screw (M4 × 16) ×4, Removable terminal plug (3 pins) ×2, Terminal cover ×1, Terminal cover mounting screw (M4 × 8) ×2

## APPEARANCE

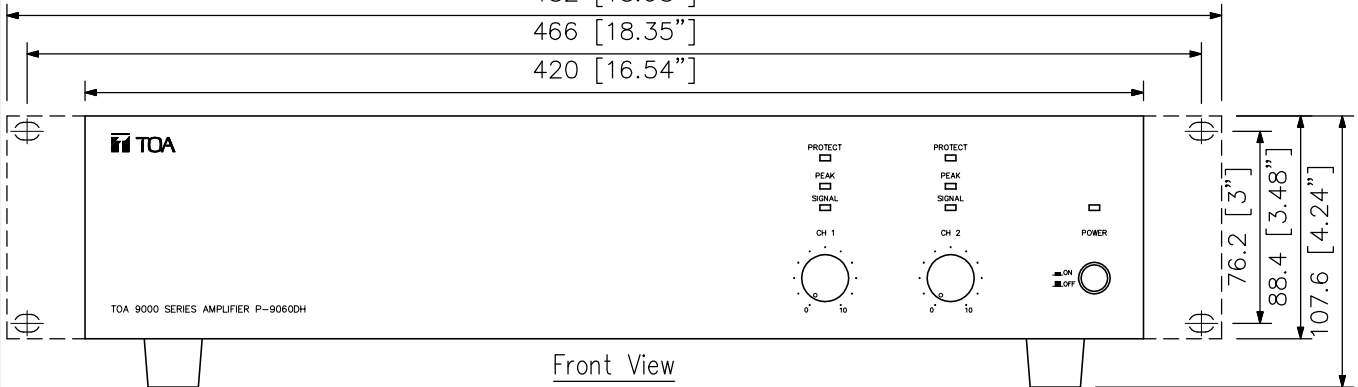


Rear View

482 [18.98"]

466 [18.35"]

420 [16.54"]



Front View

406 [15.98"]

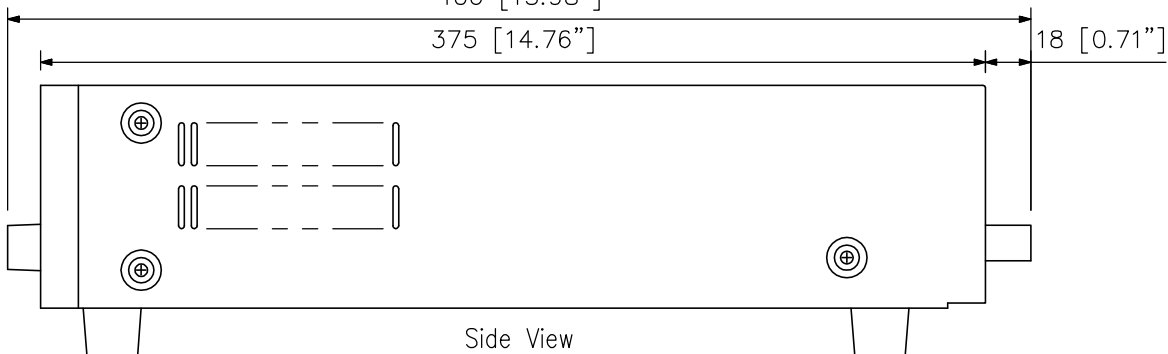
375 [14.76"]

18 [0.71"]

76.2 [3"]

88.4 [3.48"]

107.6 [4.24"]



Side View

UNIT: mm SCALE: 1/3