

IP DOOR STATION N-8650DS

1. SAFETY PRECAUTIONS

- Before installation or use, be sure to carefully read all the instructions in this section for correct and safe operation.
- Be sure to follow all the precautionary instructions in this section, which contain important warnings and/or cautions regarding safety.
- After reading, keep this manual handy for future reference.

⚠ CAUTION

Indicates a potentially hazardous situation which, if mishandled, could result in moderate or minor personal injury, and/or property damage.

- Use the dedicated AC adapter or its equivalent for the unit. Note that the use of other adapter may cause a fire.

2. GENERAL DESCRIPTION

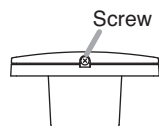
Designed to connect to the IP network, the N-8650DS is an indoor use door station featuring high quality hands-free conversation. It is equipped with 1 contact input and 5 contact outputs, allowing connections to a sensor, electronic lock, and other external equipment. The N-8650DS can be mounted either flush in a wall or on a wall by using the designated mounting box.

3. WALL MOUNTING

3.1. In-Wall Mounting

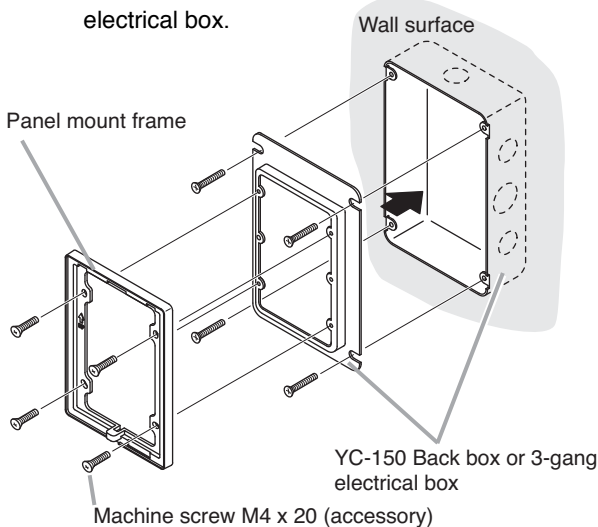
Mount the panel mount frame to the YC-150 Back box or 3-gang electrical box installed in a wall, then attach the N-8650DS to the panel mount frame.

Step 1. Loosen the screw on the N-8650DS's bottom, then detach the panel mount frame.



N-8650DS's bottom

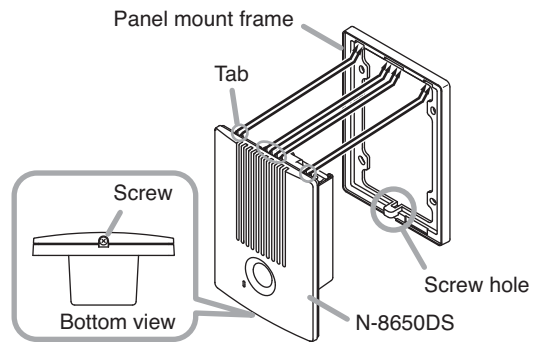
Step 2. Mount the panel mount frame to the YC-150 or electrical box.



Accessory screws

The N-8650DS comes with 2 types of screws: machine screw M4 x 20 and UNC No.6-32 x 20. For the electrical box provided with unified threads, use the oval head combination screws UNC No.6-32 x 20.

Step 3. Attach the N-8650DS to the panel mount frame. Hook the tabs on the N-8650DS's upper side into the panel mount frame's slots, fit them into place, then secure the both bottom sides with a screw.

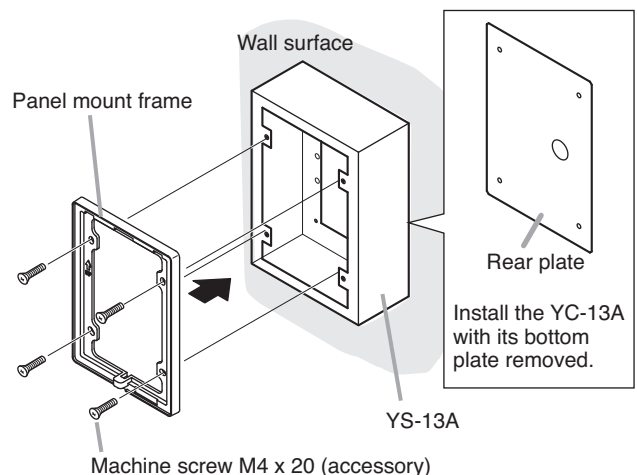


3.2. On-Wall Mounting

Attach the N-8650DS to the YS-13A Wall-mount box installed on a wall.

Step 1. Loosen the screw on the N-8650DS's bottom, then detach the panel mount frame. (Refer to **Step 1** in the previous section.)

Step 2. Mount the panel mount frame to the back box.



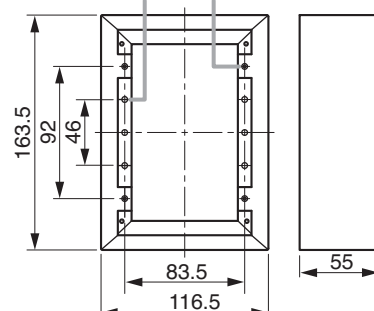
Accessory screws

The N-8650DS comes with 2 types of screws: machine screw M4 x 20 and UNC No.6-32 x 20. Use the M4 x 20 screw.

Step 3. Attach the N-8650DS to the panel mount frame. Hook the tabs on the N-8650DS's upper side into the panel mount frame's slots, fit them into place, then secure the both bottom sides with a screw. (Refer to **Step 2** in the previous section.)

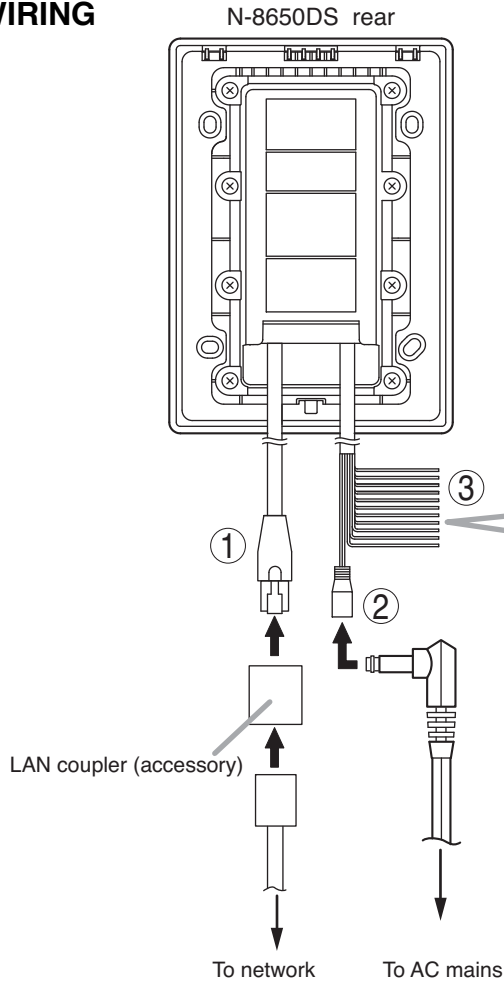
[YS-13A dimensional drawing]

6-φ4.5 (for wall mounting) 4-M4 (for N-8650DS mounting)



Unit: mm

4. WIRING



③ Connection to an external equipment

Contact output 1 (brown)

Contact output 2 (red)

Contact output 3 (orange)

Contact output 4 (yellow)

Contact output COM (purple)

→ To an indicator or other external equipment

[Specifications]

Open collector output

Withstand voltage: 30 V DC

Max. control current: 50 mA

Contact output (blue)

Contact output (blue)

→ To an electronic lock or other external equipment*

[Specifications]

Relay contact output

Withstand voltage: 30 V DC

Max. control current: 500 mA

Contact input HOT (gray)

Contact input COM (white)

→ To a switch, sensor, or other external equipment

[Specifications]

No-voltage closed contact input.

Open voltage: 5 V DC

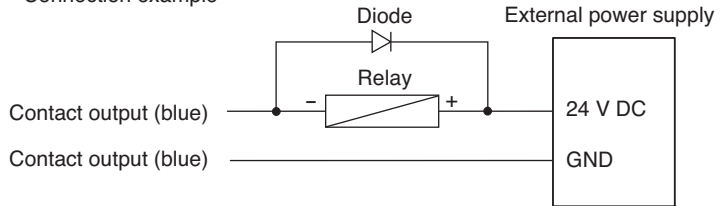
Short-circuit current: 10 mA or less

Speaker cable (black)

Speaker cable (black)

→ To external speakers (8 Ω, 0.6 W or more)

* Connection example



① Network connection

Can be connected to a network of 10BASE-T/100BASE-TX in auto-sensing.

Use a UTP category 5 or more straight through cable with an RJ-45 connector for this connection.

② AC adapter connection

Connect the AC adapter*.

Use the AD-1210P/1215P (optional) or equivalent.

As for the usable adapter, consult your TOA dealer.

Note: Treat unused cables so as not to short-circuit.

• Power supply connection (① or ②)

The following 2 methods are available for supplying power to the station.

- From a DC 12 V AC adapter
- From an IEEE802.3af compliant PoE switching hub (For connection, refer to the instruction manual supplied with the switching hub.)

5. ACCESSORIES

UNC No.6-32 x 20 4
Machine screw M4 x 20 4

LAN coupler 1

Warning

This is a class A product. In a domestic environment this product may cause radio interference in which case the user may be required to take adequate measures.

Traceability Information for Europe (EMC directive 2004/108/EC)

Manufacturer:
TOA Corporation
7-2-1, Minatojima-Nakamachi, Chuo-ku, Kobe, Hyogo, Japan

Authorized representative:
TOA Electronics Europe GmbH
Suederstrasse 282, 20537 Hamburg, Germany



TOA Corporation

URL: <http://www.toa.jp/>

133-06-303-90