

ANALOG STANDARD MASTER STATION

N-8410MS

Thank you for purchasing TOA's Analog Standard Master Station.
Please carefully follow the instructions in this manual to ensure long, trouble-free use of your equipment.

1. GENERAL DESCRIPTION

This Master Station is designed to connect to the N-8400RS 4-Wire Substation Interface Unit, and provide hands-free conversation of high sound quality.
Using an optional YC-280 Wall Mounting Bracket, this station can be mounted on a wall, or tilted for easy key operation when used on a desktop.

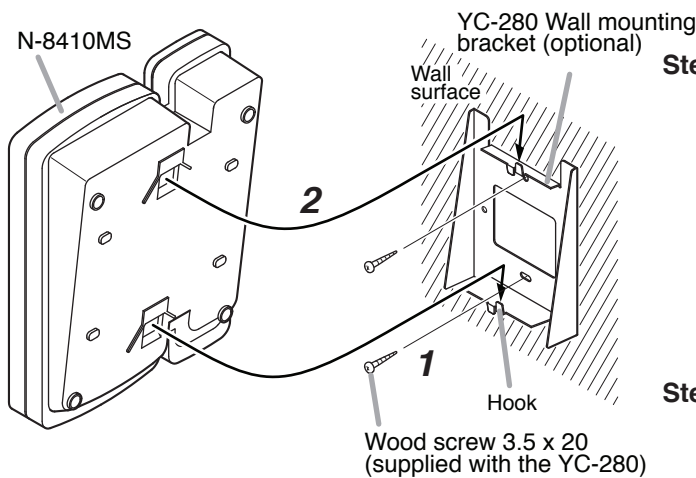
Warning

This is a class A product. In a domestic environment this product may cause radio interference in which case the user may be required to take adequate measures.

2. WALL MOUNTING

The station can be mounted on a wall using an optional YC-280 wall-mounting bracket.
The YC-280 can be installed to a one gang switch box.

2.1. Mounting Example



Step 1. Install the YC-280 to the wall.

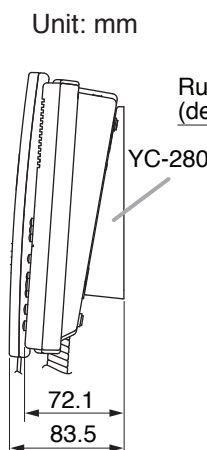
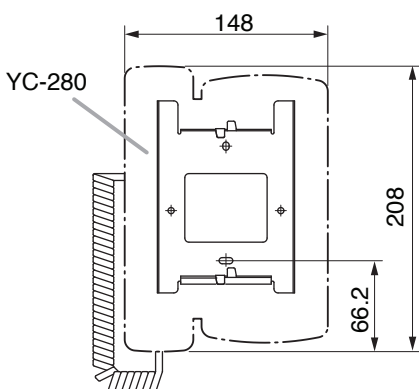
Notes

- Use the appropriate screws for the construction of wall.
- Wood screws 3.5 x 20 are supplied with the YC-280.
- No fitting screws for switch box are supplied with.
Use commercially available screws.

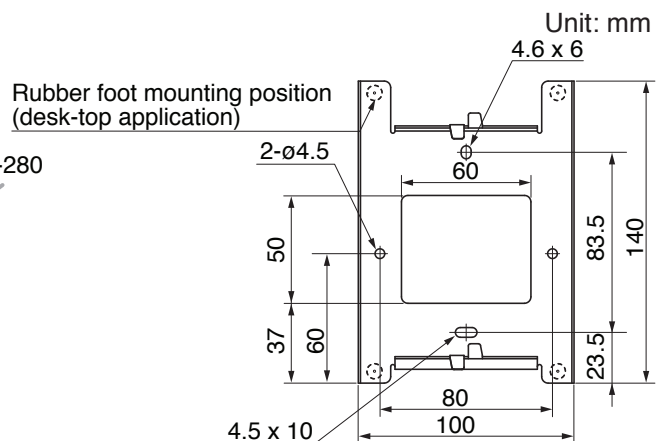
Step 2. Hang the N-8410MS on the YC-280's hook to install.

Push down the station main body in the direction indicated by the arrow.

2.2. Installation Completion Drawing



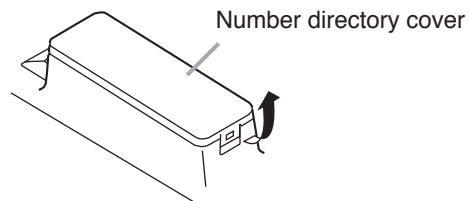
2.3. YC-280 Dimensional Drawing



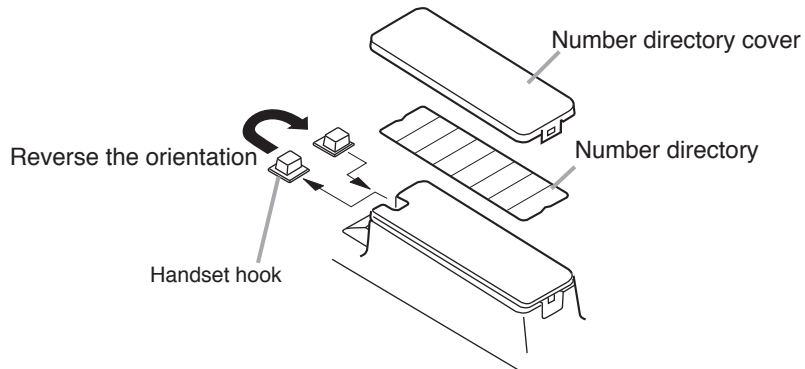
3. WALL MOUNTING

When mounting the N-8410MS on a wall, the orientation of the handset hook needs to be changed.

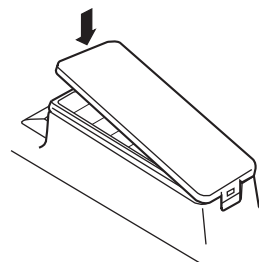
Step 1. Raise the number directory cover forward tab.



Step 2. Remove both the number directory cover and the directory. Remove the handset hook and reverse its orientation, then replace.



Step 3. After replacing the directory on the station, hook the directory cover's forward tab and push on the upper part of the directory cover.

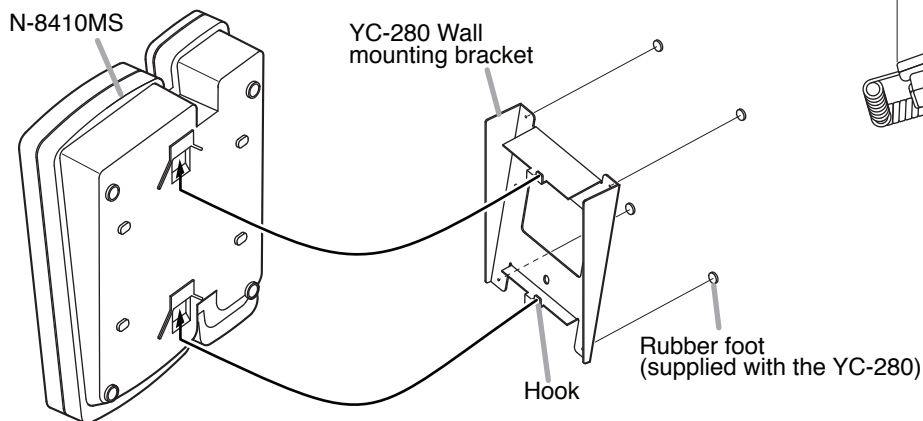


4. DESK-TOP INSTALLATION

In desktop installation, the front operation panel can be inclined 16° from the desk surface for easier operation by attaching the YC-280 to N-8410MS bottom surface.

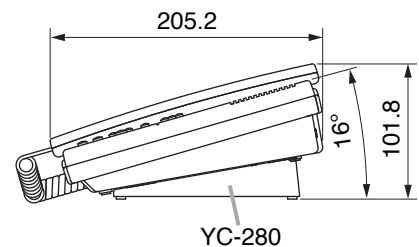
4.1. Mounting Example

Hang the YC-280's hook on the N-8410MS's wall bracket mounting slot to install. Push up the YC-280 in the direction indicated by the arrows.

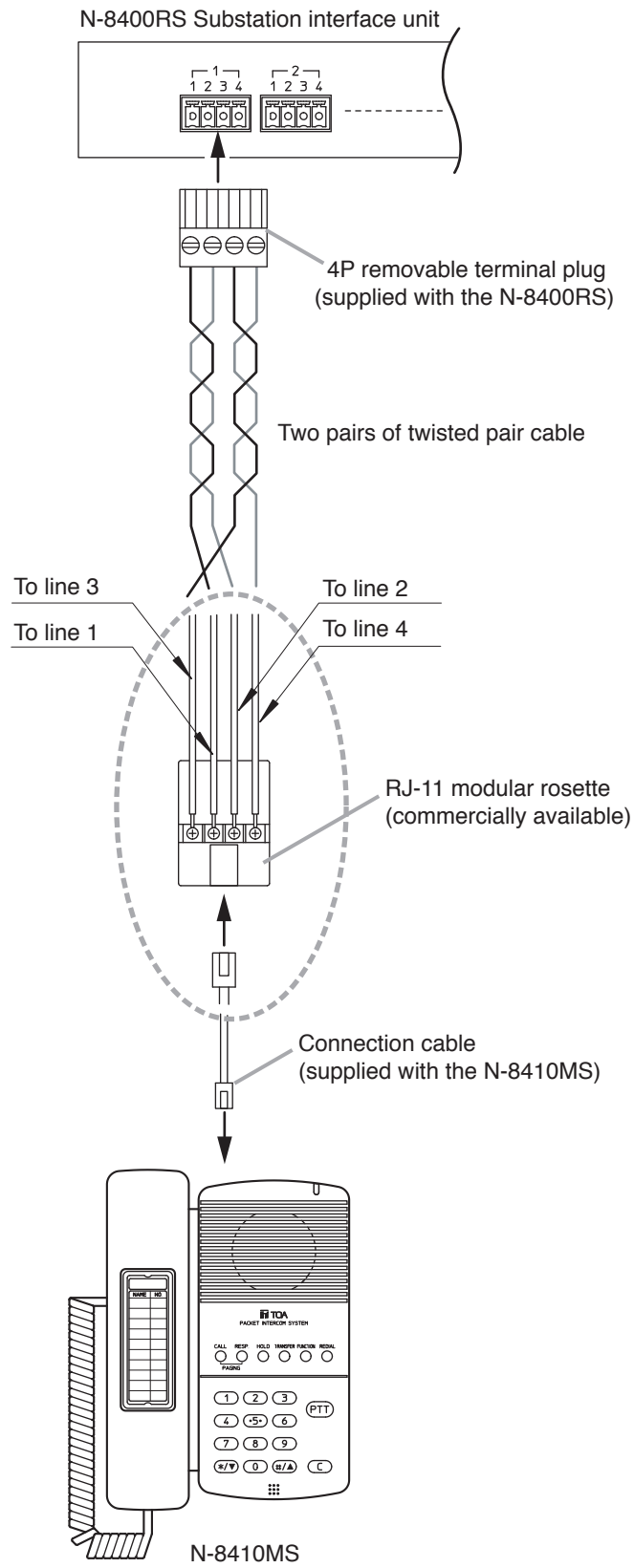


4.2. Installation Completion Drawing

Unit: mm



5. CONNECTIONS



6. TYPE OF CABLE

The types of cables are to be determined according to the following conditions.

- Twisted pair wires (such as those used for electronic push-button telephone) are to be used for wiring between the N-8400RS and the N-8410MS in principle.
- The number of cables pairs laid should be determined considering the possibility of future expansion of the system.
- Outdoor wires should be used where wiring passes through inaccessible areas such as ceilings or under floors where the maintenance is not performed. Indoor wires may also be used, however, in case where there is no risk of deterioration due to exposure to heat, etc.

Note

Specification related to junction is as follows.

Removable terminal plug (N-8400RS Line terminal)

Conductor diameter: \varnothing 0.5 – 2 mm (AWG12 – 24), Solid wire, Stranded wire

7. CORE DIAMETER OF CABLE VS. MAXIMUM CABLE LENGTH

For the maximum (two pairs of twisted pair) cable length to be used for connection between the N-8400RS and the N-8410MS, refer to the following table.

Conductor diameter (mm)	Maximum cable length (km)
\varnothing 0.5 (AWG24)	1.0
\varnothing 0.65 (AWG22)	1.5
\varnothing 0.9 (AWG19)	2.0

Traceability Information for Europe (EMC directive 2004/108/EC)

Manufacturer:
TOA Corporation
7-2-1, Minatojima-Nakamachi, Chuo-ku, Kobe, Hyogo,
Japan

Authorized representative:
TOA Electronics Europe GmbH
Suederstrasse 282, 20537 Hamburg,
Germany