

SPEAKER STAND ADAPTER

HY-ST1

TOA's HY-ST1 Speaker Stand Adapter is used exclusively to mount the HX-5 series speaker system on the speaker stand. The HY-ST1 fits the ST-32 Speaker Stand or other stands with mounting pipe of 35 mm in diameter.

1. SAFETY PRECAUTIONS

- Before installation or use, be sure to carefully read all the instructions in this section for correct and safe operation.
- Be sure to follow all the precautionary instructions in this section, which contain important warnings and/or cautions regarding safety.
- After reading, keep this manual handy for future reference.

WARNING

Indicates a potentially hazardous situation which, if mishandled, could result in death or serious personal injury.

- Do not use other methods than specified to mount the unit. Extreme force is applied to the unit and the speaker could fall off, possibly resulting in personal injuries.
- Tighten each nut and bolt securely. Ensure that the unit has no loose joints after installation to prevent accidents that could result in personal injury.
- Avoid installing or mounting the speaker stand in unstable locations, such as on a rickety table or a slanted surface. Doing so may result in the unit falling down and causing personal injury and/or property damage.

CAUTION

Indicates a potentially hazardous situation which, if mishandled, could result in moderate or minor personal injury, and/or property damage.

- Avoid touching the unit's sharp metal edge to prevent injury.
- Avoid placing the unit in a doorway or other high traffic area as people may trip on the equipment and cords, or be injured by falling objects.
- Use the ST-32 Speaker Stand or the stand that allows a load over 25 kg in combination. When using the speaker stand, set the inner pipe to its lowest position. Doing otherwise may cause the unit or component to fall off, resulting in personal injury.

2. SPECIFICATIONS

Finish	Steel plate, black, semi-gloss
Dimensions	96 (w) x 351 (h) x 148 (d) mm 3 25/32 (w) x 13 13/16 (h) x 5 53/64 (d) inches (excluding projection)
Weight	1.2 kg
Applicable Stand	ST-32 (option) or the generic speaker stand with a ϕ 35 mm (1 3/8 inches) pipe
Accessories	Hexagon head bolt M8 x 15 with washer 4

Note: The design and specifications are subject to change without notice for improvement.

3. INSTALLATION

Step 1. Attach the HY-ST1 to the HX-5 series rear plate.

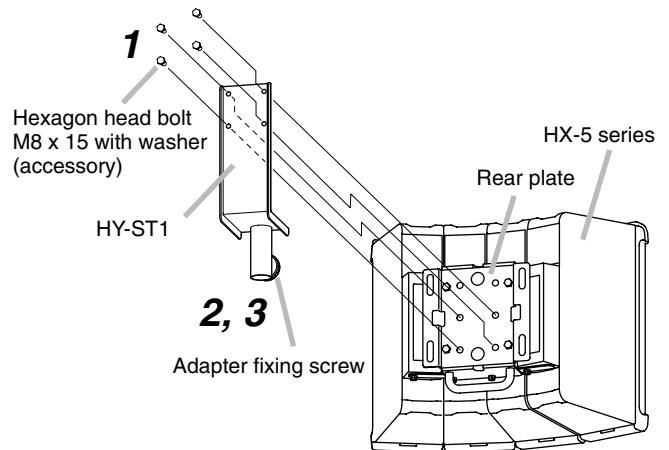
Note

If the HX-5 series is installed vertically, change the orientation of the rear plate. More particularly, refer to the instruction manual supplied with the HX-5 series.

Step 2. Loosen the adapter fixing screw to place the adapter on the speaker stand.

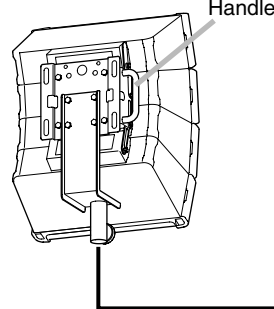
The diameter of the pipe of the mountable speaker stand is 35 mm.

Step 3. Retighten the fixing screw.

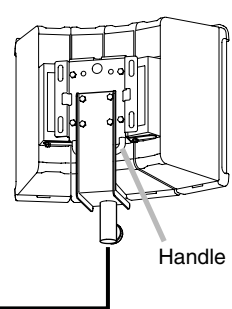


[Finished assembly diagram]

Vertical installation



Horizontal installation

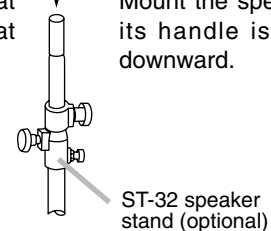


Note

Mount the speaker so that its handle is positioned at the right side.

Note

Mount the speaker so that its handle is positioned downward.



CAUTION

To assure the safety against a fall of speaker stand, set the inner pipe to its lowest position or take other appropriate measures.