

DESCRIPTION

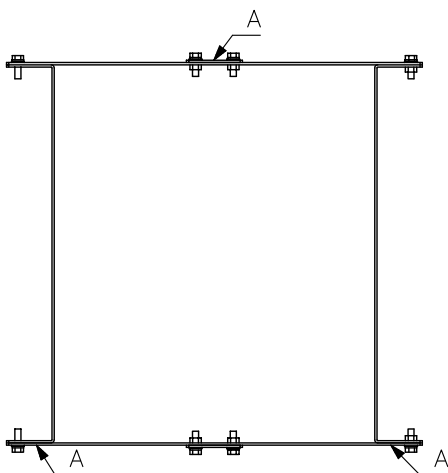
The HY-PF1WP is used exclusively to suspend the HX-5 speaker system from the ceiling. The FB-120 series Subwoofer can be suspended using this frame and the frame's supplied mounting brackets. This bracket is designed for outdoor use.

SPECIFICATIONS

Finish	Stainless steel
Dimensions	550 (W) × 50 (H) × 512 (D) mm
Weight	3.6 kg

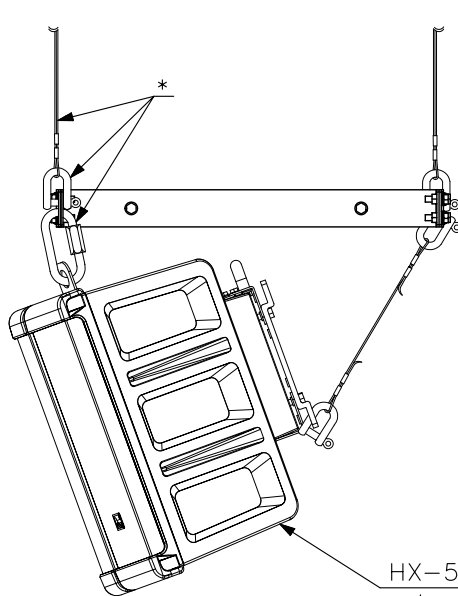
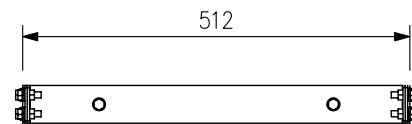
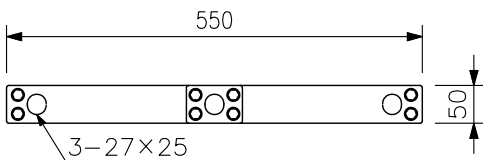
Note: Every speaker module must be aimed horizontally or down to keep the weather resistant capability.

APPEARANCE

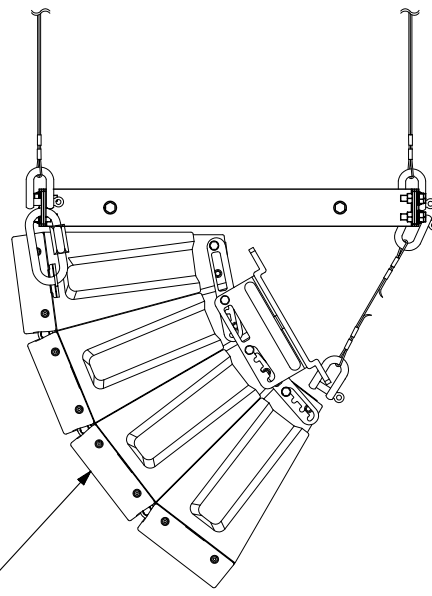


Hanging the HX-5B-WP or HX-5W-WP

Holes A are used for hanging between the HY-PF1WP and the HX-5B-WP or HX-5W-WP, and also between the HY-PF1WP and the ceiling (3-point hanging).



Hanging horizontally



Hanging vertically

* Note: Wires, anchor shackles, and carabiners necessary for hanging are not supplied with the product.

UNIT:mm SCALE:1/10