

### DESCRIPTION

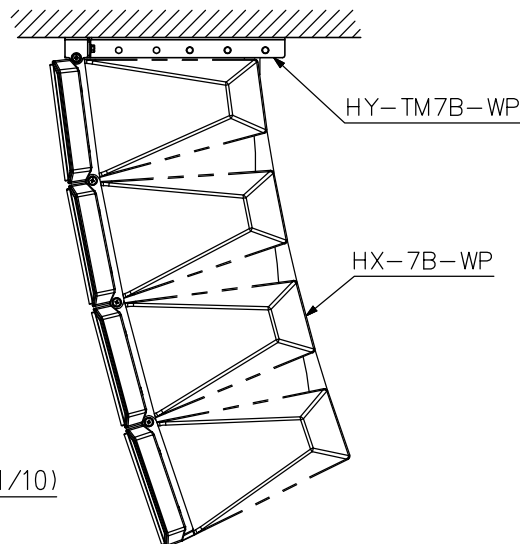
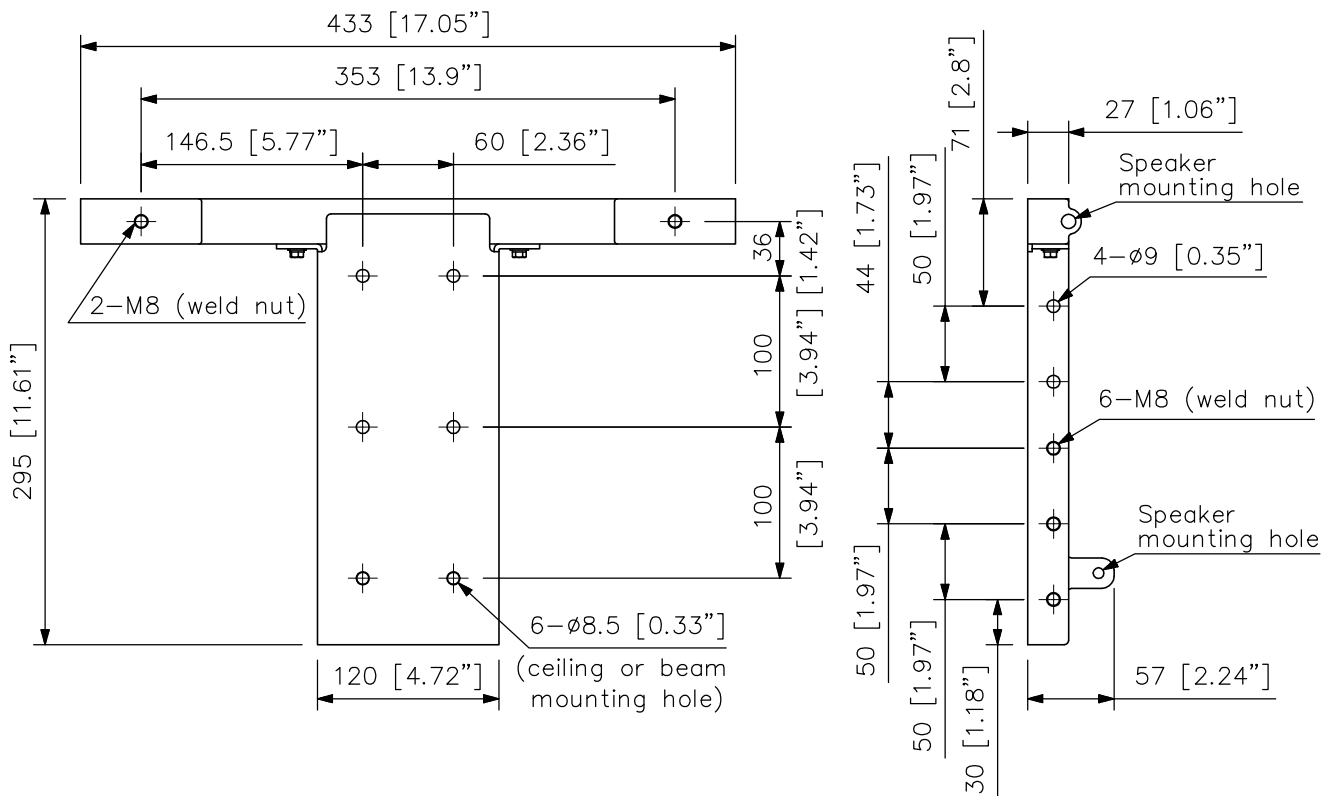
The HY-TM7B-WP Speaker Rigging Bracket is used to suspend the HX-7B-WP Speaker System directly from ceilings, beams or other building structures. This bracket is designed for outdoor use.

### SPECIFICATIONS

Finish	Stainless steel, black, semi-gloss, paint
Dimensions	433 (W) × 57 (H) × 295 (D) mm (17.05" × 2.24" × 11.61")
Weight	2.5 kg (5.51 lb)
Accessory	Speaker mounting bolt ...1 set

Note: Bolts and nuts for mounting the bracket on the ceiling or beam are not supplied.

### APPEARANCE



Speaker mounting example (scale: 1/10)

UNIT: mm SCALE: 1/5