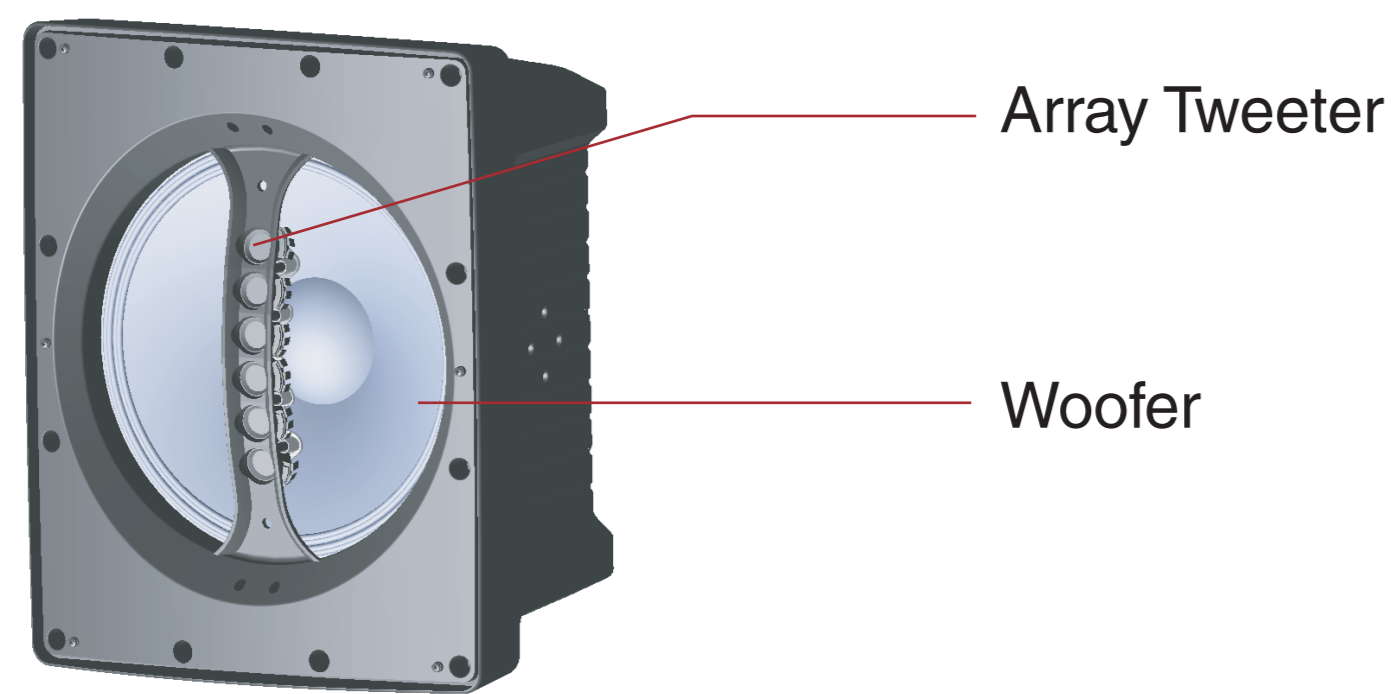




HS-1200/1500 SERIES COAXIAL ARRAY SPEAKERS

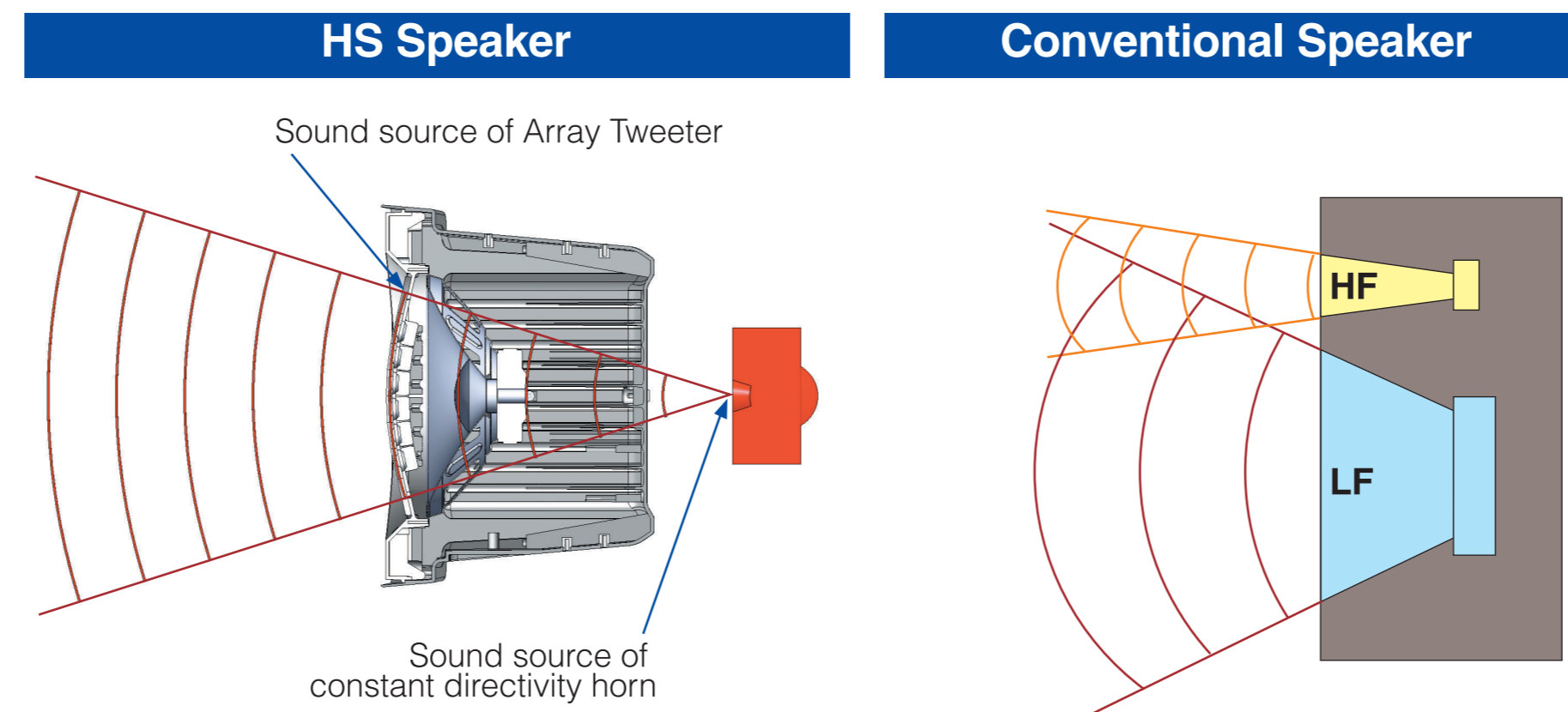
■ Well-controlled sound coverage:
90° horizontal × 40° vertical

■ 2-way unit system equipped with a
large-diameter woofer and an array tweeter



■ Compact speaker achieves control
dispersion equal to that of a large horn.

■ Excellent sound localization by coaxial
2-way unit arrangement.

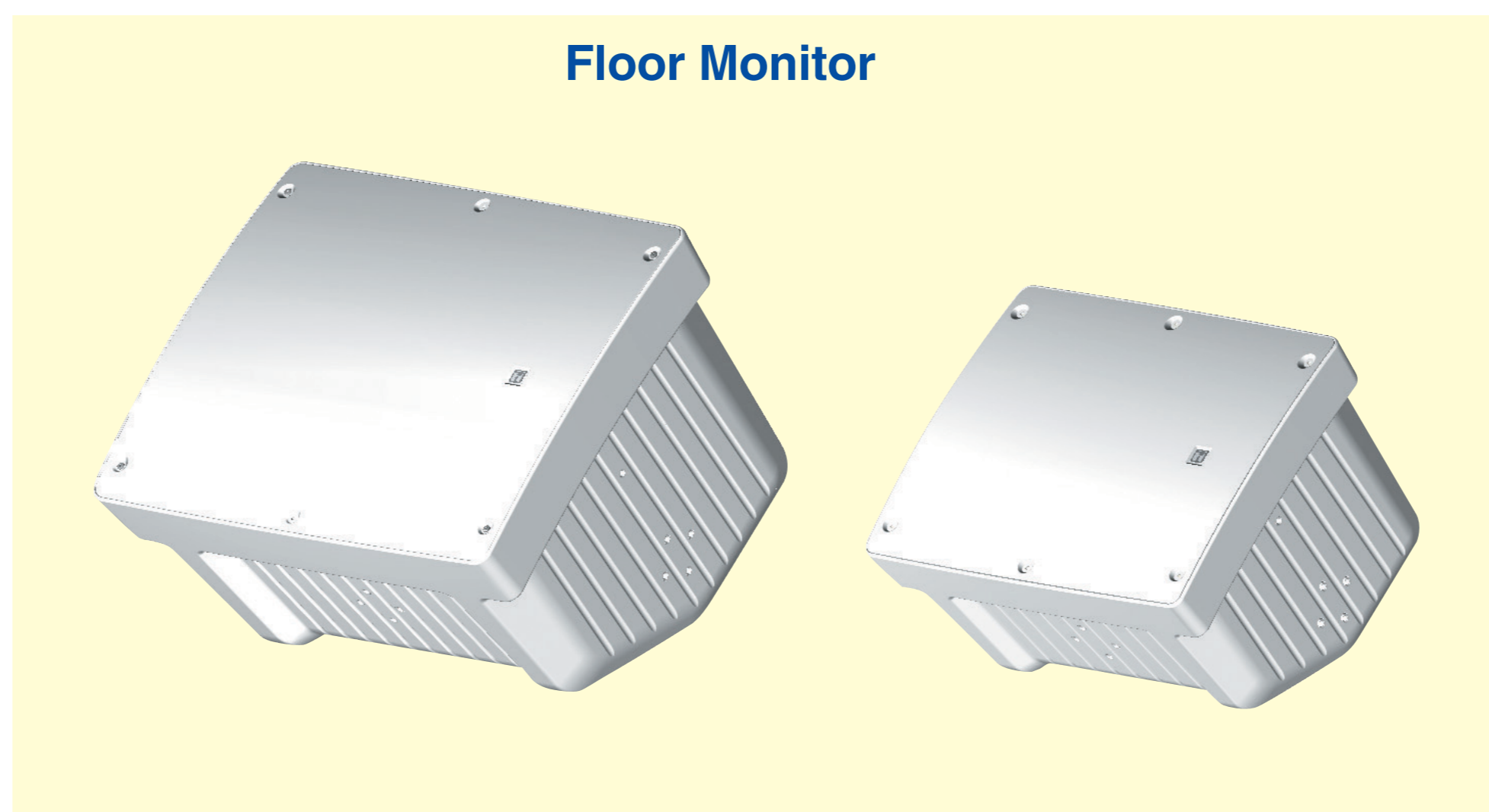
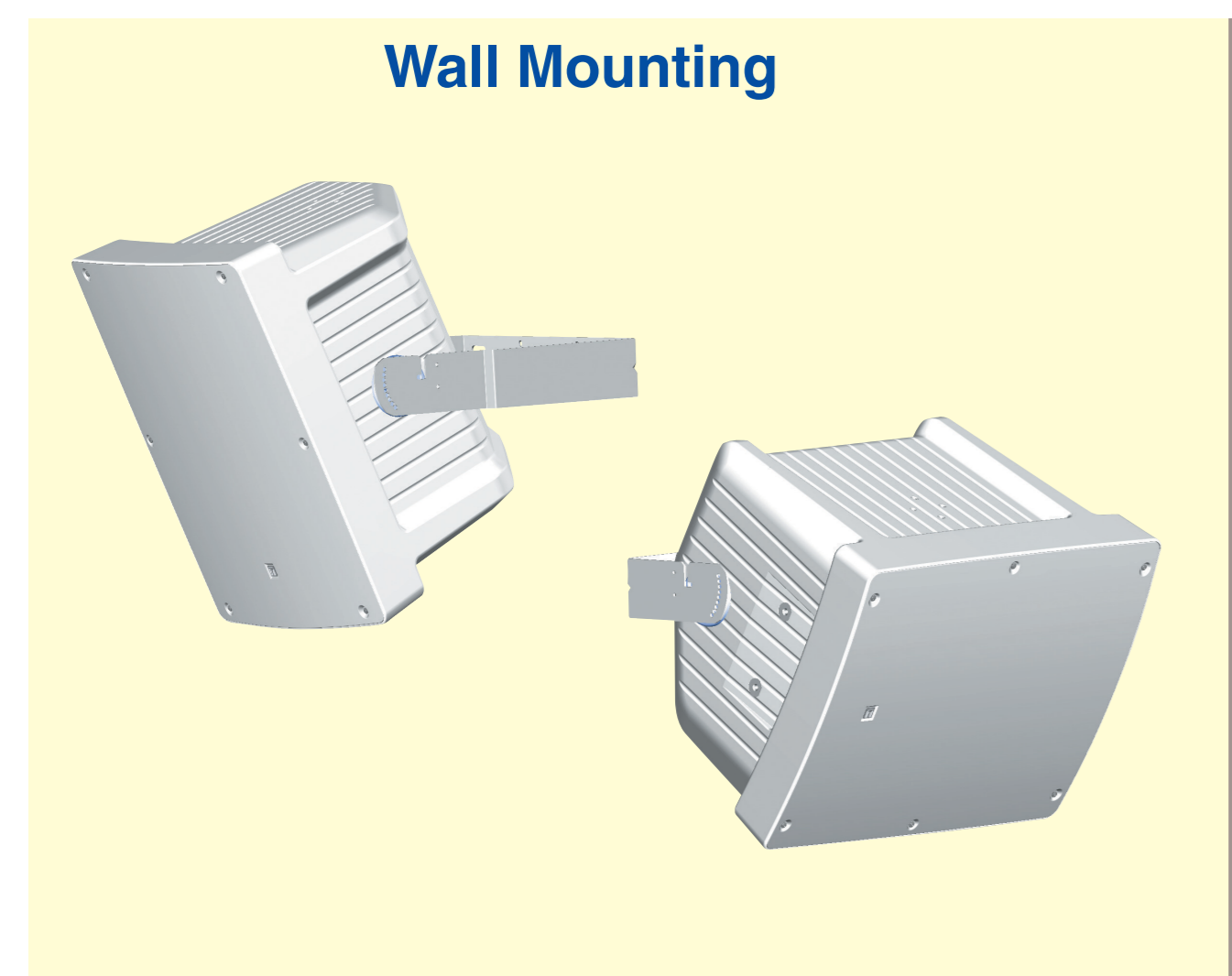
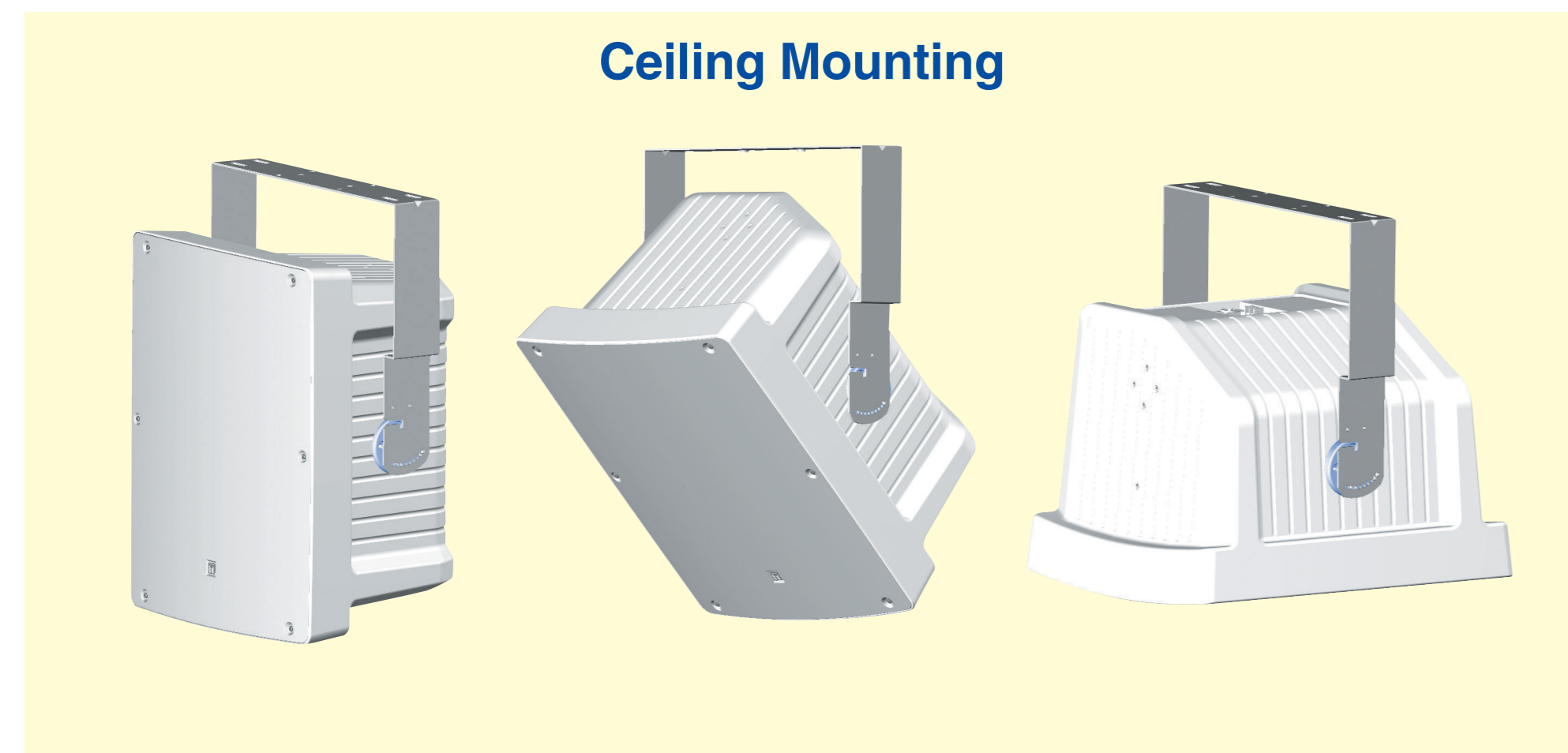


■ Compact and versatile design enables a
broad range of applications.

■ A multi-purpose speaker designed for both
permanent installations and mobile PA.

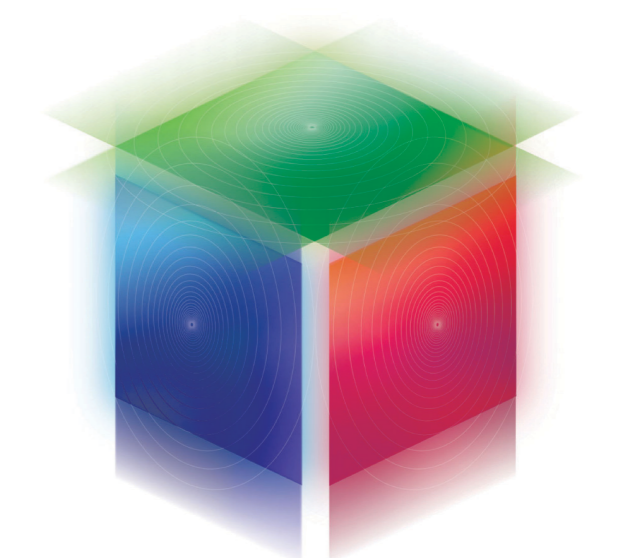
■ Easy to carry and easy to install.

■ Can be used as a floor monitor.



■ Applications

- House of Worship
- Nightclub
- Multi-Purpose hall
- Amusement
- Portable PA
- Arena/Gymnasium
- Banquet Room
- Restaurant Bar/Pub
- Health Club



Human society with
Sound & Communication