

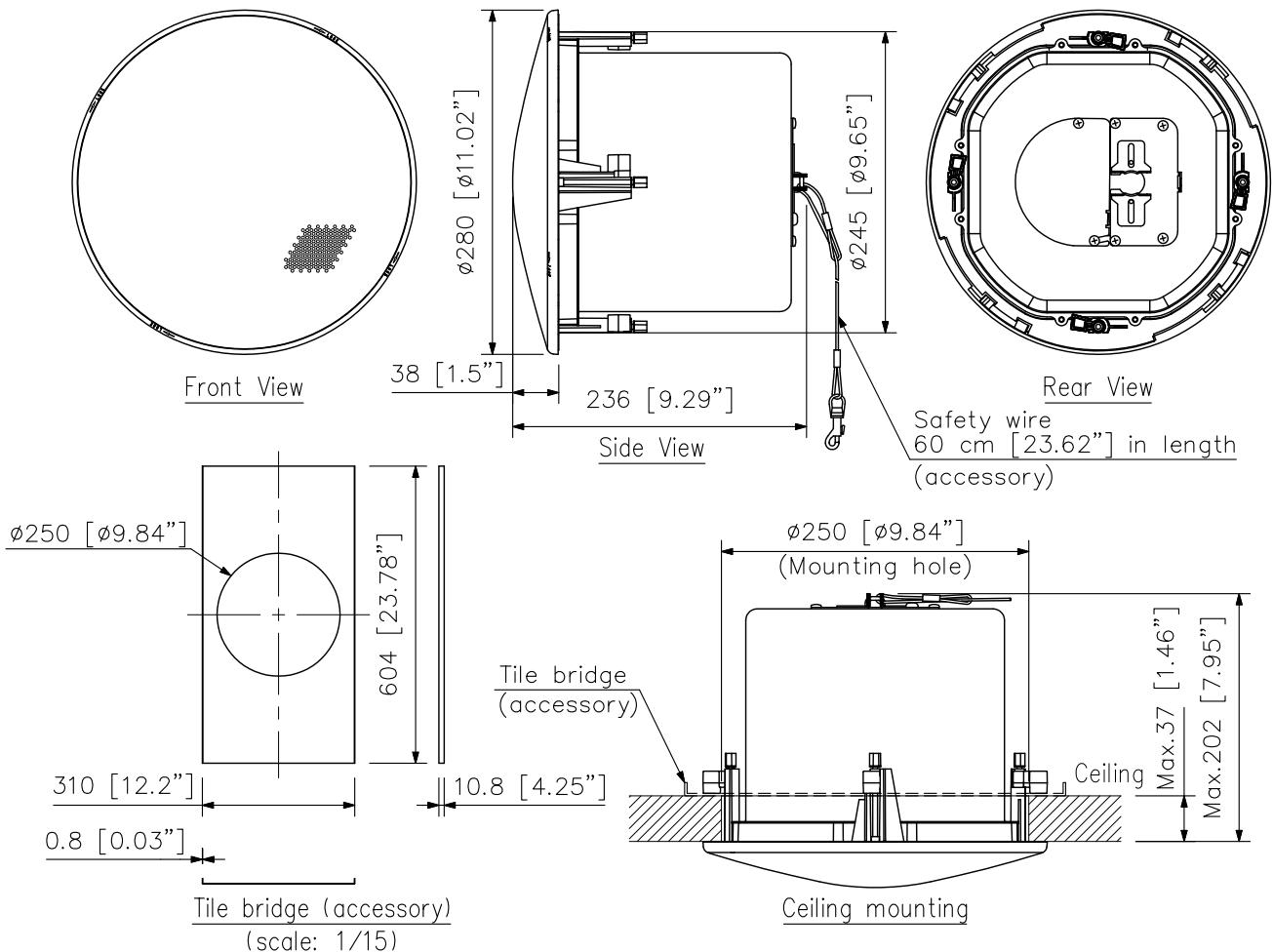
### DESCRIPTION

The F-2852CU2 ceiling and wall-mounted speaker covers a wide area and can be used for 25 and 70 V line applications. Well-balanced sound can be heard uniformly at any location.

### SPECIFICATIONS

Enclosure	Bass reflex type
Rated Input	60 W (High Impedance)
Power Handling Capacity	Continuous pink noise: 90 W (8 Ω), 60 W (16 Ω) Continuous program: 180 W (8 Ω), 120 W (16 Ω)
Impedance	70 V line: 83 Ω (60 W), 170 Ω (30 W), 330 Ω (15 W), 670 Ω (7.5 W), 3.3 kΩ (1.5 W) 25 V line: 83 Ω (7.5 W), 170 Ω (3.7 W), 330 Ω (1.9 W), 670 Ω (0.9 W), 3.3 kΩ (0.2 W) 16 Ω, 8 Ω
Sensitivity	91 dB (1 W, 1 m)
Frequency Response	60 Hz – 20 kHz at installation in 1/2 free sound field (Measured by installing the unit in the center of a ceiling.)
Speaker Component	High frequency: Dome-type, Low frequency: 16 cm (6") cone-type
UL Code	UL1480 (UEAY), UL2043, CAN/CSA C22.2 No.205 (UEAY7)
Mounting Hole	ø250 mm (9.84") (Maximum ceiling thickness: 37 mm (1.46"))
Input Terminal	Removable locking connector with screw-down terminals (2 input terminals and 2 bridge terminals)
Usable Cable	Solid copper wire: ø1.0 – ø1.6 mm (equivalent to AWG No. 18 – 14) Stranded copper wire: 0.75 – 2.5 mm <sup>2</sup> (equivalent to AWG No. 18 – 14)
Finish	Enclosure: Steel plate, plating Baffle: Fire-resistant ABS resin (resin material grade: UL-94 V-0), black Rim: Fire-resistant ABS resin (resin material grade: UL-94 V-0), white, paint Punched net: Steel plate, white, paint
Dimensions	ø280 × 236 (D) mm (ø11.02" × 9.29")
Weight	5.8 kg (12.79 lb) (including mounting accessories)
Accessory	Front grille *1, Tile bridge *1, Safety wire (approx. 60 cm (23.62")) *1, Paper pattern *1

### APPEARANCE



UNIT:mm SCALE:1/6