

DESCRIPTION

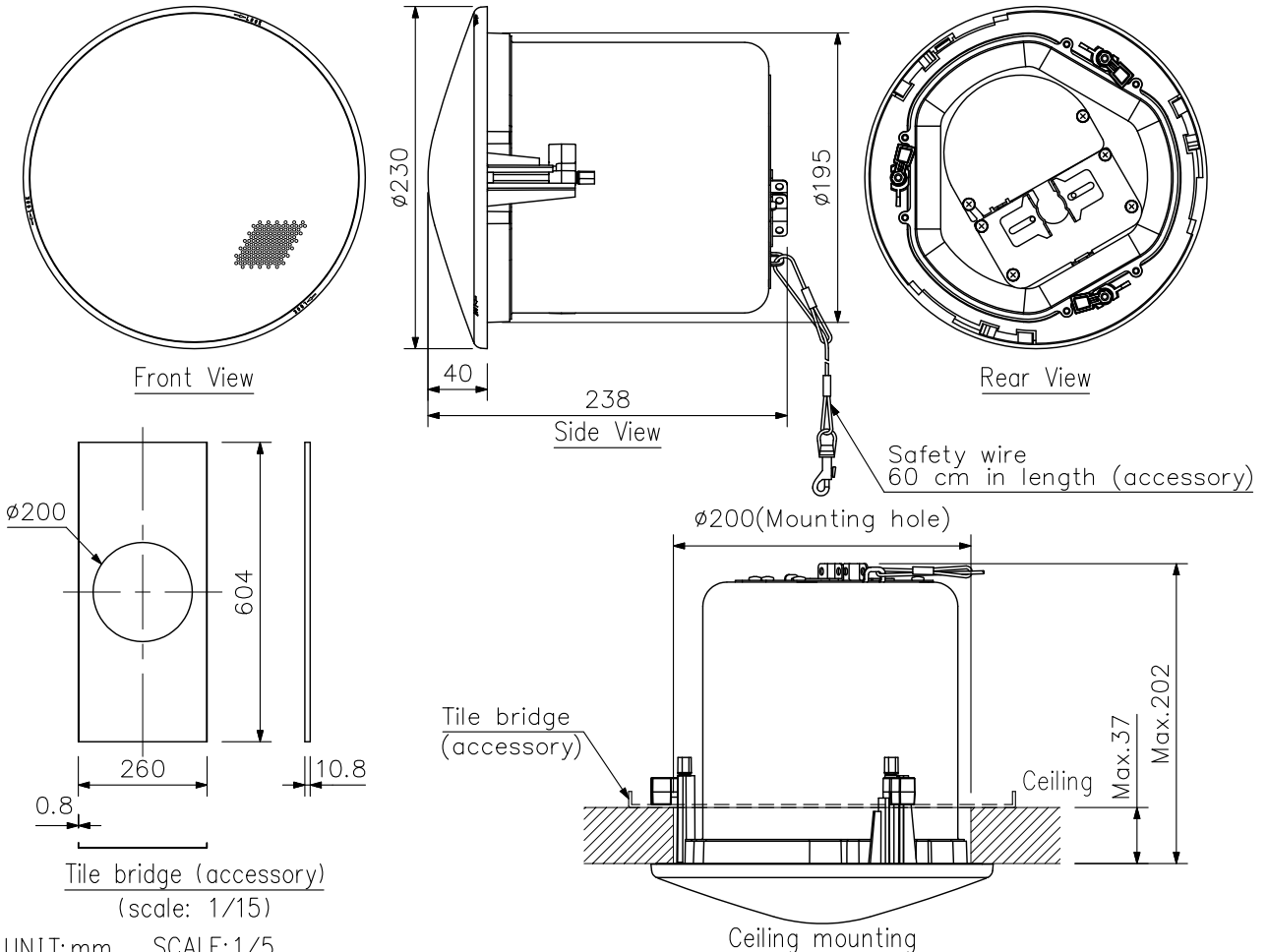
The F-122CU2 ceiling and wall-mounted speaker covers an extremely wide area and can be used for 25 and 70 V line applications. Well-balanced sound can be heard uniformly at any location.

SPECIFICATIONS

Enclosure	Bass reflex type
Rated Input	30 W (High Impedance)
Power Handling Capacity	Continuous pink noise: 60 W (8 Ω), 30 W (16 Ω) Continuous program: 120 W (8 Ω), 60 W (16 Ω)
Impedance	70 V line: 170 Ω (30 W), 330 Ω (15 W), 1 kΩ (5 W), 3.3 kΩ (1.5 W), 10 kΩ (0.5 W) 25 V line: 170 Ω (3.7 W), 330 Ω (1.9 W), 1 kΩ (0.6 W), 3.3 kΩ (0.2 W), 10 kΩ (0.06 W) 16 Ω, 8 Ω
Sensitivity	90 dB (1 W, 1 m)
Frequency Response	70 Hz - 20 kHz (-10 dB), 50 Hz - 20 kHz (-20 dB) at installation in 1/2 free sound field (Measured by installing the unit in the center of a ceiling.)
Speaker Component	12 cm cone-type
UL Code	UL1480 (UUMW/UEAY), UL2043, CAN/CSA C22.2 No.205 (UEAY7)
Mounting Hole	∅200 mm (Maximum ceiling thickness: 37 mm)
Input Terminal	Removable locking connector with screw-down terminals (2 input terminals and 2 bridge terminals)
Usable Cable	Solid copper wire: ∅1.0 - ∅1.6 mm (equivalent to AWG No. 18 - 14) Stranded copper wire: 0.75 - 2.5 mm ² (equivalent to AWG No. 18 - 14)
Finish	Enclosure: Steel plate, plating Baffle: Fire-resistant ABS resin (resin material grade: UL-94 V-0), black Rim: Fire-resistant ABS resin (resin material grade: UL-94 V-0), white, paint Punched net: Steel plate, white, paint
Dimensions	∅230 × 238 (D) mm
Weight	4.4 kg (including mounting accessories)
Accessory	Panel ...1, Tile bridge ...1, Safety wire ...1, Paper pattern ...1
Option	Digital processor: DP-0206, Controller module: E-03R, Back can: HY-BC1, Trim ring: HY-TR1

[Note] The F-122C is used with the DP-0206 Digital processor.

APPEARANCE



UNIT:mm SCALE:1/5