

DESCRIPTION

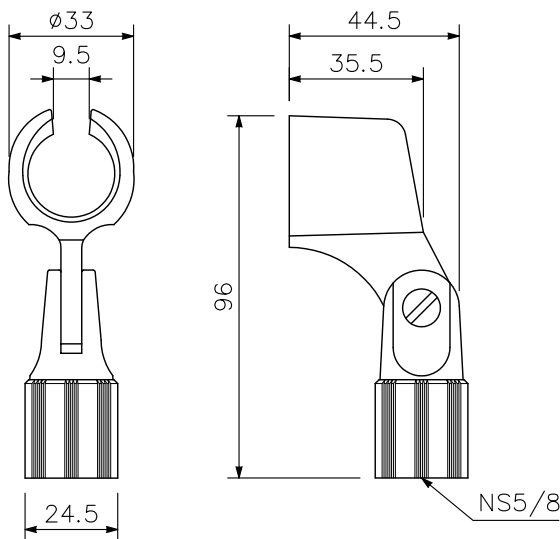
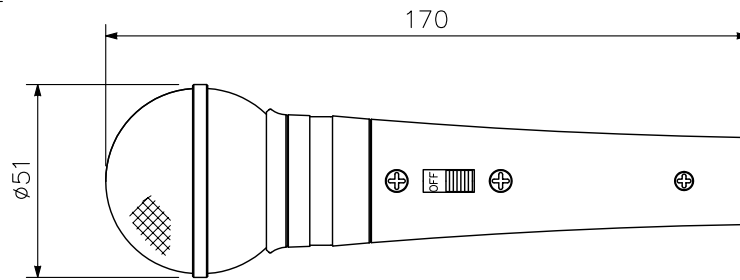
The DM-1300US is a microphone suited to both vocal and speech applications.

SPECIFICATIONS

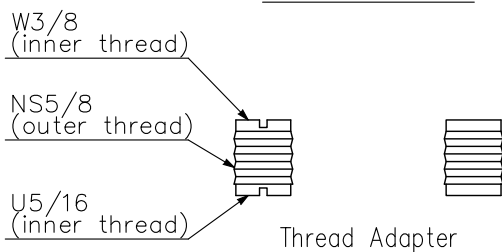
Type	Moving coil microphone
Directivity	Unidirectional
Rated Impedance	600 Ω, balanced
Rated Sensitivity	-54 dB (1 kHz 0 dB=1 V/Pa)
Frequency Response	70 - 15,000 Hz
Applicable Connector	XLR-3-11C type connector
Talk Switch	Short-off, slide switch
Finish	Body: Die-cast zinc, metallic gray, paint Head: Steel/zinc-plated steel wire, metallic gray, paint
Dimensions	∅51 × 170 mm
Weight	245 g
Accessory	Microphone holder (NS5/8).....1, Thread adapter (NS5/8 → U5/16 or (W3/8)).....1

Note: Microphone cables are not supplied with the microphone.

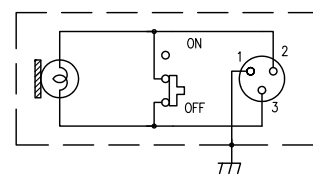
APPEARANCE



Microphone Holder



Thread Adapter



Circuit Diagram

UNIT:mm SCALE:1/2