

D-911 VCA FADER UNIT

D-911

Thank you for purchasing TOA's D-911 VCA Fader unit.
Please carefully follow the instructions in this manual to ensure long, trouble-free use of your equipment.

1. GENERAL DESCRIPTION

The D-911 VCA Fader Unit is designed to be used in conjunction with the D-901 Digital Mixer. Connecting to the D-984VC VCA Control Module permits volume adjustment of all the channels and contact controls of the D-901 Mixer.

2. HANDLING PRECAUTIONS

- The D-911 Fader Unit is connected to the VCA control modules mounted in the D-901 Digital Mixer. Connect each of eight terminals to the D-984VC's terminal of the same name by way of the fully-connected straight cable as shown on the right.
- Use the D-901 firmware of version 3.0 or later. Firmware versions earlier than it cannot be used in conjunction with the fader unit.
The firmware version number can be confirmed on the D-901's front panel-mounted display.

[Connection]



[Display example]

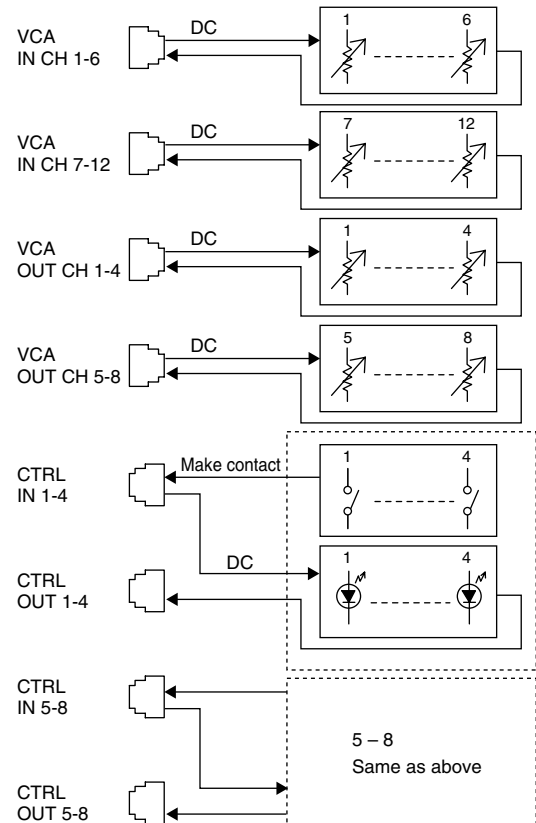
TOA D-901 Series
Software Ver 3.00

- If your firmware version is old, download the latest software program and the "D901 PC software instruction manual" from the TOA Internet product data site [<http://www.toa-products.com/>]. For the update procedure, refer to the instruction manual.
- For channels with stereo link or group settings established at the D-901, the lowest numbered channels in the stereo linked or grouped channels are enabled.
- Control's knob position 10 of the D-911 provides the channel gain set by the D-901. As a guide, knob position 8 provides about 10 dB below the gain set by the D-901.

4. SPECIFICATIONS

Power Supply	5 V DC (supplied from the optional D-984VC)
Connector	RJ45 connector x 8
Input Fader Control	Input fader (100 mm) x 12
Output Volume Control	Output volume control x 8
Contact Control	Illuminated switch x 8
Remote Output	No-voltage make contact output (contact capacity: 30 V DC, 4 A)
Remote Switch	Seesaw switch for activating the remote function of the power distributor
Finish	Panel: Pre-coated steel plate, black (30% glossy)
Dimensions	482.6 (w) x 177 (h) x 61.3 (d) mm (excluding projection)
Weight	2.7 kg

3. BLOCK DIAGRAM



• Accessories

- Fader knob (Red, Yellow)* 3 each
- Volume knob (Red)* 2
- Rack mounting screw 4
- Rack mounting fiber washer 4
- Rack mounting bracket (preinstalled on the unit) ... 2

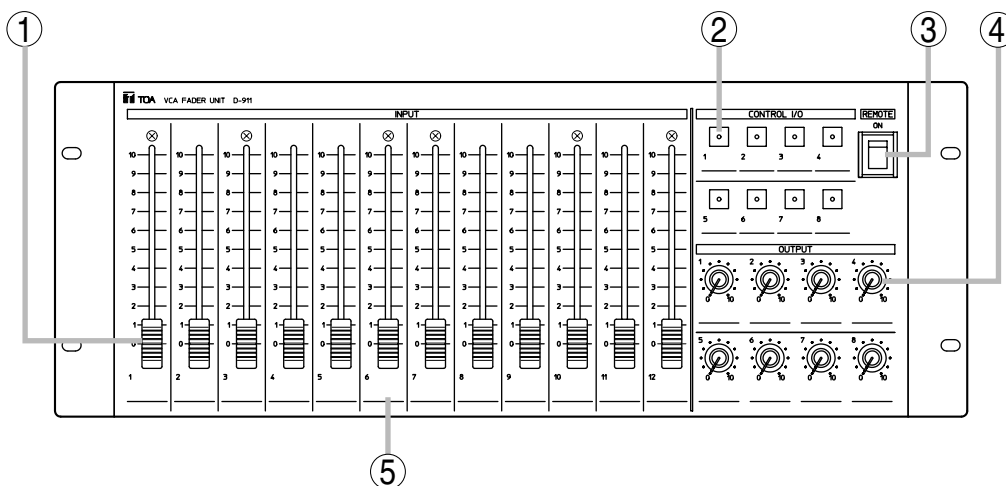
* Convenient for color coding to distinguish channels to which stereo link or group settings are assigned.

Note

The design and specifications are subject to change without notice for improvement.

5. NOMENCLATURE AND FUNCTIONS

[Front]



1. Input volume controls

Adjust the volume of connected input equipment, such as a microphone and CD player. Knob position 0 reduces the volume to its lowest setting and position 10 increases the volume to its highest setting.

2. Control keys

Used to recall preset memories or perform contact controls. These keys light when the preset memory is recalled or the contact turns on. (Functions can be assigned to the contacts at the D-901.)

3. Remote (Activation) switch

Setting this switch to the ON position closes the Remote (activation) output terminals on the rear panel, and setting this switch to the opposite side opens the output.

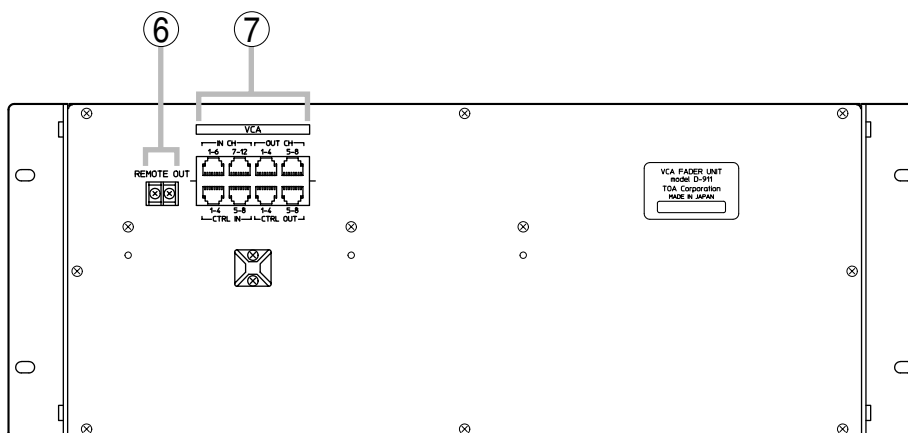
4. Output volume controls

Adjust the output volume.

5. Name indication spaces

Used to indicate input and output names, preset memory contents, and other features for convenience of operation.
(Example: CD player)

[Rear]



6. Remote (activation) output terminals

Setting the Remote (activation) switch (3) to the ON position closes the output.

7. VCA control module connection terminals

These terminals are used exclusively for the D-984VC VCA Control module. Use an RJ45 connector for connection. Avoid connecting any other than the D-984VC to these terminals.