

DESCRIPTION

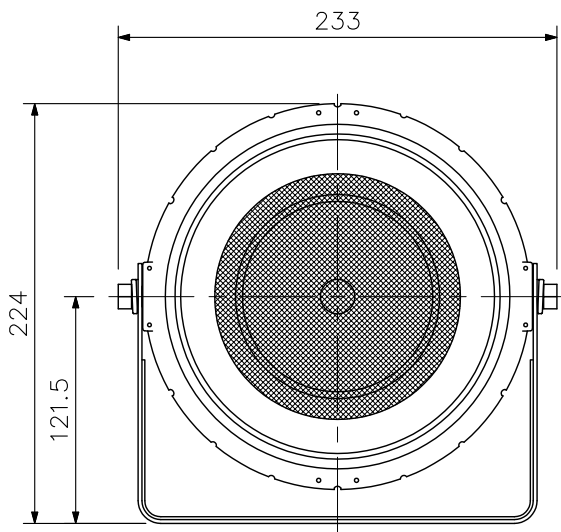
The CS-64U outdoor speaker features stainless steel hardware for all-weather durability. It is designed to offer the high intelligibility of weather-resistant horns combined with the high sound quality of dynamic speakers. The CS-64U employs the rotary switch that facilitates impedance changes.

SPECIFICATIONS

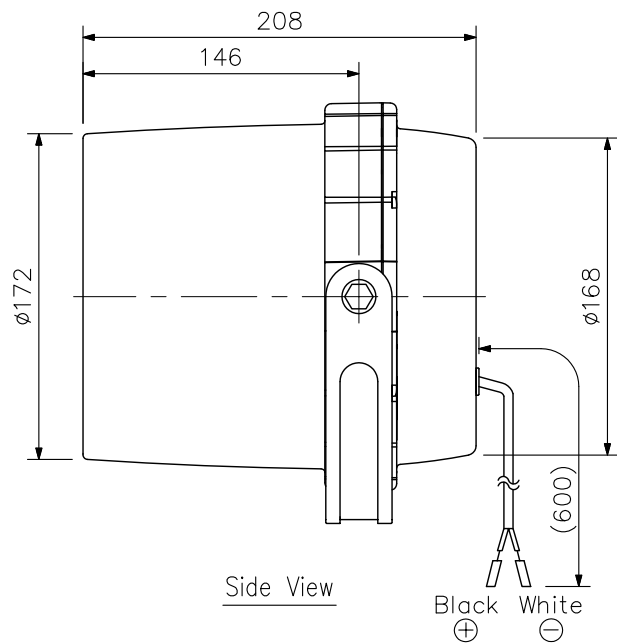
Rated Input	6 W
Rated Impedance	100 V line: 1.7 kΩ (6 W), 3.3 kΩ (3 W), 10 kΩ (1 W) 70 V line: 830 Ω (6 W), 1.7 kΩ (3 W), 3.3 kΩ (1.5 W), 10 kΩ (0.5 W)
Sensitivity	96 dB (1 W, 1 m)
Frequency Response	130 Hz – 13 kHz
Speaker Component	12 cm cone-type (treated for splash proof)
Speaker Cord	2-core cabtyre cord with diameter of 6 mm
UL Code	UL1480 (UEAY (outdoor use))
Finish	Horn, cover: Fire-resistant ABS resin, off-white, paint Bracket: Stainless steel Punched net: Surface treated steel plate, dark-gray, powder coating Screw: Stainless steel
Dimensions	233 (W) × 224 (H) × 208 (D) mm
Weight	1.5 kg

[Note] Do not install the speaker face-up from a horizontal plane nor in such a way that the paper cone is exposed to direct sunlight.  
If water accumulates on the paper cone, or ultraviolet rays are radiated on it, this may cause the paper cone to deteriorate, leading to speaker malfunction.

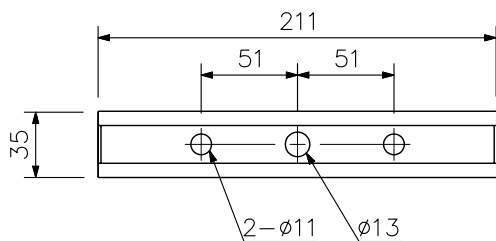
APPEARANCE



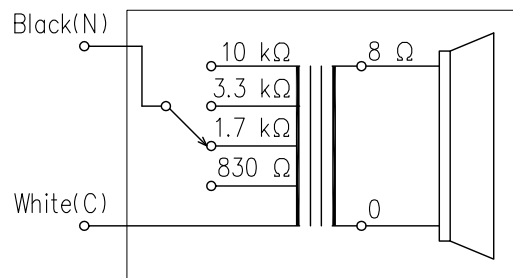
Front View



Side View



Dimensional Diagram



(Transformer connection when the speaker is supplied from the factory)

Wiring Diagram

UNIT:mm SCALE:1/4

Note: Numerical values in parentheses are for reference only.