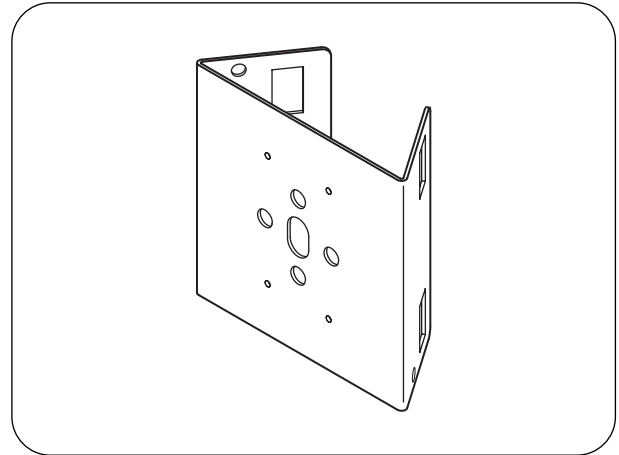


POLE MOUNTING BRACKET

C-BC450PM

Thank you for purchasing TOA's Pole Mounting Bracket. Please carefully follow the instructions in this manual to ensure long, trouble-free use of your equipment.



1. SAFETY PRECAUTIONS

- Before installation or use, be sure to carefully read all the instructions in this section for correct and safe operation.
- Make sure to observe the instructions in this manual as the conventions of safety symbols and messages regarded as very important precautions are included.
- We also recommend you keep this instruction manual handy for future reference.



WARNING

Indicates a potentially hazardous situation which, if mishandled, could result in death or serious personal injury.

When Installing the Unit

- Install the unit only in a location that can structurally support the weight of the unit and the mounting bracket. Doing otherwise may result in the unit falling down and causing personal injury and/or property damage.
- Do not use other methods than specified to mount the bracket. Extreme force is applied to the unit and the unit could fall off, possibly resulting in personal injuries.
- Tighten each nut and bolt securely. Ensure that the bracket has no loose joints after installation to prevent accidents that could result in personal injury.
- Avoid installing the unit in locations exposed to sea breeze or corrosive gas. The unit or its mounts may be subject to corrosion, that might cause it to fall or result in other accidents.
- Do not mount the unit in locations exposed to constant vibration. The mounting screws and/or bolts may be loosened by excessive vibration, potentially causing the unit to fall, which could result in personal injury.



WARNING

Indicates a potentially hazardous situation which, if mishandled, could result in death or serious personal injury.

When Installing the Unit

- Avoid installing the unit at heights exceeding 16 meters above the ground since the unit could be exposed to unexpected strong winds that might cause it to fall or result in other accidents.
- Do not install the unit in the following locations to avoid a traffic accident or personal injury:
 - Locations which block the driving of a car or somebody's passage.
 - Locations where the traffic signal or road sign is hard to be seen.
- Avoid installing or mounting the unit in unstable locations, such as on a rickety table or a slanted surface. Doing so may result in the unit falling down and causing personal injury and/or property damage.



CAUTION

Indicates a potentially hazardous situation which, if mishandled, could result in moderate or minor personal injury, and/or property damage.

When Installing the Unit

- Leave the installation of the unit to your TOA dealer because the installation requires expert experience and skills. The unit may fall off if incorrectly installed, resulting in possible personal injury.
- Avoid touching the unit's sharp metal edge to prevent injury.

When the Unit is in Use

- Do not stand or sit on, nor hang down from the unit as this may cause it to fall down or drop, resulting in personal injury and/or property damage.
- Have the unit checked periodically by the shop from where it was purchased. Failure to do so may result in corrosion or damage to the unit or its mounting bracket that could cause the unit to fall, possibly causing personal injury.

2. GENERAL DESCRIPTION

The C-BC450PM Pole Mounting Bracket is designed to mount the C-CV44-3 Outdoor-Use Color Camera (option) on a pole in conjunction with the optional YS-60B Mounting Band.

It also permits the C-CV854D-3 Vandal Resistant Day/Night Camera (option) to be mounted on a pole in conjunction with the optional YS-60B Mounting Band and C-BC850W Wall Mounting Bracket.

3. HANDLING PRECAUTIONS

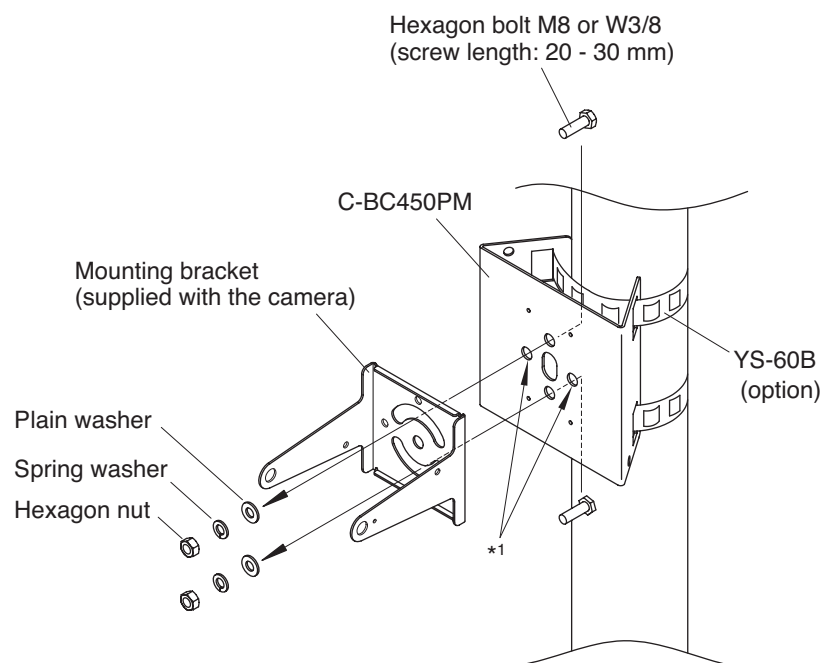
- When mounting the units to a pole, pay special attention to the sway and strength of the pole, and mount it securely at an appropriate height that will not cause the pole to sway and possibly weaken it. Moreover, avoid mounting the units to a pole on which other objects susceptible to wind are also mounted.
- Do not install the unit in locations exposed to constant vibration. Do not install the unit in a vehicle nor ship.
- Avoid installing the units on sea or shore, or in locations exposed to corrosive gas, herbicides or other sprayed liquid chemicals, or extraordinary combustible conditions.
- Do not give vibration or shock to the unit. The mounting bracket can be damaged or fallen down.

4. INSTALLATION

Install the camera to the mounting bracket using the mounting holes and screws shown in the figures below. The YS-60B Mounting Band and screws are not included as standard accessories and should be obtained separately.

4.1. Installing the C-CV44-3

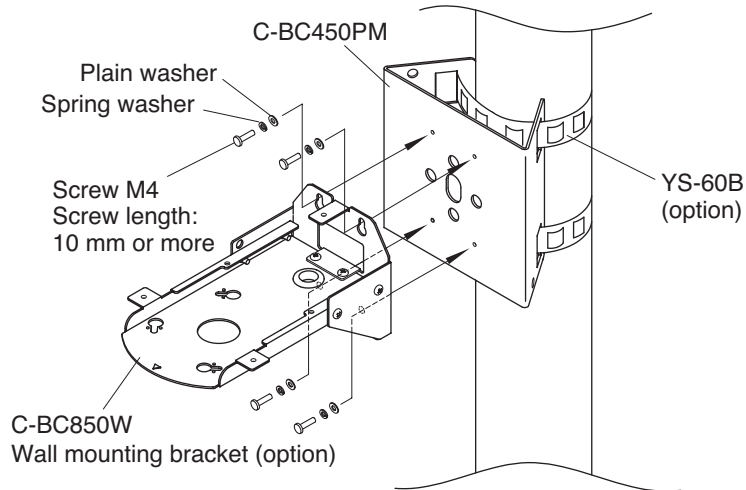
- Attach the mounting bracket supplied with the camera using 2 sets of hexagon bolts, plain washers, spring washers, and hexagon nuts.
- For the camera installation, refer to the instruction manual attached to the camera.



*1 Use these holes to direct the camera in the panning direction.

4.2. Attaching the C-BC850W

- Attach the wall mounting bracket supplied with the C-BC850W to the C-BC450PM using 4 sets of M4 screws, plain washers, and spring washers.
- For mounting details of the wall mounting bracket, refer to the instruction manual attached to the wall mounting bracket.



5. SPECIFICATIONS

Finish	Stainless steel
Dimensions	156 (W) x 150 (H) x 62 (D) mm (6.14" x 5.91" x 2.44")
Weight	660 g (1.46 lb)
Applicable pole diameter	ø90 - ø340 mm (ø3.54" - ø13.4")
Applicable camera	C-CV44-3, C-CV854D-3 *

* When installing this applicable camera, the C-BC850W Wall Mounting Bracket should be obtained separately.