

TOA RECHARGEABLE LITHIUM-ION BATTERY BP-900(UL)

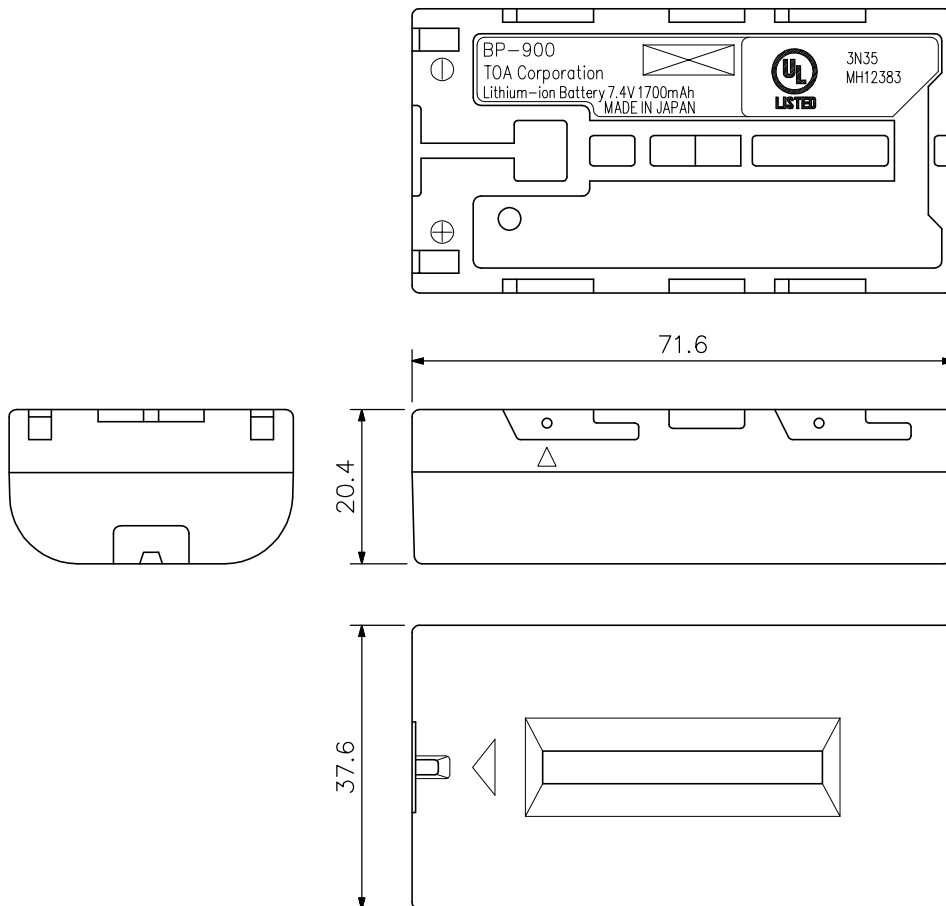
DESCRIPTION

The BP-900 is a rechargeable lithium-ion battery designed for exclusive use with the conference units TS-801, TS-802, TS-901, and TS-902.

SPECIFICATIONS

Nominal Voltage	7.4 V DC
Nominal Capacity	1700 mAh
Operating Temperature	0°C to +40°C
Dimensions	71.6 (W) × 20.4 (H) × 37.6 (D) mm
Weight	95 g
Accessory	Terminal protection cover (pre-installed at the factory)1

APPEARANCE



Note: Be sure to fully charge the battery before use.
Be sure to use the BC-900 charger with an exclusive charging function (optional) when recharging the batteries.

UNIT: mm SCALE: 1/1