

SUBSTATION

Q-RS180BZ

Thank you for purchasing Substation.

Please carefully follow the instructions in this manual to ensure long, trouble-free use of your equipment.

Note: For operation of the units, refer to the N-8000 series operating instructions.

1. GENERAL DESCRIPTION

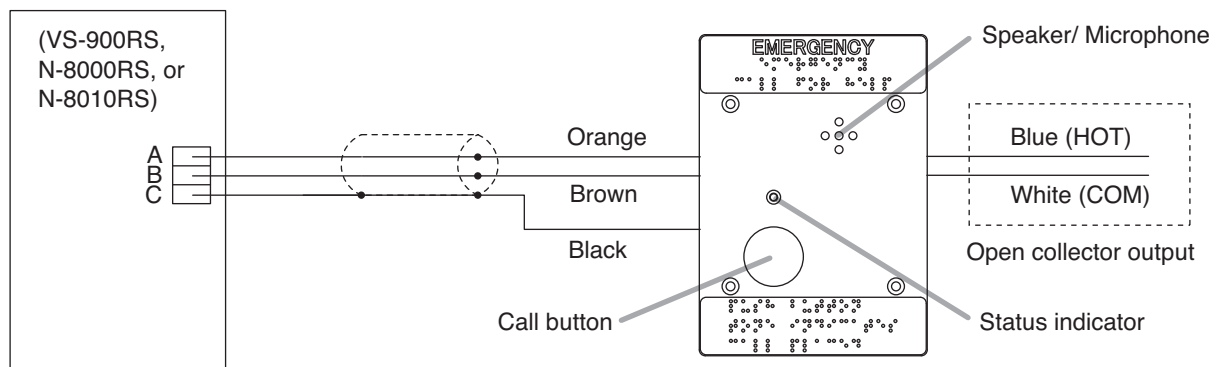
The Q-RS180BZ is a substation of N-8000 network intercom system designed for Rescue Assistance applications and ADA compliance. It has Emergency and Braille signage, a red mushroom call button, water-resistant buzzer, LED indicator and control output. This substation can be connected with N-8000RS or N-8010RS with a 2-core shielded cable.

Warning

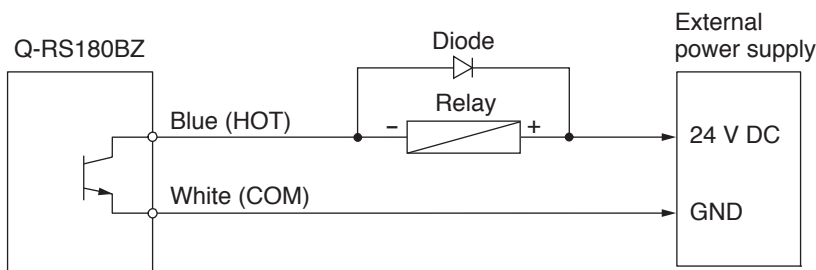
This is a class A product. In a domestic environment this product may cause radio interference in which case the user may be required to take adequate measures.

2. CONNECTION

[Connection to the VS-900RS, N-8000RS, N-8010RS (for 25 V line)]



[Connection to the external relay]



Open collector output: 24 V DC (max.), 30 mA.

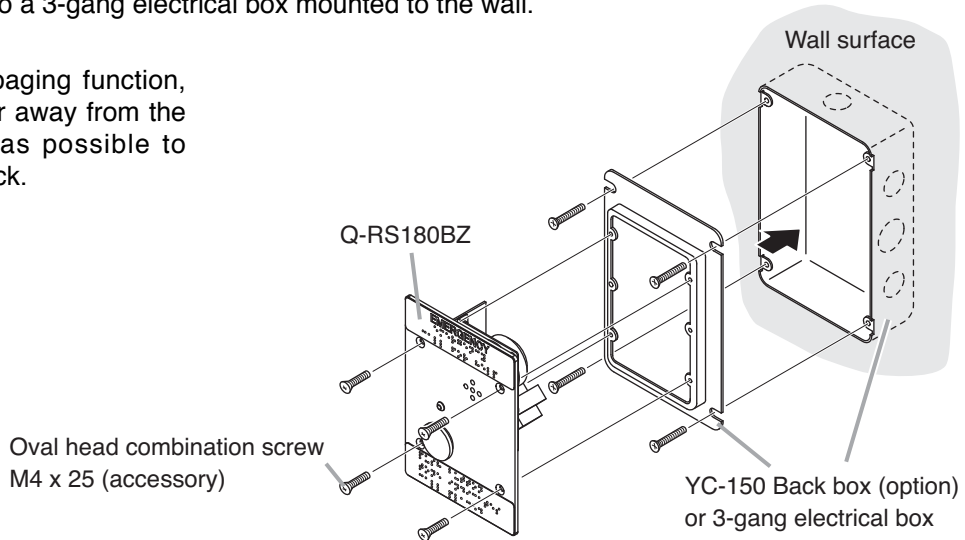
Note: Cut out the control cables if they are not used to avoid short-circuiting.

3. MOUNTING

Mount the substation to a 3-gang electrical box mounted to the wall.

Note

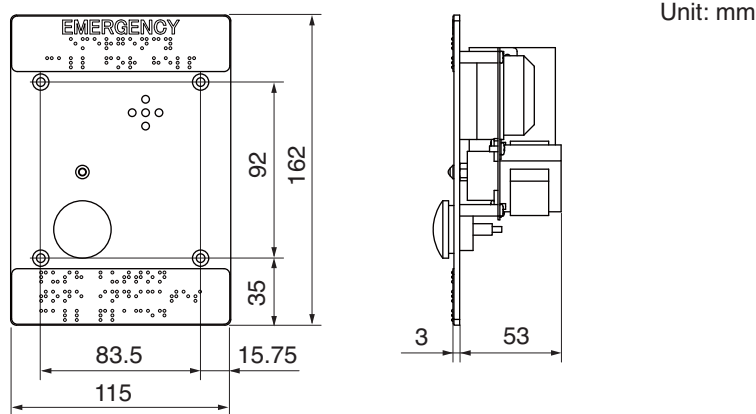
When using the PA paging function, keep the station as far away from the PA paging speaker as possible to avoid acoustic feedback.



Accessory screws

The Q-RS180BZ come with 2 types of screws: M4 x 25 and UNC No. 6-32 x 18. For the electrical box provided with unified threads, use the UNC No. 6-32 x 18.

[Dimensional diagram]



4. SPECIFICATIONS

Rated Input	1 W
Rated Impedance	625 Ω (1 W/ 25 V)
Internal Speaker	4 cm cone type
Buzzer	Water proof type
Control Output	Open collector, Withstand voltage: 30 V DC, Control current: 30 mA (The open collector output and the buzzer are kept turned on till the conversation is finished after the call button was pressed.)
Wiring	Two-core shielded cable
Transmission Range	0.5 km (546 yd)/ ø0.5 mm (AWG24), 0.8 km (874 yd)/ ø0.65 mm (AWG22) 1.3 km (1421 yd)/ ø0.9 mm (AWG19)
Operating Temperature	-10 to +50°C (14 °F to 122 °F) (Temperature range not to freeze the speaker and switch)
Finish	Panel: Stainless steel, hairline Braille: "EMERGENCY PUSH FOR HELP" "FLASHING: CALL PLACED STEADY: CALL ANSWERED" Call button: Metal (RED Mushroom) Printed circuit board: Weather-resistant coating
Dimensions	115 (W) x 162 (H) x 668.8 (D) mm (4.53" (W) x 6.38" (H) x 2.63" (D))
Weight	700 g (1.54 lb)
Accessory	Box mounting screw (No.6-32 UNC x 8) ... 4, Box mounting screw (M4 x 25) ... 4
Applicable Box	3-gang electrical box : YC-150 or YS-13A (option)

Note: The design and specifications are subject to change without notice for improvement.