

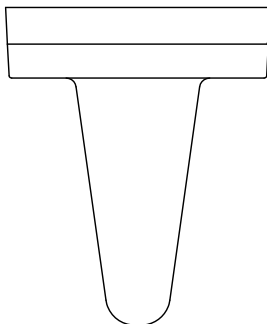
### DESCRIPTION

The YW-4500 wireless remote antenna is designed to be used with UHF wireless microphone systems within its operating frequency range. A built-in RF signal booster is provided to compensate for cable loss conditions. The YW-4500 is a dipole antenna designed to be installed indoors. A coaxial cable with a 75 Ω impedance should be used.

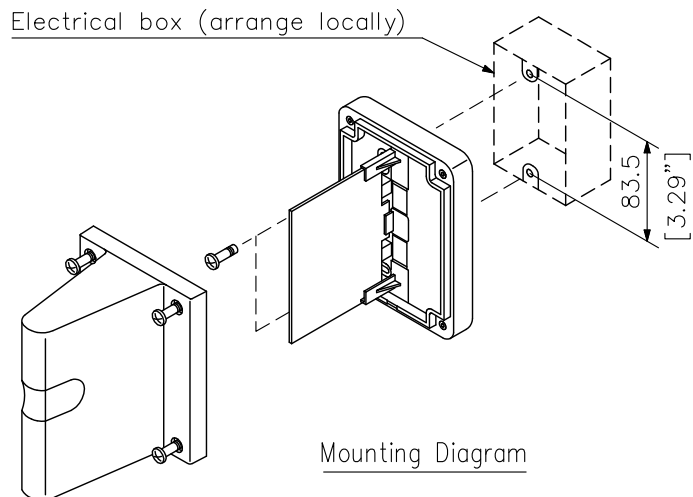
### SPECIFICATIONS

Power Source	7 - 12 V DC (supplied from amplifier or tuner)
Current Consumption	15 mA or less
Receiving Frequency	506 - 580 MHz, UHF
Dipole Ratio Relative Gain	8 dB
VSWR	3.0 or less
Output Impedance	75 Ω
Mounting Hole Pitch	83.5 mm (dimensions for wiring box)
Operating Temperature	-10 °C to +50 °C (14 °F to 122 °F)
Operating Humidity	30 % to 85 %RH (no condensation)
Finish	AES resin, off-white
Dimensions	105 (W) × 140 (H) × 126 (D) mm (4.13" × 5.51" × 4.96")
Weight	270 g (0.6 lb)
Accessory	M3.5 screw for wiring box...2, Tapping screw (M4) for wooden wall...2, RG-6/U or RG-11/U sleeve...1

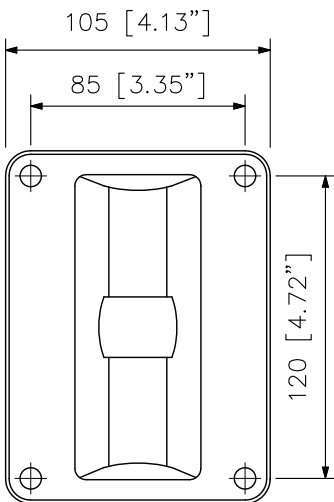
### APPEARANCE



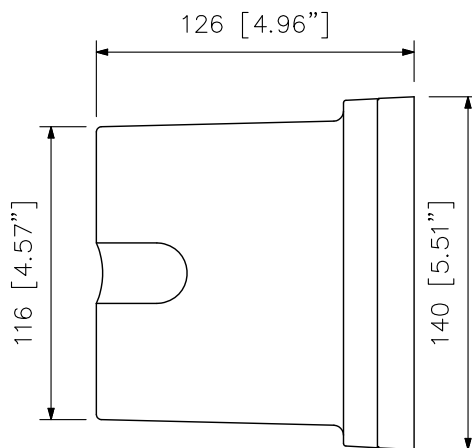
Bottom View



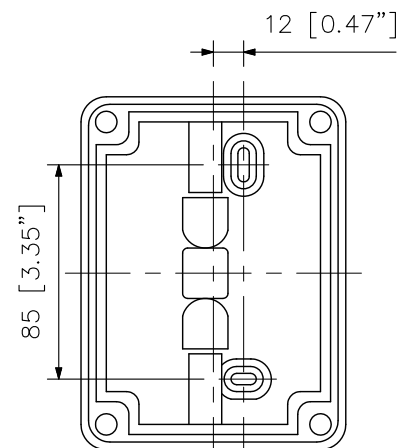
Mounting Diagram



Front View



Side View



Rear View

\* Mounting holes are 12 mm out of the unit's center.

UNIT:mm SCALE:1/3