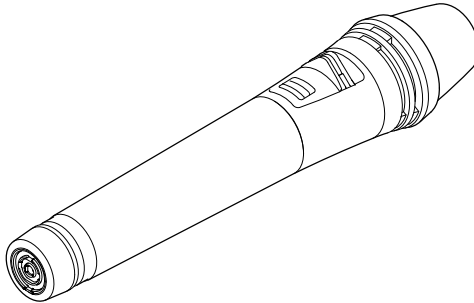




INSTRUCTION MANUAL

DIGITAL WIRELESS MICROPHONE WM-D5200



**NOTE REGARDING THE USE OF
THE DEDICATED BATTERY AND ITS CHARGER**

The BC-2000 Battery Charger and the WB-2000-2 Rechargeable Battery described in the instruction manual are not intended for use in the U.S.A. and Canada, and are therefore not sold in those countries.

Thank you for purchasing TOA's Digital Wireless Microphone.
Please carefully follow the instructions in this manual to ensure long, trouble-free use of your equipment.

TABLE OF CONTENTS

1. SAFETY PRECAUTIONS	3
2. GENERAL DESCRIPTION	5
3. FEATURES	5
4. HANDLING PRECAUTIONS	5
5. NOMENCLATURE AND FUNCTIONS	6
6. PREPARING BATTERIES	8
6.1. Battery Insertion	8
6.2. Guide to Battery Operating Times	8
6.3. When Operating on Rechargeable Battery	9
7. OPERATION	10
8. FUNCTION SETTINGS	10
8.1. Setting the Bank and Channel Numbers	10
8.2. Performing Encryption Settings	11
8.3. Performing Code Settings (When Encryption Function Is OFF)	14
8.4. Performing Transmission Output Changeover Switch Settings	15
9. CONVENIENT FUNCTIONS (MICROPHONE SENSITIVITY SELECTOR SWITCH SETTINGS)	16
10. SPECIFICATIONS	17
Accessories	17

1. SAFETY PRECAUTIONS

- Before use, be sure to carefully read all the instructions in this section for correct and safe operation.
- Be sure to follow all the precautionary instructions in this section, which contain important warnings and/or cautions regarding safety.
- After reading, keep this manual handy for future reference.

WARNING

Indicates a potentially hazardous situation which, if mishandled, could result in death or serious personal injury.

When the Unit is in Use

- Be sure to use a dedicated battery charger when recharging a battery. Using other battery charger may cause the battery to leak or explode, resulting in a fire, personal injury, property damage, and/or pollution.
- To prevent the electromagnetic wave from badly influencing medical equipment, make sure to switch off the unit's power when placing it in close proximity to the medical equipment.

CAUTION

Indicates a potentially hazardous situation which, if mishandled, could result in moderate or minor personal injury, and/or property damage.

When the Unit is in Use

- When the unit is not in use for 2 weeks or more, be sure to take the batteries out of the unit because battery leakage may cause a fire, personal injury, or contamination of environment.
- Make sure to observe the following handling precautions so that a fire or personal injury does not result from leakage or explosion of the battery.
 - Do not short, disassemble, heat nor put the battery into a fire.

- Avoid using both new and old batteries together.
- Never charge batteries of the type which are not rechargeable.
- Do not solder a battery directly.
- Be sure to use the specified type of batteries.
- Note correct polarity (positive and negative orientation) when inserting a battery in the unit.
- Avoid locations exposed to the direct sunlight, high temperature and high humidity when storing batteries.

Do not place the dry cell battery into charger. Placing non-rechargeable batteries in the charger may cause the battery to crack resulting in a fire and/or harm to the body. When recharging, please only use the BC-2000 Battery charger and WB-2000 Battery. Do not use other battery types.

When the battery becomes inflated or leaks, discontinue use and replace with new one immediately.

If there's any burning and/or peculiar smell while charging the battery, please switch off the power immediately.

CAUTION TO USER:

Changes or modifications not expressly approved by the party responsible for compliance could void the user's authority to operate the equipment.

IMPORTANT NOTE: To comply with the FCC RF exposure compliance requirements, no change to the antenna or the device is permitted. Any change to the antenna or the device could result in the device exceeding the RF exposure requirements and void user's authority to operate the device.

This device complies with Industry Canada's licence-exempt RSSs. Operation is subject to the following two conditions:

- (1) This device may not cause interference; and
- (2) This device must accept any interference, including interference that may cause undesired operation of the device.

This device operates on a no-protection, no-interference basis. Should the user seek to obtain protection from other radio services operating in the same TV bands, a radio licence is required. For further details, consult Innovation, Science and Economic Development Canada's document Client Procedures Circular CPC-2-1-28, Voluntary Licensing of Licence-Exempt Low-Power Radio Apparatus in the TV Bands.

Le présent appareil est conforme aux CNR d'Industrie Canada applicables aux appareils radio exempts de licence. L'exploitation est autorisée aux deux conditions suivantes :

- (1) l'appareil ne doit pas produire de brouillage;
- (2) l'utilisateur de l'appareil doit accepter tout brouillage radioélectrique subi, même si le brouillage est susceptible d'en compromettre le fonctionnement.

Ce dispositif fonctionne selon un régime de non-brouillage et de non-protection. Si l'utilisateur devait chercher à obtenir une certaine protection contre d'autres services radio fonctionnant dans les mêmes bandes de télévision, une licence radio serait requise. Pour en savoir plus, veuillez consulter la Circulaire des procédures concernant les clients CPC-2-1-28, Délivrance de licences sur une base volontaire pour les appareils radio de faible puissance exempts de licence et exploités dans les bandes de télévision d'Innovation, Sciences et Développement économique Canada.

2. GENERAL DESCRIPTION

The WM-D5200 is a digital wireless microphone employing a condenser microphone element that features high sensitivity and clear sound quality. The microphone is specially designed to be used in conjunction with TOA's WT-D5800 digital wireless receiver.

3. FEATURES

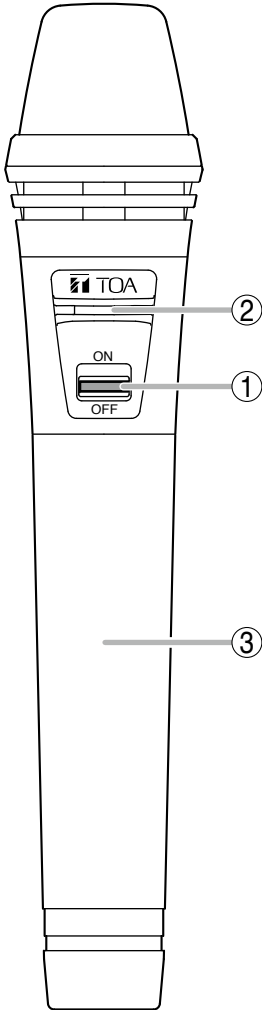
- Employs the PLL-synthesizer system.
- TOA's unique digital audio processing technology ensures high quality sound.
- Digital transmission is highly resistant to radio interference and noise, enabling clearer, more stable communication.
- When used for important conferences or in other high-security venues, TOA's unique encryption software combines with digital transmission technology to prevent leakage of or eavesdropping on sensitive information.
- Switchable microphone sensitivity allows the unit to be used in a wide range of applications.
- Power can be supplied by either the dedicated rechargeable (NiH2 = nickel-hydrogen) battery or an AA alkaline battery. When replacing the rechargeable battery, use the optional TOA WB-2000-2 (package of 2).
- Employs an internal antenna.

4. HANDLING PRECAUTIONS

- Do not expose the unit to rain or an environment where it may be splashed by water or other liquids, as doing so may result in unit failure.
- Never open nor remove the unit case to modify the unit. Refer all servicing to your nearest TOA dealer.
- Take care not to drop the unit onto the floor nor bump it against a hard object as the unit could fail.
- Do not place the unit in locations of high temperature (ex. in an ill-ventilated car in summer) or high humidity as the unit could fail.
- Do not use the unit in locations where it is exposed to seawater.
- To clean, use a dry cloth. When the unit gets very dirty, wipe lightly with a cloth damped in a dilute neutral cleanser, then wipe with a dry cloth. Never use benzine, thinner, or chemically-treated cleaning towel.
- Avoid using a mobile telephone near the unit in use. Noise could be picked up.
- When using two or more units, keep them at least 50 cm away from each other to avoid malfunctions or noise.
- Keep the unit at least 3 m away from the receiving antenna. Using the unit in close proximity to the antenna could result in malfunctions or noise.

5. NOMENCLATURE AND FUNCTIONS

[Front]



1. Power switch [ON/OFF]

Power can be turned on by sliding the power switch to the ON position, while it can be turned off by sliding it back to the OFF position.

2. Battery checker (green/orange/red)

Lit: Power ON

Unlit: Power OFF*

The remaining battery power is represented by the color of the indicator.

Green: Battery power is at full charge.

Orange: Battery power depletion has started.

Red: Battery power is almost depleted, and battery replacement is required.

* When the battery power is depleted, the indicator will not light up.

Note

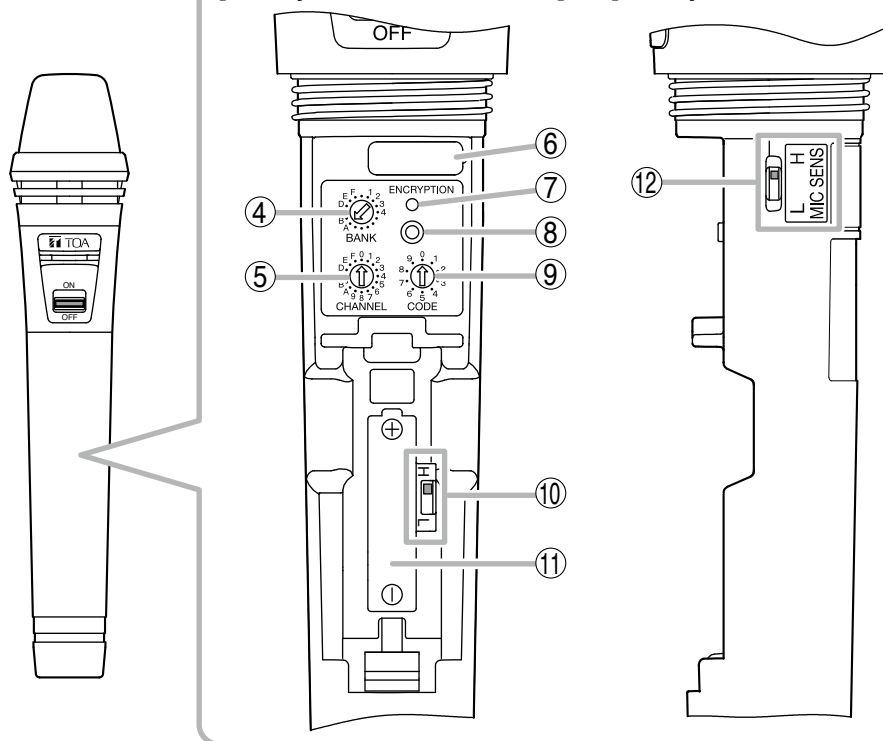
The microphone does not transmit the signal if the bank and channel selector switches are set to the empty channel. In this case, the indicator flashes red and green alternately.

3. Microphone grip (Battery compartment cover)

The internal parts consist of the battery compartment and switches for various settings.

[Battery case internals – front]

[Battery case internals – side]



4. Bank selector switch

Make sure that the microphone is identical to the wireless receiver in the bank number.

5. Channel selector switch

Make sure that the microphone is identical to the wireless receiver in the channel number.

6. Maintenance port

Not used.

Note

Never open the rubber cover.

7. Encryption indicator

Lit: Encryption ON

Unlit: Encryption OFF

8. Encryption setting switch

9. Code setting switch [0 – 9]

10. Transmission output changeover switch

[H/L]

H: 10 mW

L: 1 mW

11. Battery compartment

Insert and use a dedicated rechargeable battery or AA alkaline batteries.

12. Microphone sensitivity selector switch

[H/L]

H: 0 dB

L: -10 dB

6. PREPARING BATTERIES

The WM-D5200 can operate on both the optional rechargeable battery or replaceable dry batteries. Please carefully read the corresponding sections for correct use.

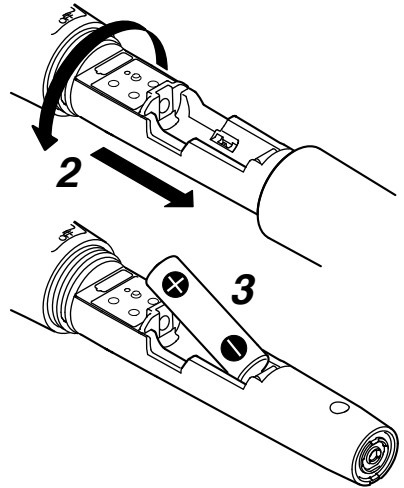
6.1. Battery Insertion

Step 1. Turn off the power switch.

Step 2. Hold the microphone body and rotate the battery compartment cover counterclockwise to remove it.

Step 3. Insert an AA battery according to (+) and (-) indications on the battery compartment. For the rechargeable battery, use the optional TOA WB-2000-2 (package of 2). For dry batteries, use either the supplied battery or commercial AA alkaline batteries (LR6).

Step 4. Replace the battery compartment cover by sliding and rotating it clockwise.

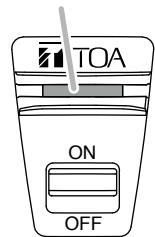


6.2. Guide to Battery Operating Times

6.2.1. Remaining operating time

The color of the battery checker changes from green to orange as battery consumption progresses, and to red if the battery is further continuously used. When the battery checker turns red, charge the battery if the dedicated rechargeable battery is used. In the case of dry batteries, replace it with a new one.

Green → Orange → Red



[Guide to the remaining operating time based on the battery charge indicator status]

Battery checker status	Remaining operating time
Lights green	2 – 8 hours
Lights orange	Less than 2 hours
Lights red	Battery requires charge or replacement.

6.2.2. Continuous operating time

Guide to continuous operating times: Approx. 8 hours (for fully-charged dedicated rechargeable battery or alkaline battery)

Note

Operating times may vary depending on usage conditions, such as ambient temperature.

6.3. When Operating on Rechargeable Battery

CAUTION

Do not charge the unit with an alkaline dry battery installed.
Charge the dedicated rechargeable battery*.

Failure to observe these instructions could cause fire or personal injury due to a bursting battery.

* The optional TOA WB-2000-2 (package of 2).

Notes

- When operating on rechargeable batteries, the optional BC-2000 Battery charger is required.
- For rechargeable batteries, be sure to use the optional BC-2000 or the optional WB-2000-2 (package of 2).
- Avoid using other makes of rechargeable batteries.
- When using the WB-2000 rechargeable battery for the first time or when using it after it has been stored for a long period of time, be sure to charge it before use.
- The WB-2000 battery is designed to cycle through about 500 charges and discharges. When the microphone operation interval becomes extremely short after prolonged repeated use, change the battery with a new one.
- Charge the rechargeable battery after it has been fully used. (The wireless microphone will continue to operate for approx. 8 hours per charge.) Frequent charging at short intervals may shorten the operating life of the rechargeable battery.

[How to charge]

Step 1. Place the WB-2000 rechargeable battery in the wireless microphone.
(See p. 8, "Battery Insertion.")

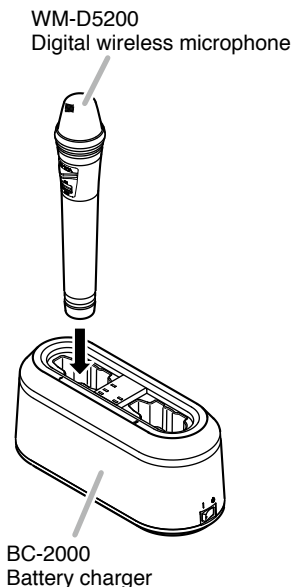
Step 2. Set the wireless microphone's power switch to the OFF position.

Step 3. Fully insert the wireless microphone into the microphone receptacle of the BC-2000 Battery charger.
The BC-2000's charging indicator lights red and charging begins.

Charging is completed in approximately 3 hours and the BC-2000's full-charge indicator lights green.

- If the red charging indicator does not light even if the wireless microphone has been inserted into the charger, check to see if the microphone has been correctly inserted.
- The wireless microphone becomes warm after charging completion, however this is not a failure.
- When disconnecting the wireless microphone from the charger, firmly hold the charger so that it does not move.

For more information, see the instruction manual enclosed with the BC-2000 Battery charger.



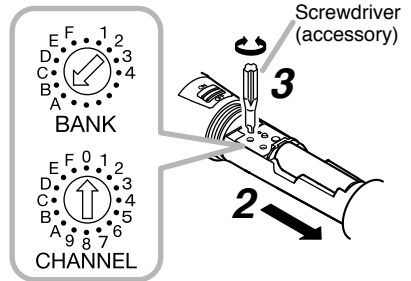
7. OPERATION

- Step 1.** Confirm that the wireless microphone and the wireless receiver are identical in the bank and channel numbers
If not identical, turn the power switch to the OFF position, then set the bank and channel numbers to the same ones as the receiver.
- Step 2.** Turn the Power switch to the ON position. Then, confirm the battery checker will light green or orange.
- Step 3.** Turn the Power switch to the OFF position after use.

8. FUNCTION SETTINGS

8.1. Setting the Bank and Channel Numbers

- Step 1.** Switch off the power.
- Step 2.** Rotate the battery compartment cover counterclockwise to detach it.
- Step 3.** Using the supplied screwdriver, set the bank selector switch's pointer to the desired number, and set the channel selector switch's pointer likewise.
- Step 4.** Replace the battery compartment cover.



8.2. Performing Encryption Settings

To enhance security, the WM-D5200 is provided with an encryption setting function that prevents leakage of transmitted information.

This function also has the advantage of eliminating radio interference if enabled. Before enabling the encryption setting, be sure that bank and channel settings are completed first.

Tip

In addition to the WM-D5200, the WT-D5800 Digital Wireless Receiver also requires setup. Therefore, be sure to see the receiver's instruction manual as well.

8.2.1. Encryption settings summary

[Before use (preparatory operation for setting)]

Transmit an ID number from the wireless microphone to the receiver. The ID number is randomly selected on the wireless microphone side. The ID number to be used is selected from an extensive number of combinations and cannot be designated by the operator, nor can it be identified from outside.

[In use] (No operations required.)

When the receiver detects a signal from the wireless microphone, it simultaneously reads the microphone's ID information, ensuring that only the audio of the wireless microphone assigned with the same ID number as the receiver can be output. Even if the bank/channel numbers are identically set in an attempt to enable reception of a radio signal from outside, since no audio is output if the ID number does not match, the possibility of leakage of transmitted information to the outside is quite low.

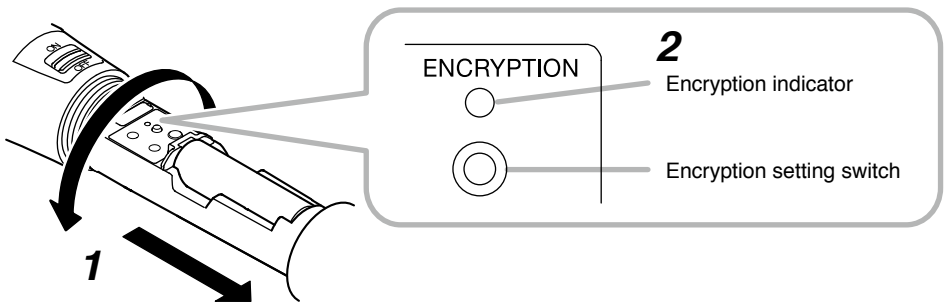
[Encryption setting ON/OFF confirmation]

Step 1. After removing the battery compartment cover, switch ON the microphone power switch.

Step 2. Confirm the status of the Encryption indicator.

The setting is ON when the indicator is lit, and OFF when the indicator is unlit.

Note: The encryption setting is factory-preset to OFF



8.2.2. Performing encryption settings

[Switching the Encryption function from OFF to ON]

See also the instruction manual enclosed with the WT-D5800 receiver.

Step 1. Enable the receiver's encryption function.

Step 2. With the battery compartment cover removed, switch ON the microphone power switch and confirm that the Encryption indicator is unlit.

If the indicator is lit, switch encryption from ON to OFF (see p. 13).

Step 3. Switch OFF the microphone power switch.

Step 4. Switch ON the microphone power switch while holding down the microphone's Encryption setting switch (continue holding until **Step 6**).

Confirm that the microphone's Encryption indicator is flashing.

An ID number is transmitted while the microphone's Encryption setting switch is held down.

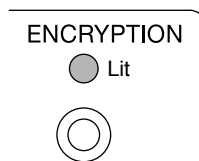
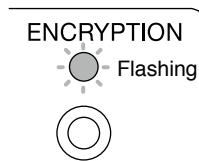
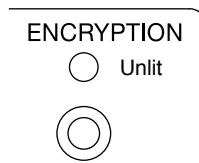
Step 5. Perform pairing setting at the receiver.

The receiver waits for the microphone's transmitted ID number for as long as the Set key is held down. The "RECEIVING" indication is displayed on the receiver's LCD screen until the ID number is correctly received.

Step 6. After confirming that the LCD display has switched to the "SUCCESS" indication, release both the microphone's Encryption setting switch and the receiver's Set key.

Step 7. Confirm that the microphone's Encryption indicator is lit.

The encryption setting is now ON.



Notes

- Do not switch OFF the power to the microphone or receiver during setting.
- Hold down the microphone's Encryption setting switch and the receiver's Set key until the "SUCCESS" indication appears on the receiver's LCD screen.
If the microphone's Encryption setting switch or the receiver's Set key is released while the "RECEIVING" indication is displayed on the receiver's screen, the receiver will not have correctly received the new ID number, leaving the ID number unchanged from the previous value. To match the receiver ID number with the microphone ID number, switch OFF the microphone's encryption setting, then repeat **Steps 1 – 7** above.

Tips

- The ID number is updated when the encryption is switched from OFF to ON again. (The encryption ON/OFF status and ID number are retained even if the power switch is switched OFF.)
- Settings can be performed regardless of whether the microphone or receiver Encryption setting switch was depressed first.
- The receiver does not output audio during ID number setting, even if it receives a radio signal from the microphone.

[Switching the Encryption function from ON to OFF]

Step 1. With the battery compartment cover removed, switch ON the microphone power switch and confirm that the Encryption indicator is lit.

Step 2. Switch OFF the power switch.

Step 3. Switch ON the microphone power switch while holding down the Encryption setting switch.

Note

Do not switch OFF the microphone power switch during setting.

Step 4. Confirm that the Encryption indicator has extinguished, then release the Encryption setting switch.
The encryption setting switches to OFF.

ENCRYPTION



ENCRYPTION



8.3. Performing Code Settings (When Encryption Function Is OFF)

8.3.1. Code Setting Summary

By presetting the specified code between the wireless microphone and receiver, audio is only output when a digital signal received from the wireless microphone has the same ID code as the receiver. Even if another signal is received from an adjacent area, if the code does not match, audio is not output.

Ten varieties of code can be selected ([0] – [9]) for appropriate use, depending on circumstances.

8.3.2. Code settings

Code is factory-preset to "0."

Note

Switch OFF the microphone power switch when performing settings. If the power switch is left ON, the codes will remain unaffected even if the settings are manually changed.

Step 1. After removing the battery compartment cover, switch ON the microphone power switch.

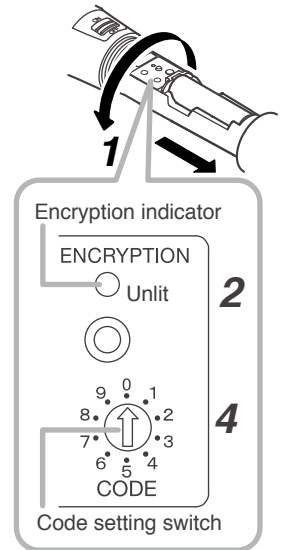
Step 2. Confirm that the Encryption indicator is unlit.
If it is lit, switch encryption from ON to OFF, referring to p. 12, "Switching the Encryption function from OFF to ON."

Step 3. Switch OFF the power.

Step 4. Using the supplied screwdriver, set the code setting switch to the desired code number.

Step 5. Reinstall and securely tighten the battery compartment cover, as it was before.
This puts the code into the set state.

Step 6. Set the same code number for the receiver, as well.
For the setting method, see the instruction manual enclosed with the receiver.



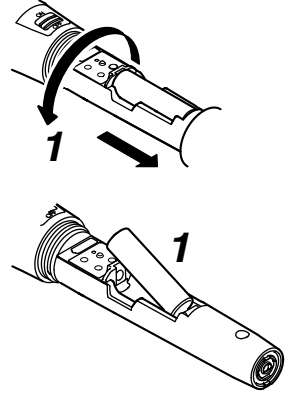
8.4. Performing Transmission Output Changeover Switch Settings

Transmission can be set for either of two outputs: 'H' (10 mW) or 'L' (1 mW). The switch is factory-preset to the 'H' position.

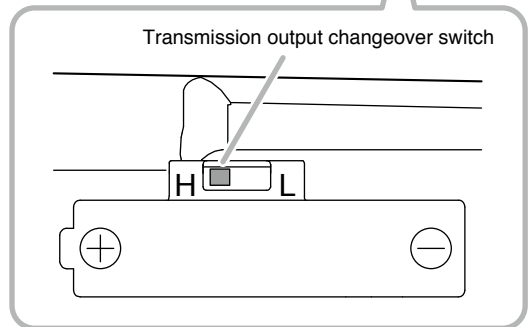
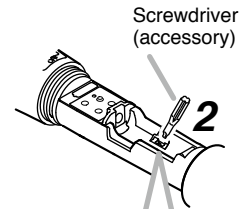
Note

Be sure to turn the microphone's power switch OFF before performing settings.

Step 1. Confirm that the power switch is turned OFF, then remove the battery compartment cover and battery.



Step 2. Using the supplied screwdriver, set the changeover switch to the desired transmission output. Set the switch to the 'H' position when using the microphone in a wide area. If the same bank and channel are used in close proximity in adjacent locations, set the switch to the 'L' position to shorten the radio wave transmission range for each location to minimize interference.



Step 3. Reinsert the battery and securely replace the battery compartment cover.

9. CONVENIENT FUNCTIONS (Microphone Sensitivity Selector Switch Settings)

Microphone sensitivity can be set to "0 dB" (H) or "-10 dB" (L).

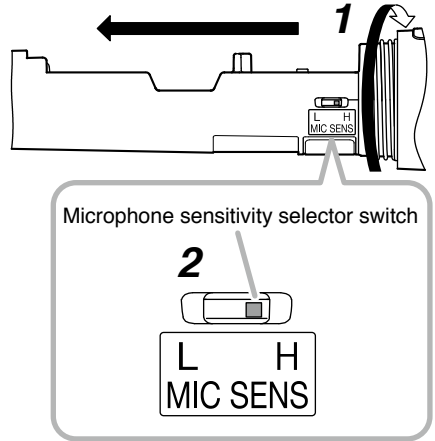
Notes

- Switch OFF the power switch when selecting the sensitivity.
- When the sensitivity is set to "H," avoid positioning the microphone too close to the mouth and speaking in a loud voice, as the sound could become muddled and difficult to understand.

Step 1. Confirm that the power switch has been switched off, then remove the battery compartment cover.

Step 2. Using the supplied screwdriver, set the switch to the desired sensitivity.

Step 3. Reinstall and securely tighten the battery compartment cover, as it was before.



10. SPECIFICATIONS

Microphone Element	Electret condenser unit: Unidirectional
Modulation type	FSK
Version and Frequency Range	WM-D5200 -C4, -C7: 794 – 832 MHz (794 – 806 MHz for Thailand) WM-D5200 -G1: 606 – 636 MHz WM-D5200 -H1: 576 – 606 MHz
Channel Selectable	160 channels (The number of channels may differ from country to country.)
RF Carrier Power	Less than 50 mW
Maximum Input Level	132 dB SPL (Sensitivity: L)/122 dB SPL (Sensitivity: H)
Audio Frequency Response	100 Hz – 12 kHz
Antenna	Built-in type
Dynamic Range	Typ. 90 dB (when used with WT-D5800)
ID Selectable	10 patterns
Battery	WB-2000 rechargeable battery (option) or AA Alkaline dry cell battery
Battery Life	Approx. 8 hours
Operating Temperature	-10 to +50 °C (14 to 122 °F) (except battery)
Operating Humidity	30 to 85 %RH (no condensation)
Finish	Body: ABS resin, black, coating Head: steel, black, paint
Dimensions	ø47 × 239.5 mm (ø1.85" × 9.43")
Weight	220 g (0.49 lb) (with battery)

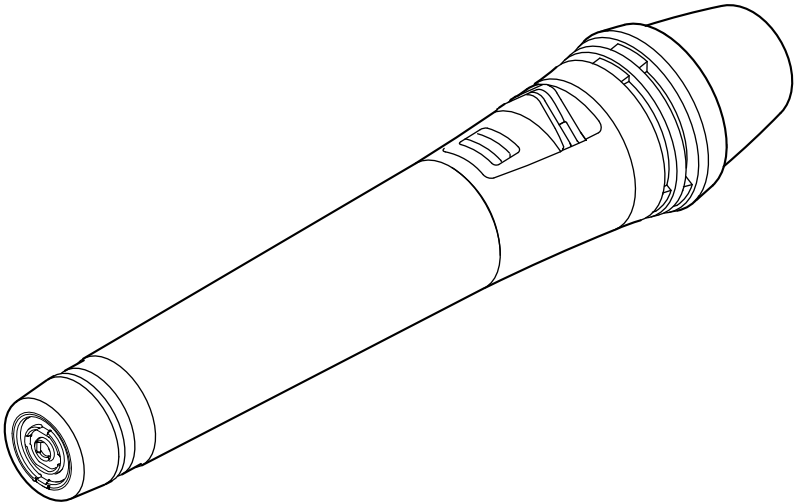
Note: The design and specifications are subject to change without notice for improvement.

• Accessories

Storage case	1
Screw driver (for setting)	1
Microphone holder	1

Note

The WM-D5200 cannot communicate with the TRANTEC Wireless System (S4 and S5 Series) nor with the TOA Analog Wireless System (WT-5800, WT-5805, and WT-5810 etc.).



Wir danken Ihnen für den Kauf dieses digitalen Drahtlosmikrofons von TOA.
Beachten Sie bitte die Anweisungen in dieser Bedienungsanleitung, um einen langen und störungsfreien Betrieb des Geräts zu gewährleisten.

INHALTSVERZEICHNIS

1. SICHERHEITSHINWEISE	20
2. ALLGEMEINE BESCHREIBUNG	21
3. LEISTUNGSMERKMALE	21
4. VORSICHTSMASSNAHMEN BEI DER HANDHABUNG	21
5. BEZEICHNUNGEN UND FUNKTIONEN	22
6. VORBEREITEN DER BATTERIE	24
6.1. Einsetzen der Batterie	24
6.2. Leitfaden zur Batterie-Betriebsdauer	24
6.3. Bei Betrieb mit einem Akku	25
7. BEDIENUNG	26
8. FUNKTIONSEINSTELLUNGEN	26
8.1. Einstellen der Frequenzbank- und Kanalnummer	26
8.2. Vornehmen von Verschlüsselungseinstellungen	27
8.3. Durchführen von Code-Einstellungen (bei deaktivierter Verschlüsselungsfunktion)	30
8.4. Einstellen des Sendeleistungsumschalters	31
9. WEITERE FUNKTIONEN (MIKROFONEMPFLINDLICHKEITS-WÄHLSCHALTER)	32
10. TECHNISCHE DATEN	33
Zubehör	33

1. SICHERHEITSHINWEISE

- Lesen Sie vor der Inbetriebnahme unbedingt alle Anweisungen in diesem Abschnitt aufmerksam durch, damit ein korrekter und sicherer Betrieb gewährleistet ist.
- Folgen Sie unbedingt allen Vorsichtsmaßnahmen in diesem Abschnitt, die wichtige, die Sicherheit betreffende Warn- und/oder Sicherheitshinweise enthalten.
- Bewahren Sie diese Anleitung nach dem Lesen zur späteren Bezugnahme griffbereit auf.

WARNUNG

Macht auf eine potenziell gefährliche Situation aufmerksam. Die Nichtbeachtung der Warnhinweise kann zu Verletzungen, möglicherweise auch mit tödlichem Ausgang, führen.

Beim Gebrauch des Geräts

- Verwenden Sie zum Laden eines Akkus unbedingt das spezielle Ladegerät. Bei Verwendung eines anderen Ladegeräts kann die Batterie auslaufen oder explodieren, was einen Brand, eine Körperverletzung, einen Sachschaden oder Umweltverschmutzung zur Folge haben kann.
- Das Gerät bitte nach Gebrauch immer ausschalten. Insbesondere ist darauf zu achten, dass es zu keiner gegenseitigen Beeinflussung mit medizintechnischen Geräten kommt.

ACHTUNG

Macht auf eine potenziell gefährliche Situation aufmerksam. Die Nichtbeachtung dieser Hinweise kann zu leichten Verletzungen oder Sachschäden führen.

Beim Gebrauch des Geräts

- Wenn das Gerät voraussichtlich 2 Wochen oder länger nicht gebraucht wird, entfernen Sie unbedingt die Batterien aus dem Gerät, da diese anderenfalls auslaufen und einen Brand, eine Verletzung oder Umweltverschmutzung verursachen könnte.
- Achten Sie darauf, dass bei der Handhabung die nachstehenden Vorsichtsmaßnahmen eingehalten werden, um einen Brand oder eine Verletzung durch Auslaufen oder Bersten der Batterie zu vermeiden.

- Die Batterie nicht kurzschließen, zerlegen, erhitzen oder verbrennen.
- Neue und alte Batterien nicht zusammen verwenden.
- Niemals versuchen, Batterien zu laden.
- Batterien nicht fest anlöten.
- Unbedingt eine Batterie des vorgeschriebenen Typs verwenden.
- Beim Einlegen der Batterie in das Gerät auf korrekte Ausrichtung der Batteriepole (Plus und Minus) achten.
- Batterien nicht an Orten aufbewahren, wo sie direktem Sonnenlicht, hohen Temperaturen und hoher Luftfeuchtigkeit ausgesetzt sind.

Legen Sie keine Batterien in das Ladegerät ein.

Wenn Batterien in das Ladegerät gelegt werden, können sie explodieren und einen Brand und/oder eine Verletzung verursachen. Verwenden Sie zum Wiederaufladen ausschließlich das Ladegerät BC-2000 und den Akku WB-2000.

Verwenden Sie keine anderen Batterietypen. Sollte die Batterie anschwellen oder auslaufen, sehen Sie sofort von einer weiteren Nutzung ab und ersetzen sie durch eine neue.

Sollte sich beim Laden der Batterie Rauch und/oder ein ungewöhnlicher Geruch entwickeln, schalten Sie das Gerät unverzüglich aus.

WARNHINWEIS:

Der Versuch, Änderungen oder Modifikationen am Gerät vorzunehmen, die nicht von der zuständigen Stelle genehmigt wurden, kann zu Schäden am Gerät und zum Erlöschen der Betriebserlaubnis für das Gerät führen.

2. ALLGEMEINE BESCHREIBUNG

Das WM-D5200 ist ein digitales Drahtlosmikrofon, in dem ein Kondensatormikrofonelement zum Einsatz kommt, das sich durch hohe Empfindlichkeit und Tonqualität auszeichnet. Das Mikrofon wurde speziell für den Gebrauch mit dem digitalen Drahtlosempfänger WT-D5800 von TOA entwickelt.

3. LEISTUNGSMERKMALE

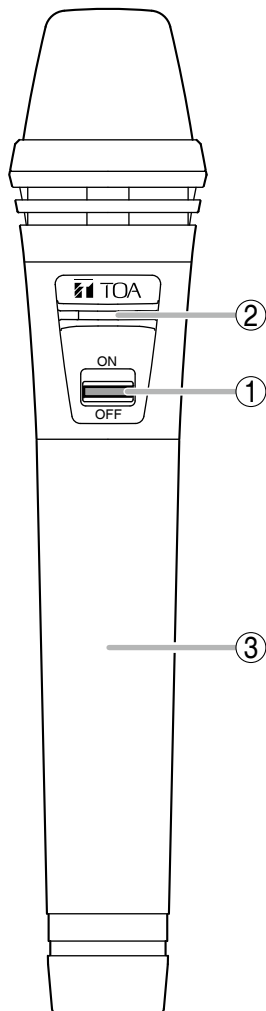
- Mit PLL-Synthesizertechnik.
- TOAs einzigartige digitale Tonbearbeitungstechnologie garantiert einen qualitativ hochwertigen Klang.
- Die digitale Übertragung ist äußerst unempfindlich gegen Funkstörungen und Rauschen, was eine klarere, stabilere Kommunikation ermöglicht.
- Beim Einsatz für wichtige Konferenzen oder andere Veranstaltungen, bei denen Sicherheit vorrangig ist, arbeitet TOAs einzigartige Verschlüsselungssoftware mit der digitalen Übertragungstechnologie, damit vertrauliche Informationen nicht nach außen dringen und ein unbefugtes Abhören verhindert wird.
- Die einstellbare Mikrofonempfindlichkeit erlaubt den Einsatz für vielfältige Anwendungen.
- Als Stromquelle kann entweder der spezielle (NiH₂ = Nickel-Hydrogen)-Akku oder eine Alkalibatterie des Typs AA verwendet werden. Verwenden Sie zum Ersetzen des Akkus den optionalen Akkusatz WB-200-2 (2er-Packung).
- Mit interner Antenne.

4. VORSICHTSMASSNAHMEN BEI DER HANDHABUNG

- Setzen Sie das Gerät keinem Regen aus und verwenden Sie es nicht an Orten, wo Wasserspritzer oder andere Flüssigkeiten auf das Gerät spritzen können, da dies eine Gerätestörung zur Folge haben kann.
- Öffnen oder entfernen Sie niemals das Gehäuse des Geräts, um Änderungen an ihm vorzunehmen. Überlassen Sie alle Wartungsarbeiten Ihrem TOA-Fachhändler.
- Achten Sie darauf, dass das Gerät keinen Fall erleidet und nirgends anstößt, da dies einen Geräteausfall zur Folge haben kann.
- Setzen Sie das Gerät nicht hohen Temperaturen (z.B. in einem schlecht belüfteten Fahrzeug im Sommer) oder sehr hoher Luftfeuchtigkeit aus. Beides kann zu Funktionsstörungen führen.
- Verwenden Sie das Gerät nicht in Umgebungen, in denen es mit Seewasser in Berührung kommen kann.
- Reinigen Sie das Gerät mit einem trockenen oder leicht angefeuchtetem Tuch. Wischen Sie das Gerät nach der Reinigung wieder trocken. Verwenden Sie auf keinen Fall Lösungsmittel, Reinigungsbenzin oder sonstige chemische Reinigungsmittel.
- Vermeiden Sie bei Verwendung des Geräts den Gebrauch von Mobiltelefonen in der Nähe. Rauschen könnte aufgenommen werden.
- Halten Sie zwischen mehreren Geräten einen Mindestabstand von 50 cm ein. Sie vermeiden damit Fehlfunktionen oder Störgeräusche.
- Halten Sie das Gerät mindestens 3 m von der Empfangsantenne fern. Wenn das Gerät in unmittelbarer Nähe der Antenne verwendet wird, kann dies zu Störgeräuschen oder Funktionsstörungen führen.

5. BEZEICHNUNGEN UND FUNKTIONEN

[Vorderseite]



1. Ein-/Ausschalter [ON/OFF]

Zum Einschalten wird der Ein-/Ausschalter auf die ON-Position geschoben, zum Ausschalten wieder auf die OFF-Position.

2. Batterieanzeige (grün/orange/rot)

Leuchtet: Einschaltet
Erloschen: Ausgeschaltet*

Die Farbe der Anzeige gibt Auskunft über die Restspannung der Batterie.

Grün: Die Batterie ist voll geladen.

Orange: Die Batterie ist teilweise entladen.

Rot: Die Batterie ist fast leer und muss ersetzt werden.

* Wenn die Batterie ganz leer ist, leuchtet die Anzeige nicht mehr.

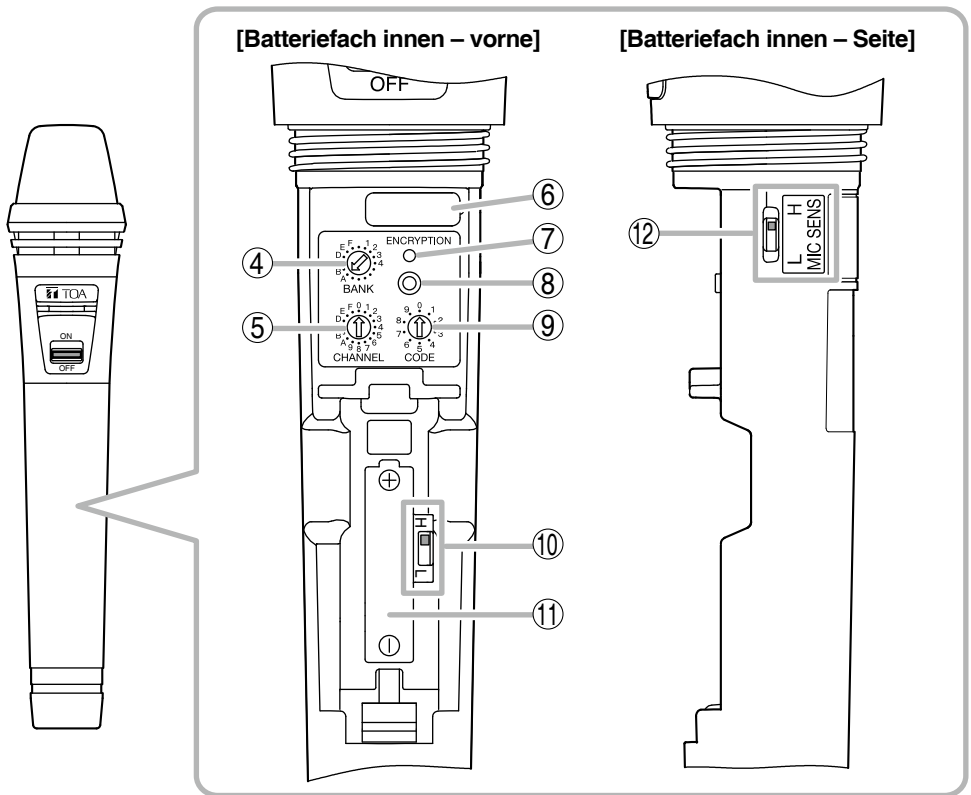
Hinweis

Das Mikrofon überträgt kein Signal, wenn der Frequenzbank- und der Kanalwählschalter auf einen leeren Kanal eingestellt sind.

In diesem Fall blinkt die Anzeige abwechselnd rot und grün.

3. Mikrofongriff (Batteriefachdeckel)

Im Inneren befinden sich das Batteriefach sowie Schalter für verschiedene Einstellungen.



4. Frequenzbankwählschalter

Achten Sie darauf, dass Mikrofon und Drahtlosempfänger auf dieselbe Frequenzbanknummer eingestellt sind.

5. Kanalwählschalter

Achten Sie darauf, dass Mikrofon und Drahtlosempfänger auf dieselbe Kanalnummer eingestellt sind.

6. Wartungsanschluss

Nicht verwendet.

Hinweis

Die Gummikappe darf nicht geöffnet werden.

7. Verschlüsselungsanzeige

Leuchtet: Verschlüsselung EIN

Erlöschen: Verschlüsselung AUS

8. Verschlüsselungs-Einstellschalter

9. Code-Einstellschalter [0 – 9]

10. Sendeleistungsumschalter [H/L]

H: 10 mW

L: 1 mW

11. Batteriefach

Hier wird die spezielle wiederaufladbare Batterie oder eine AA-Alkalibatterie eingesetzt.

12. Mikrofonempfindlichkeits-Wählschalter [H/L]

H: 0 dB

L: -10 dB

6. VORBEREITEN DER BATTERIE

Das WM-D5200 kann entweder mit der optionalen wiederaufladbaren Batterie oder einer Einweg-Trockenbatterie betrieben werden. Bitte lesen Sie die betreffenden Abschnitte aufmerksam durch, um einen korrekten Gebrauch sicherzustellen.

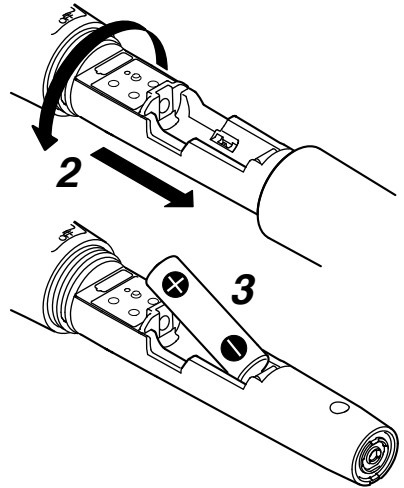
6.1. Einsetzen der Batterie

Schritt 1. Schalten Sie den Ein-Ausschalter aus.

Schritt 2. Halten Sie das Mikrofon am Gehäuse und drehen Sie den Batteriefachdeckel nach links, um ihn abzunehmen.

Schritt 3. Setzen Sie eine AA-Batterie entsprechend den Batteriefach-Markierungen (+) und (-) ein. Verwenden Sie alternativ den optionalen Akkusatz WB-2000-2 (2er-Packung). Als Batterie verwenden Sie entweder die mitgelieferte Batterie oder eine im Fachhandel erhältliche AA-Alkalibatterie (LR6) verwenden.

Schritt 4. Schieben Sie den Batteriefachdeckel wieder auf und drehen Sie ihn nach rechts.

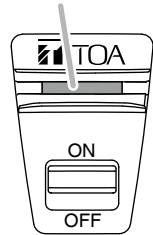


6.2. Leitfaden zur Batterie-Betriebsdauer

6.2.1. Verbleibende Betriebsdauer

Die Farbe der Batterieanzeige wechselt bei nachlassender Spannung von Grün zu Orange und bei fortgesetztem Gebrauch schließlich zu Rot. Wenn die Batterieanzeige rot leuchtet, laden Sie den Akku wieder auf. Im Falle einer Batterie ersetzen Sie die Batterie durch eine neue.

Grün → Orange → Rot



[Leitfaden zur verbleibenden Betriebsdauer anhand des Batterieanzeigestatus]

Batterieanzeigestatus	Verbleibende Betriebsdauer
Leuchtet grün	2 – 8 Stunden
Leuchtet orange	Weniger als 2 Stunden
Leuchtet rot	Batterie muss geladen bzw. ausgewechselt werden.

6.2.2. Dauerbetriebszeit

Leitfaden zu den Dauerbetriebszeiten: Ca. 8 Stunden (für voll geladene spezielle wiederaufladbare Batterie oder neue Alkalibatterie)

Hinweis

Betriebszeiten können je nach Einsatzbedingungen, z.B. Umgebungstemperatur, variieren.

6.3. Bei Betrieb mit einem Akku



ACHTUNG

Laden Sie das Gerät nicht, wenn eine Alkalibatterie eingesetzt ist.
Zum Laden muss ein Akku* verwendet werden.

Nichtbeachtung dieser Anweisungen kann einen Brand oder eine Verletzung durch Explodieren der Batterie verursachen.

* Option TOA WB-2000-2 (2er-Packung).

Hinweise

- Für den Betrieb mit Akkus wird das optionale Ladegerät BC-2000 benötigt.
- Verwenden Sie als Akkus die optionale WB-2000-2 (2er-Packung).
- Verwenden Sie keine Akkus anderer Marken/Typen.
- Wenn Sie die Akkus WB-2000 zum ersten Mal verwenden, oder nach einem längeren Nichtgebrauch, laden Sie diese vor Gebrauch unbedingt auf.
- Der Akku WB-2000 ist für etwa 500 Lade- und Entladezyklen konzipiert. Sollte die Mikrofon-Betriebszeit nach längerem wiederholten Gebrauch drastisch abnehmen, ersetzen Sie den Akku durch einen neuen Akku.
- Laden Sie den Akku, wenn er ganz leer ist. (Das Drahtlosmikrofon arbeitet pro Ladung etwa 8 Stunden lang.) Häufiges Laden nach kurzem Gebrauch verkürzt die Lebensdauer der Akkus.

[Ladeprozedur]

Schritt 1. Legen Sie den Akku WB-2000 in das Drahtlosmikrofon ein.
(Siehe S. 24, "Einsetzen der Batterie.")

Schritt 2. Stellen Sie den Ein-/Ausschalter des Drahtlosmikrofons auf OFF.

Schritt 3. Führen Sie das Drahtlosmikrofon bis zum Anschlag in das Ladefach am Ladegerät BC-2000 ein.

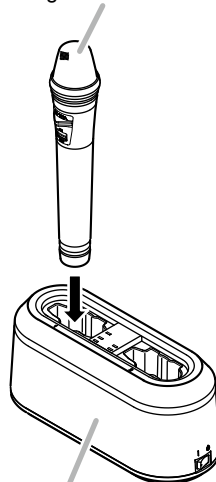
Die Ladeanzeige am BC-2000 leuchtet rot, und der Ladevorgang beginnt.

Der Ladevorgang ist nach etwa drei Stunden abgeschlossen, und die Vollladeanzeige am BC-2000 leuchtet zur Bestätigung grün.

- Sollte die rote Ladeanzeige nach dem Einführen des Drahtlosmikrofons in das Ladegerät nicht leuchten, prüfen Sie, ob das Mikrofon korrekt eingeführt wurde.
- Das Drahtlosmikrofon erwärmt sich nach Abschluss des Ladevorgangs, was jedoch normal ist.
- Halten Sie das Ladegerät beim Herausziehen des Mikrofons gut fest, damit es sich nicht bewegt.

Weitergehende Informationen finden Sie in der dem Ladegerät BC-2000 beige packten Bedienungsanleitung.

WM-D5200
Digitales Drahtlosmikrofon



BC-2000
Batterieladegerät

7. BEDIENUNG

Schritt 1. Stellen Sie sicher, dass am Drahtlosmikrofon und am Drahtlosempfänger die gleichen Frequenzbank- und Kanalnummern eingestellt wurden.

Wenn dies nicht der Fall sein sollte, schieben Sie den Ein-/Ausschalter auf die OFF-Position und stellen dann die gleiche Bank- und Kanalnummer wie am Empfänger ein.

Schritt 2. Stellen Sie den Ein-Ausschalter auf die ON-Position. Prüfen Sie dann, ob die Batterieanzeige grün oder orange leuchtet.

Schritt 3. Stellen Sie nach Gebrauch den Ein-Ausschalter auf die OFF-Position.

8. FUNKTIONSEINSTELLUNGEN

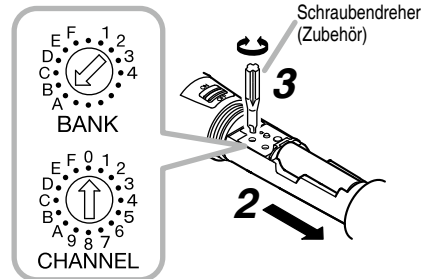
8.1. Einstellen der Frequenzbank- und Kanalnummer

Schritt 1. Schalten Sie das Gerät aus.

Schritt 2. Drehen Sie den Batteriefachdeckel zum Abnehmen nach links.

Schritt 3. Stellen Sie den Zeiger des Frequenzbankwählschalters mit Hilfe des mitgelieferten Schraubendrehers auf die gewünschte Nummer ein. Stellen Sie den Kanalwählschalter auf dieselbe Weise ein.

Schritt 4. Bringen Sie den Batteriefachdeckel wieder an.



8.2. Vornehmen von Verschlüsselungseinstellungen

Zur Verbesserung der Sicherheit ist das WM-D5200 mit einer Verschlüsselungsfunktion ausgestattet, die verhindert, dass übertragene Informationen nach außen dringen.

Die Funktion sorgt im aktiven Zustand außerdem für eine Eliminierung von Funkstörungen. Richten Sie vor dem Aktivieren der Verschlüsselungsfunktion zunächst die Einstellungen für Bank und Kanal ein.

Tipp

Neben dem WM-D5200 muss auch der digitale Drahtlosempfänger WT-D5800 eingerichtet werden. Lesen Sie daher auch die Bedienungsanleitung des Empfängers.

8.2.1. Überblick über die Verschlüsselungseinstellungen

[Vor Gebrauch] (Vorbereitung zur Einstellung)

Es wird eine ID-Nummer vom Drahtlosmikrofon an den Empfänger übermittelt. Die ID-Nummer wird vom Drahtlosmikrofon nach dem Zufallsprinzip vorgegeben. Die verwendete ID-Nummer wird aus einer Vielzahl von Kombinationen ausgewählt und kann nicht durch den Bediener vorgegeben sowie auch nicht von außen ausfindig gemacht werden.

[Beim Gebrauch] (Keine Bedienung erforderlich.)

Wenn der Empfänger ein Signal vom Drahtlosmikrofon erfasst, liest er gleichzeitig die ID-Information des Mikrofons und stellt sicher, dass nur das Audiosignal des Drahtlosmikrofons mit derselben ID-Nummer wie der des Empfängers ausgegeben werden kann. Auch wenn bei einem Versuch, diese Funksignale außerhalb zu empfangen, dieselbe Bank- und Kanalnummer verwendet werden, wird kein Audiosignal übermittelt, solange die ID-Nummern nicht identisch sind, weshalb das Risiko, dass übertragene Informationen nach außen dringen, sehr gering ist.

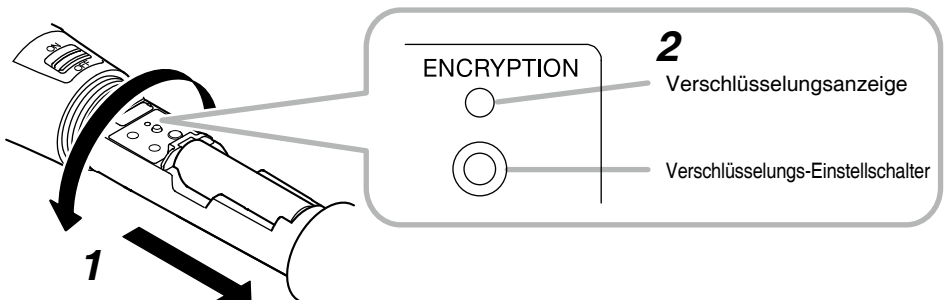
[Prüfung der Verschlüsselungseinstellung]

Schritt 1. Nehmen Sie den Batteriefachdeckel ab und stellen Sie den Ein-/Ausschalter des Mikrofons auf ON.

Schritt 2. Lesen Sie den Status an der Verschlüsselungsanzeige ab.

Die Verschlüsselungsfunktion ist aktiviert, wenn die Anzeige leuchtet, und deaktiviert, wenn die Anzeige dunkel bleibt.

Hinweis: Die Verschlüsselungsfunktion wurde werksseitig als Voreinstellung deaktiviert.



8.2.2. Verschlüsselungseinstellungen

[Aktivieren der deaktivierten Verschlüsselungsfunktion]

Lesen Sie auch die dem Empfänger WT-D5800 beige packte Bedienungsanleitung.

Schritt 1. Aktivieren Sie die Verschlüsselungsfunktion am Empfänger.

Schritt 2. Nehmen Sie den Batteriefachdeckel ab, stellen Sie den Ein-/Ausschalter des Mikrofons auf ON und stellen Sie sicher, dass die Verschlüsselungsanzeige dunkel bleibt.

Wenn die Anzeige leuchtet, deaktivieren Sie die aktivierte Verschlüsselungsfunktion (siehe S. 29).

Schritt 3. Stellen Sie den Ein-/Ausschalter des Mikrofons auf OFF.

Schritt 4. Stellen Sie den Ein-/Ausschalter des Mikrofons bei gedrücktem Verschlüsselungs-Einstellschalter auf ON (den Schalter bis **Schritt 6** gedrückt halten).

Stellen Sie sicher, dass die Verschlüsselungsanzeige des Mikrofons blinkt. Bei gedrücktem gehaltenem Verschlüsselungs-Einstellschalter wird eine ID-Nummer übermittelt.

Schritt 5. Führen Sie am Empfänger die Pairing-Einstellung aus.

Der Empfänger wartet auf die vom Mikrofon übermittelte ID-Nummer, solange die Set-Taste gedrückt gehalten wird. Die Anzeige „RECEIVING“ (Empfang) ist auf dem LCD-Bildschirm des Empfängers zu sehen, bis die ID-Nummer korrekt empfangen wurde.

Schritt 6. Sobald die Anzeige auf dem LCD-Bildschirm zu „SUCCESS“ (erfolgreich) wechselt, lassen Sie den Verschlüsselungs-Einstellschalter am Mikrofon und die Set-Taste am Empfänger los.

Schritt 7. Stellen Sie sicher, dass die Verschlüsselungsanzeige des Mikrofons leuchtet. Die Verschlüsselungsfunktion ist nun aktiviert.

ENCRYPTION

 Dunkel



ENCRYPTION

 Blinkt



ENCRYPTION

 Leuchtet



Hinweise

- Schalten Sie das Mikrofon oder den Empfänger während der Einstellung nicht aus.
- Halten Sie den Verschlüsselungs-Einstellschalter am Mikrofon und die Set-Taste am Empfänger gedrückt, bis die Anzeige „SUCCESS“ (erfolgreich) auf dem LCD-Bildschirm des Empfängers zu sehen ist. Wenn der Verschlüsselungs-Einstellschalter am Mikrofon oder die Set-Taste am Empfänger losgelassen wird, während die Anzeige „RECEIVING“ (Empfang) auf dem LCD-Bildschirm des Empfängers zu sehen ist, empfängt der Empfänger die neue ID-Nummer nicht, in welchem Fall die frühere ID-Nummer unverändert bleibt. Zum Anpassen der ID-Nummer des Empfängers an die ID-Nummer des Mikrofons schalten Sie die Verschlüsselungsfunktion des Mikrofons AUS und führen danach die obigen **Schritte 1 – 7** noch einmal durch.

Tipps

- Beim erneuten Umschalten der Verschlüsselungsfunktion von AUS auf EIN wird die ID-Nummer aktualisiert. (Der aktuelle EIN/AUS-Status der Verschlüsselungsfunktion sowie die ID-Nummer bleiben auch dann erhalten, wenn der Ein-/Ausschalter auf OFF gestellt wird.)
- Es spielt bei der Einstellung keine Rolle, ob zuerst der Verschlüsselungs-Einstellschalter am Mikrofon oder der am Empfänger gedrückt wird.
- Der Empfänger gibt während der Einstellung der ID-Nummer auch dann keinen Ton aus, wenn er ein Funksignal vom Mikrofon empfängt.

[Deaktivieren der aktivierten Verschlüsselungsfunktion]

Schritt 1. Nehmen Sie den Batteriefachdeckel ab, stellen Sie den Ein-/Ausschalter des Mikrofons auf ON und stellen Sie dann sicher, dass die Verschlüsselungsanzeige leuchtet.

Schritt 2. Stellen Sie den Ein-/Ausschalter auf OFF.

Schritt 3. Stellen Sie den Ein-/Ausschalter des Mikrofons bei gedrückt gehaltenem Verschlüsselungs-Einstellschalter auf ON.


Hinweis

Das Mikrofon darf während der Einstellung nicht ausgeschaltet werden.

Schritt 4. Stellen Sie sicher, dass die Verschlüsselungsanzeige nicht mehr leuchtet, und lassen Sie den Verschlüsselungs-Einstellschalter dann los.


Die Verschlüsselungsfunktion ist nun deaktiviert.

ENCRYPTION

 Leuchtet



ENCRYPTION

 Dunkel



8.3. Durchführen von Code-Einstellungen (bei deaktivierter Verschlüsselungsfunktion)

8.3.1. Überblick über die Code-Einstellungen

Durch Voreinstellen eines bestimmten Codes für die Kommunikation zwischen dem Drahtlosmikrofon und dem Empfänger wird nur dann Ton ausgegeben, wenn das empfangene digitale Signal des Drahtlosmikrofons denselben ID-Code aufweist wie der Empfänger. Wenn ein anderes Signal von einem angrenzenden Bereich empfangen wird, das einen anderen Code aufweist, wird kein Ton ausgegeben. Je nach Bedarf kann einer von zehn verschiedenen Codes ([0] – [9]) gewählt werden.

8.3.2. Code-Einstellungen

Der Code wurde werksseitig auf „0“ voreingestellt.

Hinweis

Stellen Sie den Ein-/Ausschalter des Mikrofons zum Durchführen der Einstellungen auf OFF. Wenn der Ein-/Ausschalter auf ON gestellt bleibt, werden die aktiven Codes durch die manuelle Einstellung nicht beeinflusst.

Schritt 1. Nehmen Sie den Batteriefachdeckel ab und stellen Sie den Ein-/Ausschalter des Mikrofons auf ON.

Schritt 2. Stellen Sie sicher, dass die Verschlüsselungsanzeige dunkel ist.

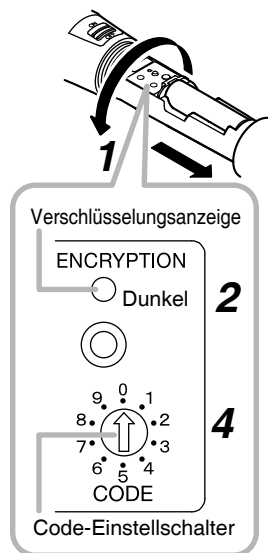
Wenn sie leuchtet, ist die Verschlüsselungsfunktion aktiviert und muss deaktiviert werden wie unter S. 28, "Aktivieren der deaktivierten Verschlüsselungsfunktion." beschrieben.

Schritt 3. Stellen Sie den Ein-/Ausschalter auf OFF.

Schritt 4. Stellen Sie mit dem mitgelieferten Schraubendreher den Code-Einstellschalter auf den gewünschten Code ein.

Schritt 5. Setzen Sie den Batteriefachdeckel wieder an und befestigen Sie ihn so, wie er ursprünglich angebracht war. Der Code ist damit eingestellt.

Schritt 6. Stellen Sie auch am Empfänger dieselbe Code-Nummer ein. Anweisungen zur Einstellung finden Sie in der dem Empfänger beige packten Bedienungsanleitung.



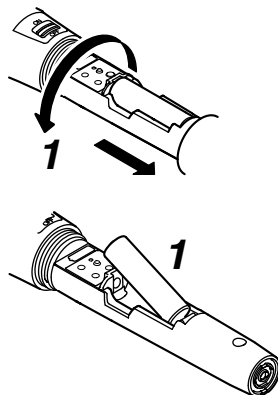
8.4. Einstellen des Sendeleistungsumschalters

Es kann eine von zwei Einstellungen für die Sendeleistung gewählt werden: „H“ (10 mW) oder „L“ (1 mW). Der Schalter wurde werksseitig auf „H“ voreingestellt.

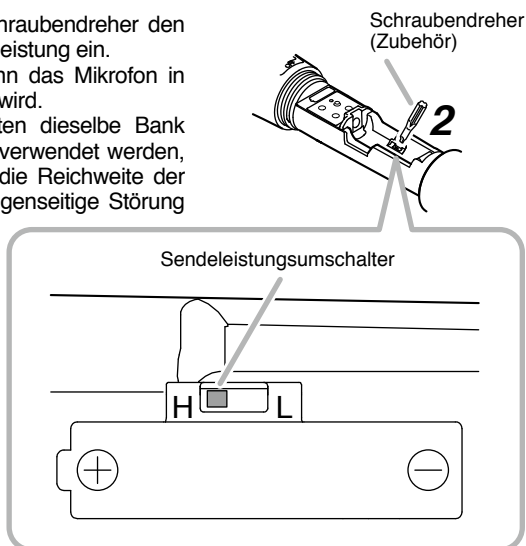
Hinweis

Stellen Sie den Ein-/Ausschalter des Mikrofons auf OFF, bevor Sie diese Einstellung vornehmen.

Schritt 1. Stellen Sie sicher, dass der Ein-/Ausschalter auf OFF steht, und entfernen Sie dann den Batteriefachdeckel und die Batterie.



Schritt 2. Stellen Sie mit dem mitgelieferten Schraubendreher den Umschalter auf die gewünschte Sendeleistung ein. Stellen Sie den Schalter auf „H“, wenn das Mikrofon in einem großflächigen Raum verwendet wird. Wenn in angrenzenden Räumlichkeiten dieselbe Bank und derselbe Kanal in nächster Nähe verwendet werden, wählen Sie an beiden Orten „L“, um die Reichweite der Funkwellen zu verkürzen und eine gegenseitige Störung zu minimieren.



Schritt 3. Legen Sie die Batterie wieder ein und bringen Sie den Batteriefachdeckel fest an.

9. WEITERE FUNKTIONEN (Mikrofonempfindlichkeits-Wählschalter)

Die Mikrofonempfindlichkeit kann auf „0 dB“ (H) oder „-10 dB“ (L) eingestellt werden.

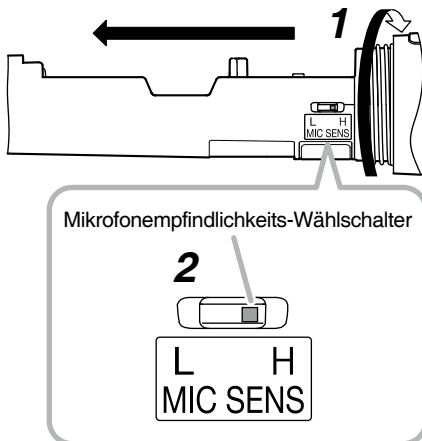
Hinweise

- Stellen Sie den Ein-/Ausschalter zum Umstellen der Empfindlichkeit auf OFF.
- Wenn die Empfindlichkeit auf „H“ eingestellt ist, sollte man ausreichend Abstand zum Mikrofon halten und nicht zu laut sprechen, da der Ton anderenfalls verfälscht wird und Gesprochenes schwer zu verstehen ist.

Schritt 1. Stellen Sie sicher, dass der Ein-/Ausschalter ausgeschaltet ist und dann den Batteriefachdeckel abnehmen.

Schritt 2. Stellen Sie mit dem mitgelieferten Schraubendreher den Schalter auf die gewünschte Empfindlichkeit ein.

Schritt 3. Setzen Sie den Batteriefachdeckel wieder an und befestigen Sie ihn so, wie er ursprünglich angebracht war.



10. TECHNISCHE DATEN

Mikrofonelement	Elektret-Kondensatormikrofon: Nierencharakteristik
Modulationsart	FSK (Frequenzumtastung)
Version und Sendefrequenzband	WM-D5200 -C4, -C7: 794 – 832 MHz (794 – 806 MHz für Thailand) WM-D5200 -G1: 606 – 614 MHz* 614 – 636 MHz WM-D5200 -H1: 576 – 606 MHz
Verfügbare Kanäle	160 Kanäle (Die Anzahl der zugelassenen Kanäle ist von Land zu Land verschieden.)
HF Sendeleistung	Weniger als 50 mW
Max. Eingangspegel	132 dB SPL (Empfindlichkeit: L)/122 dB SPL (Empfindlichkeit: H)
Übertragungsbereich	100 Hz – 12 kHz
Antenne	Eingebaut
Dynamikumfang	Typ. 90 dB (bei Verwendung mit WT-D5800)
ID-Auswahl	10 Muster
Batterie	Akku WB-2000 (Option) oder AA-LR6 Alkali-Trockenbatterie (Mignon)
Batterie-Lebensdauer	Ca. 8 Stunden
Umgebungstemperatur	-10 bis +50 °C (außer Batterie)
Umgebungsfeuchtigkeit	30 bis 85 % rel. (kondensationsfrei)
Ausführung	Gehäuse: ABS-Kunstharz, schwarz, Beschichtung Kopf: Stahl, schwarz, lackiert
Abmessungen	ø47 × 239,5 mm
Gewicht	220 g (mit Batterie)

* in Deutschland und Österreich nicht überall verfügbar.

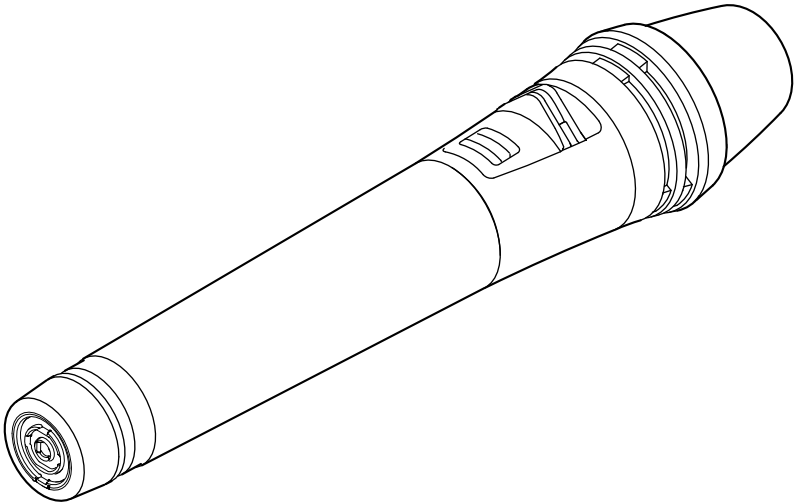
Hinweis: Änderung der technischen Daten ohne Vorankündigung vorbehalten.

• Zubehör

Aufbewahrungsbox	1
Schraubendreher (zur Einstellung)	1
Mikrofonhalter	1

Hinweis

Das WM-D5200 kann nicht mit dem TRANTEC Drahtlossystem (Serien S4 und S5) sowie auch nicht mit dem analogen Drahtlossystem von TOA (WT-5800, WT-5805 und WT-5810 usw.) kommunizieren.

MICROPHONE SANS FIL NUMÉRIQUE WM-D5200

Merci pour votre achat du microphone sans fil numérique TOA.
Veuillez lire attentivement les instructions dans ce manuel pour assurer un usage prolongé et sans problème de votre équipement.

SOMMAIRE

1. CONSEILS DE SÉCURITÉ	36
2. DESCRIPTION GÉNÉRALE	37
3. CARACTÉRISTIQUES	37
4. PRÉCAUTIONS DE MANIPULATION	37
5. NOMENCLATURE ET FONCTIONS	38
6. PRÉPARATION DES BATTERIES	40
6.1. Insertion de la batterie	40
6.2. Guide des durées de fonctionnement des batteries	40
6.3. Lors du fonctionnement sur batterie rechargeable	41
7. FONCTIONNEMENT	42
8. RÉGLAGES DES FONCTIONS	42
8.1. Réglage des numéros de banc et de canal	42
8.2. Réglages du cryptage	43
8.3. Réglages des codes (avec la fonction de cryptage désactivée)	46
8.4. Réglages du commutateur de sortie de transmission	47
9. FONCTIONS PRATIQUES (RÉGLAGES DU SÉLECTEUR DE SENSIBILITÉ DU MICROPHONE)	48
10. SPÉCIFICATIONS	49
Accessoires	49

1. CONSEILS DE SÉCURITÉ

- Avant l'utilisation, veuillez à lire attentivement l'ensemble des instructions de cette section pour un fonctionnement correct et sûr.
- Veuillez à respecter les précautions recommandées dans cette section, laquelle contient des mises en garde et/ou précautions importantes en matière de sécurité.
- Après lecture, conservez ce manuel à portée de main pour consultation ultérieure.

AVERTISSEMENT

Indique une situation risquant d'entraîner des blessures graves, voire la mort, en cas de mauvaise manipulation.

Pendant l'utilisation de l'appareil

- Veuillez à utiliser un chargeur de batterie dédié lors de la recharge d'une batterie. Si vous utilisez un autre chargeur de batterie, la batterie peut fuir ou exploser, provoquant un incendie, des dommages corporels ou matériels et/ou une pollution.
- Pour prévenir toute influence néfaste des ondes électromagnétiques sur le matériel médical, veuillez à mettre l'appareil hors tension lorsqu'il est placé à proximité de ce type de matériel.

ATTENTION

Indique une situation risquant d'entraîner des blessures moyennement graves ou mineures, et/ou des dommages matériels.

Pendant l'utilisation de l'appareil

- Lorsque vous n'utilisez pas l'appareil pendant 2 semaines ou plus, retirez les batteries de l'appareil afin d'éviter la fuite du liquide de batterie pouvant entraîner un incendie, des blessures ou la contamination de l'environnement.
- Respectez les précautions de manipulation suivantes pour éviter tout risque de blessure ou d'incendie dû à une fuite ou explosion de la batterie.

- Abstenez-vous de court-circuiter, démonter, chauffer ou jeter la batterie dans un feu.
- Évitez de mélanger des batteries neuves et usagées.
- Ne rechargez jamais des batteries qui ne sont pas prévues à cet effet.
- Ne soudez pas directement une batterie.
- Veuillez à utiliser le type de batteries spécifié.
- Respectez la polarité (orientation positive et négative) lorsque vous insérez une batterie dans l'appareil.
- Stockez les batteries à l'abri du soleil, de température et d'humidité élevées.

N'insérez pas de pile sèche dans le chargeur. L'insertion de batteries non rechargeables dans le chargeur peut entraîner la fissure de la batterie, ce qui peut provoquer un incendie et/ou des blessures corporelles.

Lors de la recharge, utilisez uniquement le chargeur de batterie BC-2000 et la batterie WB-2000.

N'utilisez pas d'autres types de batterie.

Si la batterie gonfle ou fuit, cessez immédiatement de l'utiliser et remplacez-la par une neuve.

Si vous sentez une odeur de brûlé et/ou inhabituelle lors de la recharge de la batterie, éteignez immédiatement le chargeur.

AVIS À L'UTILISATEUR :

Les changements ou modifications non approuvés expressément par la partie responsable s'agissant de la conformité pourraient annuler l'autorisation de l'utilisateur de faire fonctionner l'équipement.

2. DESCRIPTION GÉNÉRALE

Le WM-D5200 est un microphone sans fil numérique utilisant un élément microphonique à condensateur présentant une sensibilité élevée et une qualité audio cristalline. Le microphone est spécifiquement conçu pour être utilisé en association avec le récepteur sans fil numérique WT-D5800 de TOA.

3. CARACTÉRISTIQUES

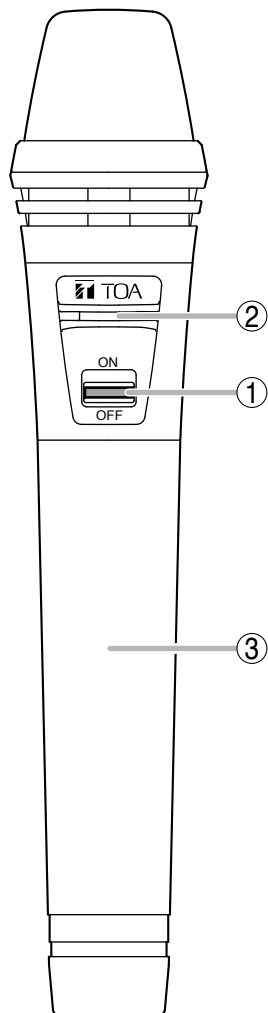
- Utilise le système de synthétiseur PLL.
- La technologie de traitement audio numérique unique de TOA garantit un son de qualité élevée.
- La transmission numérique présente une résistance élevée aux interférences radio et au bruit, permettant une communication plus claire et plus stable.
- Lorsqu'il est utilisé dans des conférences importantes ou dans d'autres événements à la sécurité élevée, le logiciel de cryptage unique de TOA s'associe à la technologie de transmission numérique pour éviter les fuites ou les écoutes clandestines d'informations sensibles.
- La sensibilité commutable du microphone permet d'utiliser l'appareil dans un large éventail d'applications.
- Il peut être alimenté par la batterie rechargeable dédiée (NiH2 = nickel-hydrogène) ou une pile alcaline AA. Lors du remplacement de la batterie rechargeable, utilisez la WB-2000-2 de TOA en option (paquet de 2).
- Utilise une antenne interne.

4. PRÉCAUTIONS DE MANIPULATION

- N'exposez pas l'appareil à la pluie et protégez-le de tout contact avec de l'eau ou d'autres liquides afin d'éviter tout risque de panne.
- N'ouvrez jamais, ni ne retirez le boîtier de l'appareil pour le modifier. Confiez toute réparation à votre revendeur TOA le plus proche.
- Veillez à ne pas faire tomber l'appareil ou le cogner contre un objet dur pour éviter un risque de panne.
- N'exposez pas l'appareil à des températures élevées (ex. dans une voiture mal aérée en été) ou à une forte humidité qui pourraient endommager l'appareil.
- N'utilisez pas l'appareil dans des endroits exposés à l'eau de mer.
- Utilisez un chiffon sec pour le nettoyage. Si l'appareil est très sale, frottez-le légèrement avec un chiffon humecté de nettoyant neutre dilué, puis essuyez avec un chiffon sec. N'utilisez jamais du benzène, du diluant ou une lingette chimique.
- Évitez d'utiliser un téléphone mobile à proximité de l'appareil en cours d'utilisation pour éviter toute interférence.
- En cas d'utilisation de deux appareils ou plus, maintenez-les au moins à 50 cm de distance les uns des autres pour éviter tout dysfonctionnement ou bruit.
- Maintenez une distance d'au moins 3 m entre l'appareil et l'antenne de réception. L'utilisation de l'appareil à proximité de l'antenne peut engendrer des dysfonctionnements ou du bruit.

5. NOMENCLATURE ET FONCTIONS

[Avant]



1. Commutateur d'alimentation [ON/OFF]

Ce commutateur permet de mettre l'appareil sous tension en le plaçant sur la position ON (marche) ou hors tension en le plaçant sur la position OFF (arrêt).

2. Vérificateur de batterie (vert/orange/rouge)

Allumé : sous tension

Pas allumé : hors tension*

La charge restante de la batterie est représentée par la couleur du voyant.

Vert : La batterie est complètement chargée.

Orange : La batterie commence à se vider.

Rouge : La batterie est presque épuisée et il est nécessaire de la remplacer.

* Une fois la batterie épuisée, le voyant ne s'allume pas.

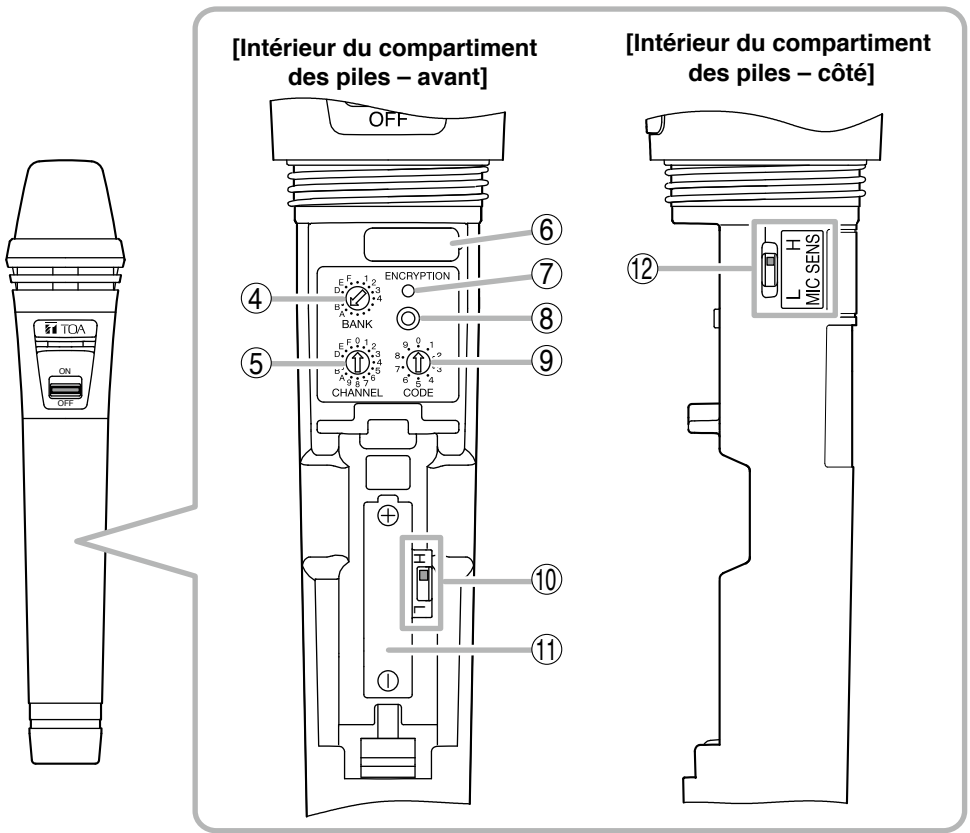
Nota

Le microphone ne transmet pas le signal si les sélecteurs de canal et de banc sont réglés sur un canal vide.

Dans ce cas, les voyants clignotent en rouge et en vert en alternance.

3. Corps du microphone (couverture du compartiment des piles)

Les pièces internes comprennent le compartiment des piles et des commutateurs pour différents réglages.



4. Sélecteur de banc

Veillez à ce que le microphone et le récepteur sans fil soient réglés sur le même numéro de banc.

5. Sélecteur de canal

Veillez à ce que le microphone et le récepteur sans fil soient réglés sur le même numéro de canal.

6. Orifice pour l'entretien

Pas utilisé.

Nota

N'ouvrez jamais le cache en caoutchouc.

7. Voyant de cryptage

Allumé : Cryptage activé

Pas allumé : Cryptage désactivé

8. Commutateur de réglage du cryptage

9. Commutateur de réglage du code [0 à 9]

10. Commutateur de sortie de transmission [H/L]

H : 10 mW

L : 1 mW

11. Compartiment des piles

Insérez une batterie rechargeable dédiée ou des piles alcalines AA.

12. Sélecteur de sensibilité du microphone [H/L]

H : 0 dB

L : -10 dB

6. PRÉPARATION DES BATTERIES

Le WM-D5200 peut fonctionner à la fois sur batteries rechargeables en option ou sur piles sèches remplaçables. Veuillez lire attentivement les sections correspondantes pour un usage correct.

6.1. Insertion de la batterie

Étape 1. Placez le commutateur d'alimentation sur OFF.

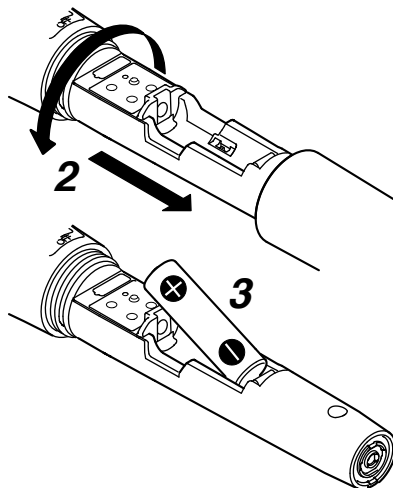
Étape 2. Tenez le corps du microphone et tournez le couvercle du compartiment des piles dans le sens inverse des aiguilles d'une montre pour le retirer.

Étape 3. Insérez une pile AA en respectant les indications (+) et (-) figurant dans le compartiment des piles.

Si vous optez pour une batterie rechargeable, utilisez la WB-2000-2 de TOA en option (paquet de 2).

Si vous optez pour des piles sèches, utilisez la pile fournie ou des piles alcalines AA (LR6) en vente dans le commerce.

Étape 4. Remettez le couvercle du compartiment des piles en place en le faisant glisser et en le tournant dans le sens des aiguilles d'une montre.

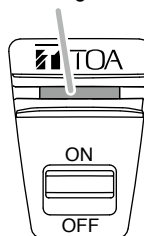


6.2. Guide des durées de fonctionnement des batteries

6.2.1. Durée de fonctionnement restante

La couleur du vérificateur de batterie passe de vert à orange à mesure que la batterie se vide, puis devient rouge si la batterie est utilisée davantage en continu. Lorsque le vérificateur de batterie devient rouge, rechargez la batterie si vous utilisez une batterie rechargeable dédiée. Dans le cas des piles sèches, remplacez-les par des neuves.

Vert → Orange → Rouge



[Guide de la durée de fonctionnement restante d'après le statut du voyant de charge de la batterie]

Statut du vérificateur de batterie	Durée de fonctionnement restante
S'allume en vert	2 à 8 heures
S'allume en orange	Moins de 2 heures
S'allume en rouge	La batterie doit être rechargée ou remplacée.

6.2.2. Durée de fonctionnement en continu

Guide des durées de fonctionnement en continu : Environ 8 heures (pour une batterie rechargeable dédiée complètement chargée ou une pile alcaline)

Nota

Les durées de fonctionnement peuvent varier selon les conditions d'utilisation, comme la température ambiante.

6.3. Lors du fonctionnement sur batterie rechargeable



ATTENTION

Ne rechargez pas l'appareil avec une pile sèche alcaline insérée.
Rechargez la batterie rechargeable dédiée*.
Le non-respect de ces instructions pourrait provoquer un incendie ou des blessures corporelles suite à l'explosion de la batterie.
* La WB-2000-2 de TOA en option (paquet de 2).

Remarques

- Lors du fonctionnement sur batteries rechargeables, le chargeur de batterie BC-2000 en option est nécessaire.
- Si vous optez pour la batterie rechargeable, veillez à utiliser le BC-2000 en option ou la WB-2000-2 en option (paquet de 2).
- Évitez d'utiliser d'autres marques de batterie rechargeable.
- Lors de la première utilisation de la batterie rechargeable WB-2000 ou après une période d'inutilisation prolongée, veillez à la recharger avant toute utilisation.
- La batterie WB-2000 est conçue pour durer l'équivalent de 500 cycles de charge et décharge. Lorsque l'intervalle de fonctionnement du microphone devient très court après une utilisation répétée et prolongée, remplacez la batterie par une neuve.
- Rechargez la batterie rechargeable après l'avoir complètement utilisée. (Le microphone sans fil continuera de fonctionner pendant environ 8 heures par charge.) Une recharge fréquente à de brefs intervalles peut réduire la durée de vie de la batterie rechargeable.

[Comment charger]

Étape 1. Insérez la batterie rechargeable WB-2000 dans le microphone sans fil.
(Voir p. 40, « Insertion de la batterie ».)

Étape 2. Placez le commutateur d'alimentation du microphone sans fil sur la position OFF.

Étape 3. Insérez complètement le microphone sans fil dans le connecteur pour microphone du chargeur de batterie BC-2000.

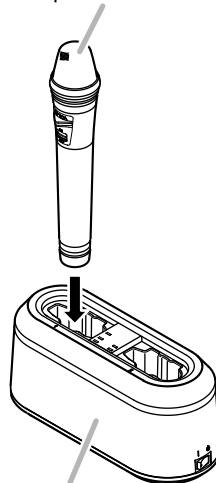
Le voyant de charge du BC-2000 s'allume en rouge et la charge commence.

Au bout de 3 heures environ, la charge est complètement terminée et le voyant de charge complète du BC-2000 s'allume en vert.

- Si le voyant de charge rouge ne s'allume pas même avec le microphone sans fil inséré dans le chargeur, vérifiez que le microphone est correctement inséré.
- Le microphone sans fil chauffe une fois la charge terminée ; toutefois, ce n'est pas le signe d'un dysfonctionnement.
- Lorsque vous déconnectez le microphone sans fil du chargeur, tenez fermement le chargeur pour qu'il ne bouge pas.

Pour de plus amples informations, consultez le mode d'emploi accompagnant le chargeur de batterie BC-2000.

WM-D5200
Microphone sans fil numérique



BC-2000
Chargeur de batterie

7. FONCTIONNEMENT

Étape 1. Confirmez que le microphone sans fil et le récepteur sans fil sont réglés sur les mêmes numéros de banc et de canal.

Si ce n'est pas le cas, placez le commutateur d'alimentation sur la position OFF, puis réglez les numéros de banc et de canal aux mêmes valeurs que ceux du récepteur.

Étape 2. Placez le commutateur d'alimentation sur la position ON. Puis, confirmez que le vérificateur de batterie s'allume en vert ou en orange.

Étape 3. Après utilisation, placez le commutateur d'alimentation sur la position OFF.

8. RÉGLAGES DES FONCTIONS

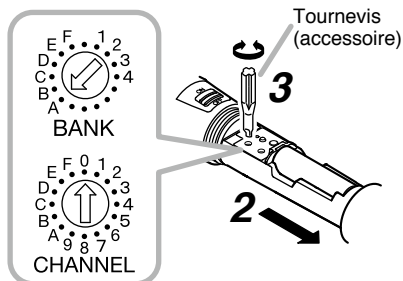
8.1. Réglage des numéros de banc et de canal

Étape 1. Mettez le microphone hors tension.

Étape 2. Tournez le couvercle du compartiment des piles dans le sens inverse des aiguilles d'une montre pour le détacher.

Étape 3. Avec le tournevis fourni, réglez l'index du sélecteur de banc sur le numéro souhaité, puis réglez l'index du sélecteur de canal de la même façon.

Étape 4. Remettez en place le couvercle du compartiment des piles.



8.2. Réglages du cryptage

Pour améliorer la sécurité, le WM-D5200 est pourvu d'une fonction de réglage du cryptage qui empêche la fuite des informations transmises.

Cette fonction présente également l'avantage d'éliminer les interférences radio. Avant d'activer le réglage de cryptage, assurez-vous que les réglages de banc et de canal ont d'abord été effectués.

Astuce

Outre le WM-D5200, le récepteur sans fil numérique WT-D5800 doit également être configuré. Par conséquent, veuillez à consulter également le mode d'emploi du récepteur.

8.2.1. Résumé des réglages de cryptage

[Avant utilisation (opération préliminaire au réglage)]

Transmettez un numéro d'identifiant du microphone sans fil au récepteur. Le numéro d'identifiant est sélectionné au hasard sur le côté microphone sans fil. Le numéro d'identifiant à utiliser est sélectionné parmi une grande combinaison de numéros et ne peut pas être désigné par l'utilisateur, ni identifié de l'extérieur.

[En utilisation] (Pas d'opérations nécessaires.)

Lorsque le récepteur détecte un signal provenant du microphone sans fil, il lit simultanément les informations d'identifiant du microphone, garantissant que seul le son du microphone sans fil ayant le même numéro d'identifiant que le récepteur puisse être émis. Même si les numéros de banc/canal sont identiques en vue d'activer la réception d'un signal radio depuis l'extérieur, étant donné qu'aucun son n'est émis si le numéro d'identifiant ne correspond pas, la possibilité d'une fuite des informations transmises vers l'extérieur est très faible.

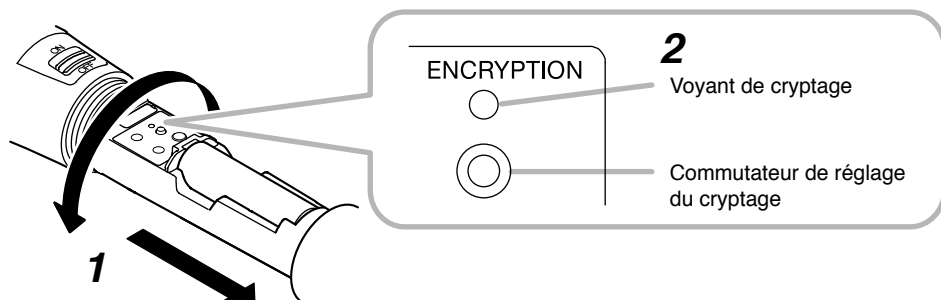
[Confirmation d'activation/désactivation du réglage de cryptage]

Étape 1.Après avoir retiré le couvercle du compartiment des piles, placez le commutateur d'alimentation du microphone sur ON.

Étape 2.Confirmez le statut du voyant de cryptage.

Le réglage est activé si le voyant est allumé et désactivé si le voyant n'est pas allumé.

Remarque : Le réglage de cryptage est pré-réglé en usine sur OFF.



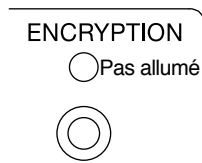
8.2.2. Réglages du cryptage

[Basculement de la fonction de cryptage de OFF à ON]

Consultez également le mode d'emploi accompagnant le récepteur WT-D5800.

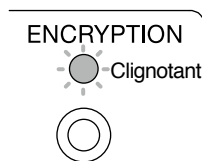
Étape 1. Activez la fonction de cryptage du récepteur.

Étape 2. Avec le couvercle du compartiment des piles retiré, placez le commutateur d'alimentation du microphone sur ON et confirmez que le voyant de cryptage n'est pas allumé.
Si le voyant est allumé, faites basculer le cryptage de ON à OFF (voir p. 45).



Étape 3. Placez le commutateur d'alimentation du microphone sur OFF.

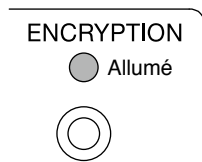
Étape 4. Placez le commutateur d'alimentation du microphone sur ON tout en maintenant enfoncé le commutateur de réglage du cryptage du microphone (maintenir enfoncé jusqu'à l'**Étape 6**).
Confirmez que le voyant de cryptage du microphone clignote.
Un numéro d'identifiant est transmis pendant que le commutateur de réglage du cryptage du microphone est maintenu enfoncé.



Étape 5. Effectuez le réglage de synchronisation sur le récepteur.
Le récepteur attend le numéro d'identifiant transmis par le microphone tant que la touche Régler est maintenue enfoncée.
L'indication « RECEIVING » s'affiche sur l'écran LCD du récepteur jusqu'à ce que le numéro d'identifiant soit correctement reçu.

Étape 6. Après avoir confirmé que l'affichage LCD a basculé sur l'indication « SUCCESS », relâchez à la fois le commutateur de réglage du cryptage du microphone et la touche Régler du récepteur.

Étape 7. Confirmez que le voyant de cryptage du microphone est allumé.
Le réglage du cryptage est à présent activé.



Remarques

- N'éteignez pas le microphone ou le récepteur pendant le réglage.
- Maintenez enfoncés le commutateur de réglage du cryptage du microphone et la touche Régler du récepteur jusqu'à ce que l'indication « SUCCESS » apparaisse sur l'écran LCD du récepteur.
Si le commutateur de réglage du cryptage du microphone ou la touche Régler du récepteur est relâché alors que l'indication « RECEIVING » est affichée sur l'écran du récepteur, le récepteur n'aura pas reçu correctement le nouveau numéro d'identifiant, laissant le numéro d'identifiant inchangé par rapport à la valeur précédente. Pour faire correspondre le numéro d'identifiant du récepteur avec celui du microphone, désactivez le réglage du cryptage du microphone, puis répétez les **Étapes 1 à 7** ci-dessus.

Astuces

- Le numéro d'identifiant est mis à jour lorsque le cryptage bascule à nouveau de OFF à ON. (Le statut d'activation/désactivation du cryptage et le numéro d'identifiant sont conservés même si le commutateur d'alimentation est placé sur OFF.)
- Les réglages peuvent être effectués que le commutateur de réglage du cryptage du microphone ou du récepteur ait été enfoncé en premier.
- Le récepteur n'émet pas de son pendant le réglage du numéro d'identifiant, même s'il reçoit un signal radio en provenance du microphone.

[Basculement de la fonction de cryptage de ON à OFF]

Étape 1. Avec le couvercle du compartiment des piles retiré, placez le commutateur d'alimentation du microphone sur ON et confirmez que le voyant de cryptage est allumé.

ENCRYPTION

Allumé

Étape 2. Placez le commutateur d'alimentation sur OFF.



Étape 3. Placez le commutateur d'alimentation du microphone sur ON tout en maintenant enfoncé le commutateur de réglage du cryptage.

Nota

Ne placez pas le commutateur d'alimentation du microphone sur OFF pendant le réglage.

Étape 4. Confirmez que le voyant de cryptage est éteint, puis relâchez le commutateur de réglage du cryptage.
Le réglage de cryptage bascule sur OFF.

ENCRYPTION

Pas allumé



8.3. Réglages des codes (avec la fonction de cryptage désactivée)

8.3.1. Résumé du réglage des codes

En pré-réglant le code spécifié entre le microphone sans fil et le récepteur, le son est uniquement émis lorsqu'un signal numérique reçu du microphone sans fil a le même code d'identifiant que le récepteur. Même si un autre signal est reçu d'une zone adjacente, si le code ne correspond pas, le son n'est pas émis.

Dix variétés de code peuvent être sélectionnées ([0] à [9]) pour une utilisation appropriée selon les circonstances.

8.3.2. Réglages du code

Le code est pré-réglé en usine sur « 0 ».

Nota

Placez le commutateur d'alimentation du microphone sur OFF lorsque vous effectuez les réglages. Si vous laissez le commutateur d'alimentation sur ON, les codes resteront inchangés même si les réglages sont manuellement modifiés.

Étape 1. Après avoir retiré le couvercle du compartiment des piles, placez le commutateur d'alimentation sur ON.

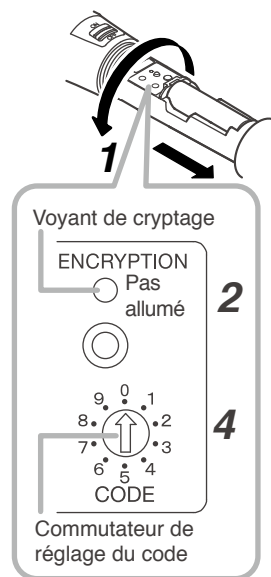
Étape 2. Confirmez que le voyant de cryptage n'est pas allumé.
S'il est allumé, faites basculer le cryptage de ON à OFF en vous reportant à p. 44, « Basculement de la fonction de cryptage de OFF à ON ».

Étape 3. Mettez le microphone hors tension.

Étape 4. À l'aide du tournevis fourni, réglez le commutateur de réglage du code sur le numéro de code souhaité.

Étape 5. Remettez en place et serrez solidement le couvercle du compartiment des piles, comme il était initialement.
Le code est maintenant à l'état réglé.

Étape 6. Réglez le même numéro de code pour le récepteur.
Consultez le mode d'emploi accompagnant le récepteur pour la méthode de réglage.



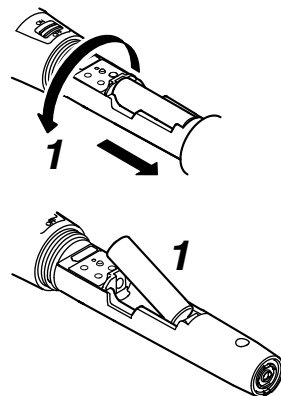
8.4. Réglages du commutateur de sortie de transmission

La transmission peut être réglée sur l'une des deux sorties suivantes : « H » (10 mW) ou « L » (1 mW). Le commutateur est pré-réglé en usine sur la position « H ».

Nota

Veillez à placer le commutateur d'alimentation du microphone sur OFF avant d'effectuer les réglages.

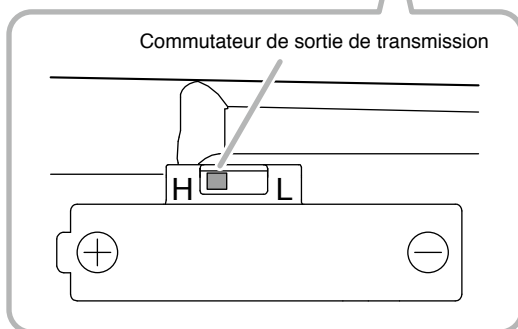
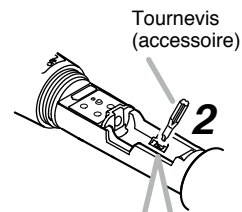
Étape 1. Confirmez que le commutateur d'alimentation est placé sur OFF, puis retirez le couvercle du compartiment des piles et la batterie.



Étape 2. À l'aide du tournevis fourni, réglez le commutateur sur la sortie de transmission souhaitée.

Réglez le commutateur sur la position « H » si vous utilisez le microphone dans une zone étendue.

Si les mêmes banc et canal sont utilisés à proximité dans des emplacements adjacents, réglez le commutateur sur la position « L » pour raccourcir la plage de transmission des ondes radio pour chaque emplacement afin de minimiser les interférences.



Étape 3. Réinsérez la batterie et remettez solidement le couvercle du compartiment des piles en place.

9. FONCTIONS PRATIQUES (Réglages du sélecteur de sensibilité du microphone)

La sensibilité du microphone peut être réglée sur « 0 dB » (H) ou – « 10 dB » (L).

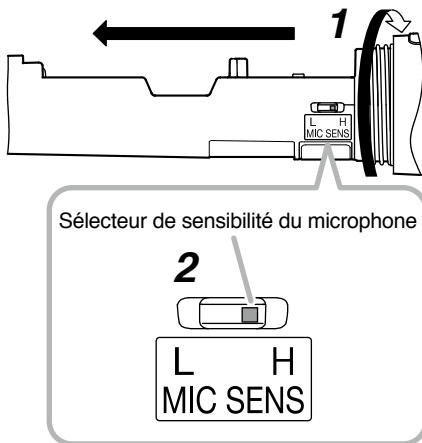
Remarques

- Placez le commutateur d'alimentation sur OFF lorsque vous sélectionnez la sensibilité.
- Lorsque la sensibilité est réglée sur « H », évitez de placer le microphone trop près de la bouche et de parler trop fort, car le son pourrait être brouillé et difficile à comprendre.

Étape 1. Confirmez que le commutateur d'alimentation a bien été placé sur OFF, puis retirez le couvercle du compartiment des piles.

Étape 2. À l'aide du tournevis fourni, réglez le sélecteur sur la sensibilité souhaitée.

Étape 3. Remettez en place et serrez solidement le couvercle du compartiment des piles, comme il l'était auparavant.



10. SPÉCIFICATIONS

Élément microphonique	Appareil à condensateur électret : unidirectionnel
Type de modulation	FSK
Version et Gamme de fréquence	WM-D5200 -C4, -C7: 794 à 832 MHz (794 à 806 MHz pour Thaïlande) WM-D5200 -G1: 606 à 636 MHz WM-D5200 -H1: 576 à 606 MHz
Sélection de canal	160 canaux (Le nombre de canaux peut varier d'un pays à l'autre.)
Puissance de sortie	Moins de 50 mW
Niveau d'entrée maximum	132 dB SPL (sensibilité : L)/122 dB SPL (sensibilité : H)
Bande passante	100 Hz à 12 kHz
Antenne	Type incorporé
Dynamique	Typ. 90 dB (si utilisé avec le WT-D5800)
Sélection d'identifiants	10 motifs
Batterie	Batterie rechargeable WB-2000 (en option) ou pile sèche alcaline AA
Durée de vie de la batterie	Environ 8 heures
Température de fonctionnement	-10 à +50 °C (14 à 122 °F) (sauf la batterie)
Humidité de fonctionnement	30 à 85 % HR (sans condensation)
Finition	Corps : résine ABS, noir, revêtement Tête : acier, noir, peinture
Dimensions	ø47 × 239,5 mm
Poids	220 g (avec batterie)

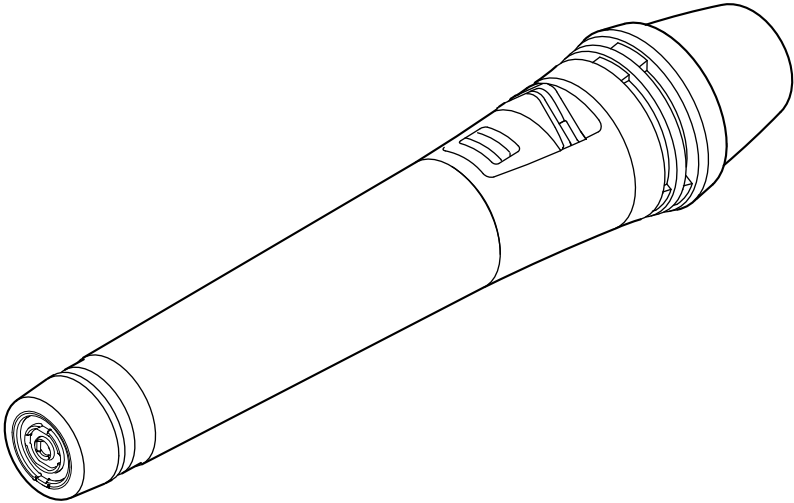
Remarque : La conception et les spécifications sont susceptibles de modifications sans préavis dans un souci d'amélioration.

• Accessoires

Étui de rangement	1
Tournevis (pour le réglage)	1
Pied de microphone	1

Nota

Le WM-D5200 ne peut pas communiquer avec le système sans fil TRANTEC (séries S4 et S5) ou avec le système sans fil analogique TOA (WT-5800, WT-5805 et WT-5810, etc.).

MICRÓFONO INALÁMBRICO DIGITAL WM-D5200

Muchas gracias por la adquisición del micrófono inalámbrico digital de TOA.
Siga minuciosamente las instrucciones de este manual para poder emplear este equipo durante mucho tiempo sin problemas.

ÍNDICE

1. PRECAUCIONES DE SEGURIDAD	52
2. DESCRIPCIÓN GENERAL	53
3. CARACTERÍSTICAS	53
4. PRECAUCIONES EN LA MANIPULACIÓN	53
5. NOMENCLATURA Y FUNCIONES	54
6. PREPARACIÓN DE LAS BATERÍAS	56
6.1. Instalación de la batería	56
6.2. Guía del tiempo de uso de la batería	56
6.3. Cuando se utiliza con la batería recargable	57
7. FUNCIONAMIENTO	58
8. AJUSTES DE FUNCIÓN	58
8.1. Ajuste del número de banco y el número de canal	58
8.2. Configuración de los ajustes de cifrado	59
8.3. Configuración de los ajustes de código (cuando la función de cifrado está desactivada)	62
8.4. Configuración de los ajustes del interruptor de cambio de salida de transmisión	63
9. FUNCIONES PRÁCTICAS (AJUSTES DEL INTERRUPTOR DE SELECCIÓN DE LA SENSIBILIDAD DEL MICROFONO)	64
10. ESPECIFICACIONES	65
Accesorios	65

1. PRECAUCIONES DE SEGURIDAD

- Antes del uso, asegúrese de leer detenidamente todas las instrucciones de esta sección para que el uso sea seguro y correcto.
- Asegúrese de seguir todas las instrucciones de precaución de esta sección, que contiene importantes advertencias o precauciones relativas a la seguridad.
- Tras leer este manual, consérvelo para futuras consultas.

ADVERTENCIA

Indica una situación potencialmente peligrosa en la que, si el aparato no se utiliza correctamente, pueden producirse lesiones graves o un accidente mortal.

Cuando la unidad está en uso

- Asegúrese de utilizar un cargador de batería dedicado a la hora de cargar la batería. Si utiliza otro cargador de batería, esta podría presentar fugas o explotar y provocar, a su vez, incendios, lesiones personales, daños materiales o contaminación.
- Desconecte el aparato cuando deba situarlo en las proximidades de un equipo médico para evitar así que las ondas electromagnéticas afecten negativamente a dicho equipo.

PRECAUCIÓN

Indica una situación potencialmente peligrosa en la que, si el aparato no se utiliza correctamente, pueden producirse lesiones personales leves o moderadas o daños materiales.

Cuando la unidad está en uso

- Cuando no precise utilizar el aparato durante 2 semanas o más, extraiga las baterías del mismo. Las fugas de la batería podrían provocar incendios, ocasionar lesiones personales o contaminar el medio ambiente.
- Observe las siguientes precauciones de manipulación para evitar todo riesgo de incendio o lesiones personales a consecuencia de una fuga o explosión de la batería.
 - No cortocircuite, desarme o caliente la batería ni la esponja al fuego.

- Evite utilizar baterías nuevas y antiguas al mismo tiempo.
- No cargue nunca baterías que no sean recargables.
- No efectúe soldaduras directamente en una batería.
- Utilice el tipo de batería especificado.
- Observe la polaridad correcta (orientación de los polos positivo y negativo) cuando introduzca la batería en el aparato.
- Evite guardar las baterías en lugares expuestos a la luz solar directa, altas temperaturas y humedad.

No coloque la batería de células secas en el cargador.

La colocación de baterías no recargables en el cargador podría provocar que la batería se rompiera, derivando en un incendio o lesiones físicas.

Al recargar, utilice únicamente el cargador de batería BC-2000 y la batería WB-2000.

No utilice ningún otro tipo de batería.

Si la batería se hincha o presenta fugas, deje de usarla y sustitúyala por una nueva de forma inmediata.

Si se produce algún tipo de quemadura u olor característico durante la carga de la batería, apague la unidad inmediatamente.

PRECAUCIÓN PARA EL USUARIO:

Los cambios o modificaciones que no están expresamente aprobados por el responsable del cumplimiento pueden cancelar la autoridad del usuario para operar el equipo.

2. DESCRIPCIÓN GENERAL

El WM-D5200 es un micrófono inalámbrico digital que utiliza una cápsula electret que ofrece una sensibilidad elevada y una gran calidad de sonido. El micrófono está especialmente diseñado para utilizarse junto con el receptor inalámbrico digital WT-D5800 de TOA.

3. CARACTERÍSTICAS

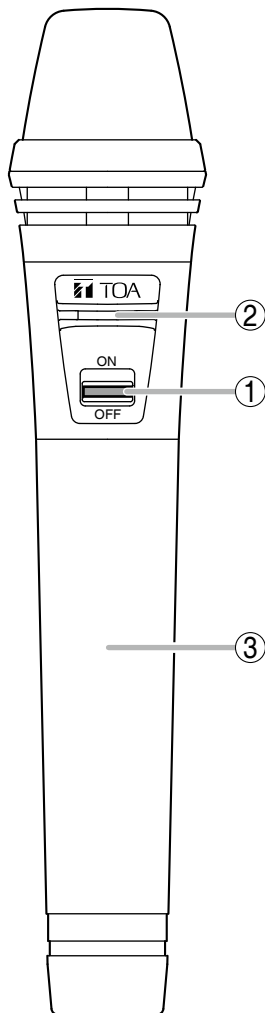
- Utiliza el sistema de sintetización PLL.
- La exclusiva tecnología de procesamiento de audio digital de TOA garantiza un sonido de alta calidad.
- La transmisión digital es altamente resistente a las interferencias de radio y al ruido, lo que permite una comunicación más clara y estable.
- Cuando se utiliza para conferencias importantes o en otras instalaciones de alta seguridad, el exclusivo software de cifrado de TOA se combina con la tecnología de transmisión digital para evitar escuchas telefónicas o filtraciones de información confidencial.
- La sensibilidad del micrófono seleccionable permite utilizar la unidad en numerosas aplicaciones.
- La alimentación puede suministrarse a través de la batería recargable (NiH2 = níquel-hidrógeno) dedicada o de una pila alcalina de tipo AA. Cuando sustituya la batería recargable, utilice la WB-2000-2 de TOA opcional (paquete de 2 unidades).
- Utiliza una antena interna.

4. PRECAUCIONES EN LA MANIPULACIÓN

- No exponga el aparato a la lluvia o a salpicaduras de agua u otros líquidos, ya que podría averiarse.
- No abra ni retire la carcasa del aparato para modificar la unidad. Si debe efectuar cualquier reparación, diríjase a su distribuidor TOA más próximo.
- Evite dejar caer el aparato al suelo o golpearlo contra un objeto duro, ya que podría averiarse.
- No deje el aparato en lugares sometidos a temperaturas elevadas (p. ej. un coche aparcado en verano) o a altos niveles de humedad, ya que podría averiarse.
- No utilice el aparato en lugares en los que pueda quedar expuesto al agua de mar.
- Utilice un paño seco para limpiarlo. Cuando el aparato esté muy sucio, límpielo suavemente con un paño humedecido en un detergente neutro diluido y séquelo con un paño seco. No utilice nunca gasolina, disolventes ni toallitas de limpieza tratadas químicamente.
- Evite utilizar un teléfono móvil cerca del aparato. Podrían producirse interferencias.
- Cuando utilice dos o más aparatos, manténgalos alejados uno de otro al menos 50 cm para evitar perturbaciones o interferencias.
- Mantenga el aparato a una distancia mínima de 3 m respecto a la antena receptora. El uso del aparato a una distancia inferior puede provocar perturbaciones o interferencias.

5. NOMENCLATURA Y FUNCIONES

[Parte delantera]



1. Interruptor de encendido y apagado [ON/OFF]

Puede encender el aparato deslizando el interruptor de encendido y apagado hasta la posición ON y apagarlo deslizándolo hasta la posición OFF.

2. Controlador de la batería (verde/naranja/rojo)

Encendido: aparato encendido

Apagado: aparato apagado*

El nivel de batería restante se representa con el color del indicador.

Verde: la batería está completamente cargada.

Naranja: la batería está comenzando a agotarse.

Rojo: la batería está prácticamente agotada y debe sustituirse.

* Cuando se agote la batería, el indicador no se iluminará.

Nota

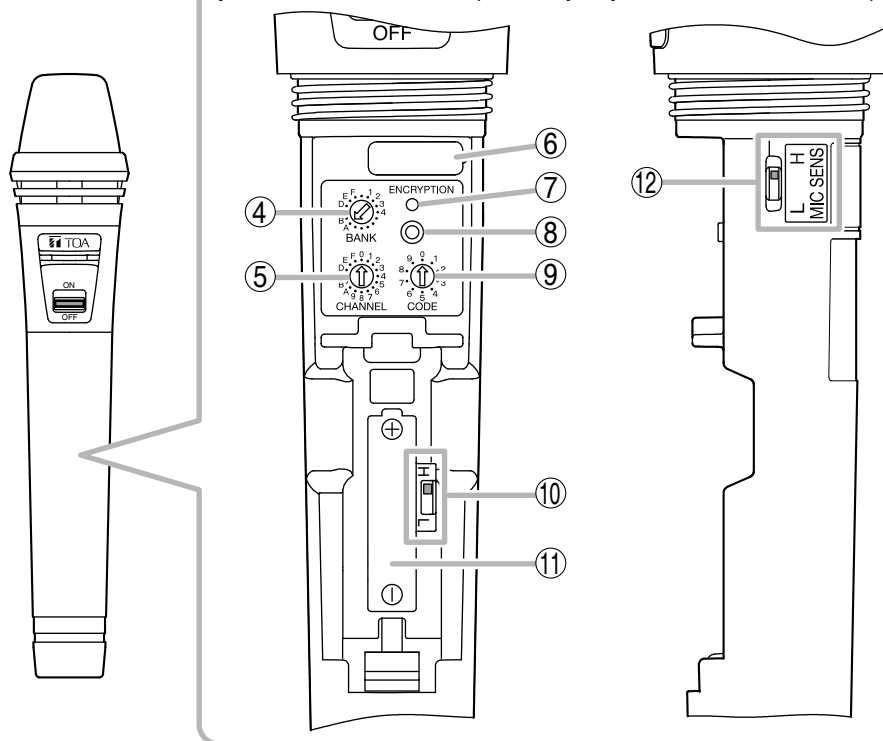
El micrófono no transmite la señal si los interruptores de selección de banco y canal están establecidos en el canal vacío. En este caso, el indicador parpadea alternativamente en rojo y verde.

3. Empuñadura del micrófono (tapa del compartimento de la batería)

Las piezas internas están formadas por el compartimento de la batería e interruptores para varios ajustes.

[Piezas internas de la carcasa de la batería: parte delantera]

[Piezas internas de la carcasa de la batería: parte lateral]



4. Interruptor de selección de banco

Asegúrese de que el micrófono y el receptor inalámbrico tengan seleccionado el mismo número de banco.

5. Interruptor de selección de canal

Asegúrese de que el micrófono y el receptor inalámbrico tengan seleccionado el mismo número de canal.

6. Puerto de mantenimiento

No se utiliza.

Nota

No abra la tapa de goma.

7. Indicador de cifrado

Encendido: cifrado activado

Apagado: cifrado desactivado

8. Interruptor de ajuste de cifrado

9. Interruptor de ajuste de código [0 – 9]

10. Interruptor de cambio de nivel de salida de transmisión [H/L]

H: 10 mW

L: 1 mW

11. Compartimiento de la batería

Inserte y utilice una batería recargable dedicada o baterías alcalinas de tipo AA.

12. Interruptor de selección de sensibilidad del micrófono [H/L]

H: 0 dB

L: -10 dB

6. PREPARACIÓN DE LAS BATERÍAS

El WM-D5200 puede funcionar con la batería recargable opcional o con baterías secas reemplazables. Lea detenidamente las secciones correspondientes para utilizar correctamente la unidad.

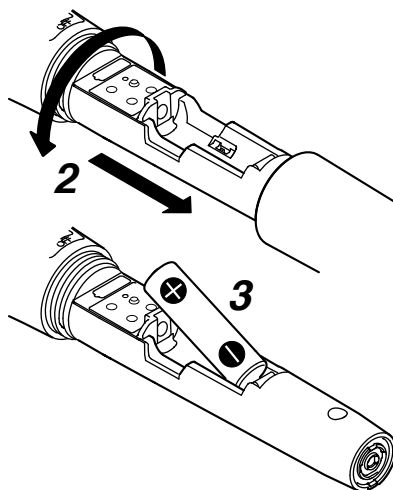
6.1. Instalación de la batería

Paso 1. Desconecte el interruptor de encendido y apagado.

Paso 2. Sujete el cuerpo del micrófono y gire la tapa del compartimento de la batería hacia la izquierda para extraerla.

Paso 3. Inserte una batería de tipo AA de acuerdo con las indicaciones (+) y (-) del compartimento de la batería. Como batería recargable, utilice la WB-2000-2 opcional de TOA (paquete de 2 unidades). Como baterías secas, utilice la batería suministrada o pilas alcalinas de tipo AA disponibles en el mercado (LR6).

Paso 4. Vuelva a colocar la tapa del compartimento de la batería deslizándola y girándola hacia la derecha.



6.2. Guía del tiempo de uso de la batería

6.2.1. Tiempo de uso restante

El color del controlador de la batería cambia de verde a naranja a medida que se consume, y a rojo si la batería se sigue utilizando de forma continua. Cuando el controlador de la batería se vuelva de color rojo, cargue la batería si está utilizando la batería recargable dedicada. Si utiliza pilas alcalinas, sustitúyalas por unas nuevas.

Verde → Naranja → Rojo



[Guía del tiempo de uso restante según el estado del indicador de carga de la batería]

Estado del controlador de la batería	Tiempo de uso restante
Se ilumina en verde	2 – 8 horas
Se ilumina en naranja	Menos de 2 horas
Se ilumina en rojo	La batería debe cargarse o sustituirse.

6.2.2. Tiempo de uso continuo

Guía del tiempo de uso continuo: aprox. 8 horas (con pilas alcalinas o con la batería recargable dedicada completamente cargada)

Nota

El tiempo de uso puede variar en función de las condiciones de uso, como la temperatura ambiente.

6.3. Cuando se utiliza con la batería recargable



PRECAUCIÓN

No cargue la unidad con una pila alcalina instalada.

Cargue la batería recargable dedicada*.

Si no sigue estas instrucciones podrían producirse incendios o lesiones personales debido a la explosión de la batería.

* La WB-2000-2 de TOA opcional (paquete de 2 unidades).

Notas

- Para poder utilizar las baterías recargables se necesita el cargador de batería BC-2000 opcional.
- En el caso de las baterías recargables, asegúrese de utilizar el BC-2000 opcional o la WB-2000-2 opcional (paquete de 2 unidades).
- Evite utilizar baterías recargables de otras marcas.
- Al utilizar la batería recargable WB-2000 por primera vez, o al utilizarla después de haber estado almacenada durante un periodo de tiempo prolongado, asegúrese de cargarla antes de utilizarla.
- La batería WB-2000 está diseñada para permitir aproximadamente 500 ciclos de carga y descarga. Si el intervalo de funcionamiento del micrófono pasa a ser extremadamente breve después de un uso constante y prolongado, cambie la batería por una nueva.
- Cargue la batería recargable cuando se haya utilizado por completo (el micrófono inalámbrico seguirá funcionando durante unas 8 horas con cada carga). Si carga la batería recargable de forma frecuente en muy poco tiempo podría reducirse su vida útil.

[Método de carga]

Paso 1. Coloque la batería recargable WB-2000 en el micrófono inalámbrico.
(Consulte p. 56, "Instalación de la batería".)

Paso 2. Coloque el interruptor de encendido y apagado del micrófono inalámbrico en la posición OFF.

Paso 3. Introduzca el micrófono inalámbrico en su totalidad dentro del receptáculo para micrófono del cargador de batería BC-2000. El indicador de carga del BC-2000 se ilumina en color rojo y comienza el proceso de carga.

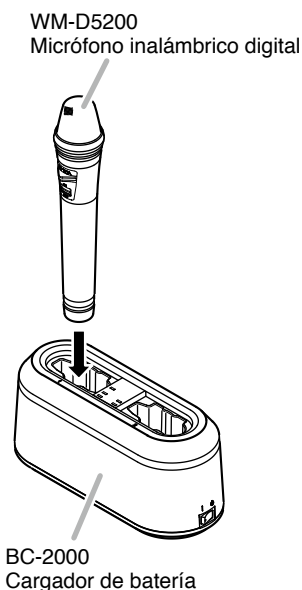
El proceso de carga concluye transcurridas aproximadamente 3 horas, y el indicador de carga completa del BC-2000 se ilumina en color verde.

• Si el indicador de carga rojo no se ilumina, ni siquiera al insertar el micrófono inalámbrico en el cargador, compruebe si se ha insertado correctamente el micrófono.

• El micrófono inalámbrico se calienta tras finalizar el proceso de carga, no es ningún tipo de fallo.

• Cuando desconecte el micrófono inalámbrico del cargador, sujete firmemente el cargador de forma que no se mueva.

Si desea obtener más información, consulte el manual de instrucciones incluido con el cargador de batería BC-2000.



7. FUNCIONAMIENTO

Paso 1. Compruebe que el micrófono inalámbrico y el receptor inalámbrico tengan seleccionado el mismo número de banco y el mismo número de canal.

Si no son los mismos, ponga el interruptor de encendido y apagado en la posición OFF y, a continuación, seleccione el mismo número de banco y el mismo número de canal del receptor.

Paso 2. Ponga el interruptor de encendido y apagado en la posición ON. A continuación, compruebe que el controlador de la batería se ilumine en verde o naranja.

Paso 3. Ponga el interruptor de encendido y apagado en la posición OFF cuando haya terminado de utilizarlo.

8. AJUSTES DE FUNCIÓN

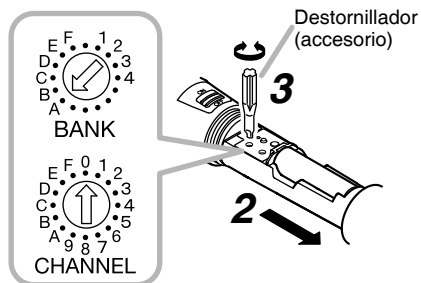
8.1. Ajuste del número de banco y el número de canal

Paso 1. Apague la alimentación.

Paso 2. Gire la tapa del compartimento de la batería hacia la izquierda para extraerla.

Paso 3. Con el destornillador incluido, coloque el puntero del interruptor de selección de banco en el número que desee y coloque el puntero del interruptor de selección de canal del mismo modo.

Paso 4. Vuelva a colocar la tapa del compartimento de la batería.



8.2. Configuración de los ajustes de cifrado

Para mejorar la seguridad, el WM-D5200 cuenta con una función de ajuste de cifrado que evita que se filtre la información transmitida.

Esta función también tiene la ventaja de que elimina las interferencias de radio cuando está activada. Antes de habilitar el ajuste de cifrado, asegúrese de completar en primer lugar los ajustes de banco y canal.

Consejo

Además del WM-D5200, el receptor inalámbrico digital WT-D5800 también necesita configurarse. Por lo tanto, asegúrese de consultar el manual de instrucciones del receptor.

8.2.1. Resumen de los ajustes de cifrado

[Antes del uso (operación de preparación para el ajuste)]

Transmita un número de ID del micrófono inalámbrico al receptor. El número de ID se selecciona de forma aleatoria en el micrófono inalámbrico. El número de ID que se va a utilizar se selecciona entre un gran número de combinaciones y el operador no puede designarlo, ni podrá identificarse desde fuera.

[En uso] (no es necesario realizar ninguna operación)

Cuando el receptor detecta una señal del micrófono inalámbrico, lee simultáneamente la información del ID del micrófono para asegurarse de que solo pueda emitirse el audio del micrófono inalámbrico que tenga asignado el mismo número de ID que el receptor. Aunque los números de banco/canal sean idénticos para intentar habilitar la recepción de una señal de radio desde fuera, dado que no se emite ningún tipo de audio si el número de ID no coincide, las posibilidades de que la información transmitida se filtre al exterior son muy reducidas.

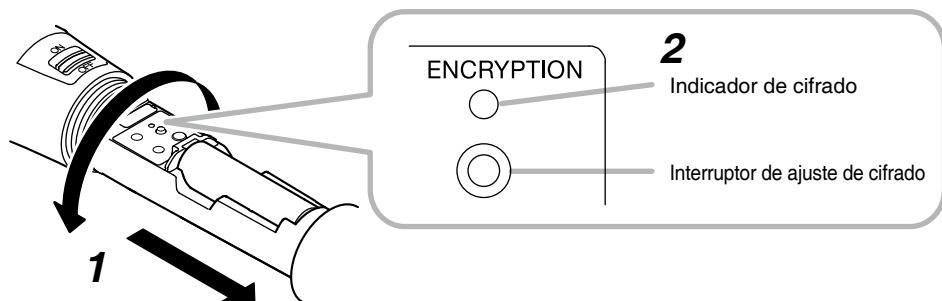
[Confirmación de la activación/desactivación del ajuste de cifrado]

Paso 1. Después de quitar la tapa del compartimento de la batería, encienda el interruptor de encendido y apagado del micrófono.

Paso 2. Compruebe el estado del indicador de cifrado.

El ajuste está activado cuando el indicador está encendido y está desactivado cuando el indicador está apagado.

Nota: El ajuste de cifrado está desactivado de fábrica.



8.2.2. Configuración de los ajustes de cifrado

[Activación de la función de cifrado]

Consulte también el manual de instrucciones incluido con el receptor WT-D5800.

Paso 1. Habilite la función de cifrado del receptor.

Paso 2. Con la tapa del compartimento de la batería quitada, encienda el interruptor de encendido y apagado del micrófono y compruebe que el indicador de cifrado esté apagado.

Si el indicador está encendido, desactive el cifrado (consulte p. 61).

Paso 3. Apague el interruptor de encendido y apagado del micrófono.

Paso 4. Encienda el interruptor de encendido y apagado del micrófono mientras mantiene pulsado el interruptor de ajuste de cifrado del micrófono (siga pulsando hasta el **Paso 6**).

Compruebe que el indicador de cifrado del micrófono esté parpadeando. Mientras se mantiene pulsado el interruptor de ajuste de cifrado del micrófono se transmite un número de ID.

Paso 5. Realice el ajuste de enlace en el receptor.

El receptor esperará la llegada del número de ID transmitido del micrófono durante el tiempo que se mantenga pulsada la tecla de ajuste. La indicación "RECEIVING" aparecerá en la pantalla LCD del receptor hasta que el número de ID se reciba correctamente.

Paso 6. Tras comprobar que la pantalla LCD ha cambiado a la indicación "SUCCESS", suelte el interruptor de ajuste de cifrado del micrófono y la tecla de ajuste del receptor.

Paso 7. Compruebe que el indicador de cifrado del micrófono esté encendido. El ajuste de cifrado ya está activado.

ENCRYPTION

 Apagado




ENCRYPTION

 Parpadeando



ENCRYPTION

 Encendido



Notas

- No apague el micrófono ni el receptor durante el ajuste.
- Mantenga pulsado el interruptor de ajuste de cifrado del micrófono y la tecla de ajuste del receptor hasta que aparezca la indicación "SUCCESS" en la pantalla LCD del receptor. Si el interruptor de ajuste de cifrado del micrófono o la tecla de ajuste del receptor se sueltan mientras se muestra la indicación "RECEIVING" en la pantalla del receptor, esto significa que el receptor no ha recibido correctamente el nuevo número de ID, por lo que el número de ID no cambiará con respecto al valor anterior. Para que el número de ID del receptor coincida con el número de ID del micrófono, desactive el ajuste de cifrado del micrófono y, a continuación, repita los **Pasos 1 – 7** anteriores.

Consejos

- El número de ID se actualiza cuando el cifrado vuelve a activarse de nuevo (el estado de activación/desactivación del cifrado y el número de ID se mantienen incluso si el interruptor de encendido y apagado está apagado).
- Los ajustes podrán realizarse independientemente de si el interruptor de ajuste de cifrado del micrófono o el receptor se pulsó primero.
- El receptor no emite audio durante el ajuste del número de ID, ni siquiera si recibe una señal de radio del micrófono.

[Cambiar la función de cifrado de activado a desactivado]

Paso 1. Con la tapa del compartimento de la batería quitada, encienda el interruptor de encendido y apagado del micrófono y compruebe que el indicador de cifrado esté encendido.

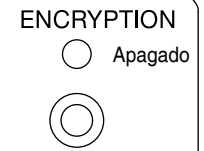
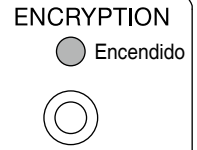
Paso 2. Apague el interruptor de encendido y apagado.

Paso 3. Encienda el interruptor de encendido y apagado del micrófono mientras mantiene pulsado el interruptor de ajuste de cifrado.

Nota

No apague el interruptor de encendido y apagado del micrófono durante el ajuste.

Paso 4. Compruebe que el indicador de cifrado se ha apagado y, a continuación, suelte el interruptor de ajuste de cifrado. El ajuste de cifrado se desactivará.



8.3. Configuración de los ajustes de código (cuando la función de cifrado está desactivada)

8.3.1. Resumen del ajuste de código

Al preconfigurar el código especificado entre el micrófono inalámbrico y el receptor, el audio solo se emite cuando la señal digital que recibe el micrófono inalámbrico tiene el mismo código de ID que el receptor. Aunque se reciba otra señal desde una zona adyacente, si el código no coincide, no se emitirá ningún audio.

Es posible seleccionar diez variedades de código ([0] – [9]) para el uso adecuado, según las circunstancias.

8.3.2. Ajustes de código

El código está preconfigurado de fábrica en "0".

Nota

Apague el interruptor de encendido y apagado del micrófono cuando realice los ajustes. Si el interruptor de encendido y apagado permanece encendido, los códigos no se verán afectados aunque modifique los ajustes de forma manual.

Paso 1. Después de quitar la tapa del compartimento de la batería, encienda el interruptor de encendido y apagado del micrófono.

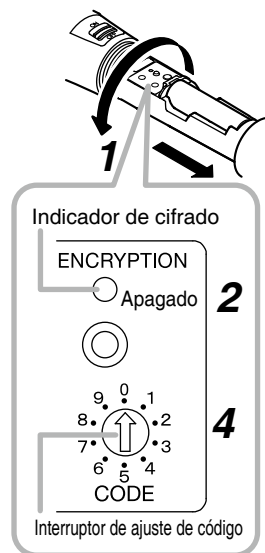
Paso 2. Compruebe que el indicador de cifrado esté apagado.
Si está encendido, desactive el cifrado consultando p. 60, "Activación de la función de cifrado".

Paso 3. Apague la alimentación.

Paso 4. Con el destornillador que se suministra, coloque el interruptor de ajuste de código en el número de código que desee.

Paso 5. Vuelva a instalar la tapa del compartimento de la batería y apriétela para dejarla como estaba.
De este modo el código se configurará.

Paso 6. Configure el mismo número de código en el receptor.
Para obtener información sobre el método de ajuste, consulte el manual de instrucciones incluido con el receptor.



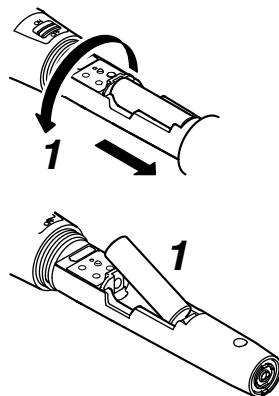
8.4. Configuración de los ajustes del interruptor de cambio de salida de transmisión

La transmisión puede establecerse en dos niveles de salida: 'H' (10 mW) o 'L' (1 mW). El interruptor está preconfigurado de fábrica en la posición 'H'.

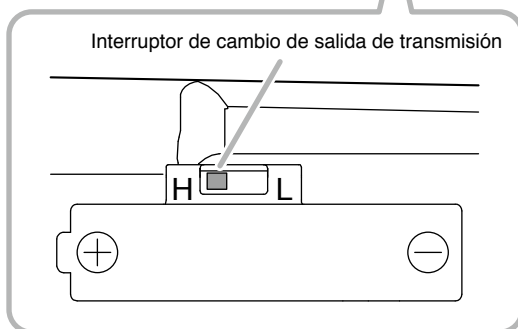
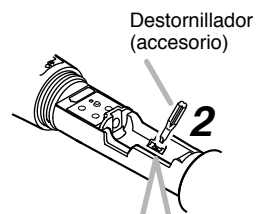
Nota

Asegúrese de apagar el interruptor de encendido y apagado del micrófono antes de realizar los ajustes.

Paso 1. Compruebe que el interruptor de encendido y apagado esté apagado y, a continuación, quite la tapa del compartimento de la batería y la batería.



Paso 2. Con el destornillador incluido, coloque el interruptor de cambio en la salida de transmisión que desee. Coloque el interruptor en la posición 'H' cuando utilice el micrófono en un área extensa. Si el mismo banco y el mismo canal se utilizan en lugares cercanos, coloque el interruptor en la posición 'L' para reducir el campo de transmisión de ondas de radio de cada ubicación y minimizar las interferencias.



Paso 3. Vuelva a insertar la batería y a colocar correctamente la tapa del compartimento de la batería.

9. FUNCIONES PRÁCTICAS (ajustes del interruptor de selección de la sensibilidad del micrófono)

La sensibilidad del micrófono puede configurarse entre "0 dB" (H) o "-10 dB" (L).

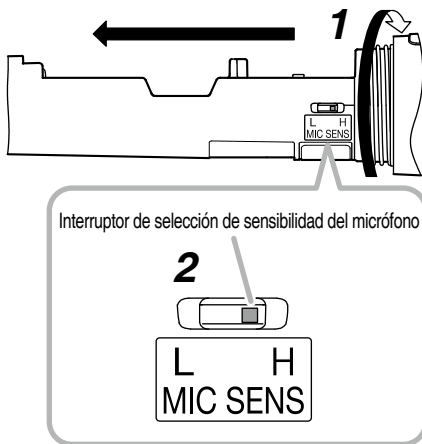
Notas

- Apague el interruptor de encendido y apagado cuando seleccione la sensibilidad.
- Cuando la sensibilidad esté establecida en "H", evite colocar el micrófono demasiado cerca de la boca y hablar en voz alta, ya que el sonido podría ser confuso y difícil de entender.

Paso 1. Compruebe que el interruptor de encendido y apagado esté apagado y, a continuación, quite la tapa del compartimento de la batería.

Paso 2. Con el destornillador incluido, coloque el interruptor en la sensibilidad que desee.

Paso 3. Vuelva a instalar la tapa del compartimento de la batería y apriétela para dejarla como estaba.



10. ESPECIFICACIONES

Elemento micrófono	Cápsula de condensador electret: unidireccional
Tipo de modulación	FSK
Model y Rango de frecuencias	WM-D5200 -C4, -C7: 794 – 832 MHz (794 – 806 MHz en Tailandia) WM-D5200 -G1: 606 – 636 MHz WM-D5200 -H1: 576 – 606 MHz
Canales seleccionables	160 canales (el número de canales puede variar según el país).
Potencia de la portadora RF	Menos de 50 mW
Nivel máximo de entrada	132 dB SPL (sensibilidad: L)/122 dB SPL (sensibilidad: H)
Respuesta de frecuencia audio	100 Hz – 12 kHz
Antena	Tipo integrado
Rango dinámico	Típico 90 dB (cuando se utiliza con el WT-D5800)
ID seleccionable	10 patrones
Batería	Batería recargable WB-2000 (opcional) o pila alcalina AA
Duración de la batería	Aprox. 8 horas
Temperatura de funcionamiento	Entre –10 y +50 °C (excepto la batería)
Humedad de funcionamiento	Del 30 al 85 % de HR (sin condensación)
Acabado	Cuerpo: resina de ABS, negro, revestimiento Cabezal: acero, negro, pintura
Dimensiones	ø47 x 239,5 mm
Peso	220 g (con batería)

Nota: El diseño y las especificaciones del producto pueden ser modificados sin previo aviso con objeto de mejorar sus prestaciones.

• Accesorios

Funda de almacenamiento	1
Destornillador (para el ajuste)	1
Soporte del micrófono	1

Nota

El WM-D5200 no puede comunicarse con el sistema inalámbrico TRANTEC (series S4 y S5) ni con el sistema inalámbrico analógico de TOA (WT-5800, WT-5805 y WT-5810, etc.).



DECLARATION OF CONFORMITY

We: TOA Electronics Europe GmbH
Süderstraße 282, 20537 Hamburg, Germany

as the authorised representative of the

Manufacturer: TOA Corporation
7-2-1, Minatojima-nakamachi, Chuo-ku, Kobe, Japan 650-0046

declare, under our sole responsibility, that the product

Product Name: **DIGITAL WIRELESS MICROPHONE**

Model Number: **WM-D5200**

conforms with following specifications:

RED: EN 301 489-1 V2.2.0 (2017-03)
EN 301 489-9 V2.1.1 (2017-03)
EN 300 422-1 V2.1.2 (2017-01)
EN 60950-1:2006+A11:2009+A1:2010+A12:2011+A2:2013

RoHS: EN 50581: 2012

Health: EN 62479: 2010

The product herewith complies with the requirements of the EU directives:

2014/53/EU relating to the radio equipment (RED),
2011/65/EU relating to the restrictions of hazardous substances (RoHS).

Remark:

This Declaration of Conformity replaces all previous ones of the above model(s).



Hamburg, 06th June 2017
(place, date)


T. Sakata, Managing Director
(authorised signature)

The Technical Construction File (TCF) is kept at the UK office:

TOA Corporation (UK) Ltd; Unit 7 & 8, The Axis Centre, Cleeve Road, Leatherhead, Surrey, KT22
7RD, United Kingdom
Tel.: +44 (0) 870 774 0987; Fax: +44 (0) 870 777 0839; URL: www.toa.co.uk

German Office:

TOA Electronics Europe GmbH, Süderstraße 282, 20537 Hamburg, Germany
Tel: +49 / (0)40 / 25 17 19-0, Fax: +49 / (0)40 / 25 17 19-98 URL: www.toa.eu

COMPLIANCE STATEMENT TO WM-D5200, WM-D5300

AT BE CH DE	Österreich Belgien Schweiz Deutschland	Hiermit erklärt TOA Electronics Europe GmbH die Übereinstimmung des Funkmikrofons mit den grundlegenden Anforderungen und den anderen relevanten Festlegungen der Richtlinie 2014/53/EU. (verantwortlich für die Schweiz: GoWild (Zug); URL: http://www.gowild.ch)
BE CH FR LU	Belgique Suisse France Luxembourg	Par la présente TOA Electronics Europe GmbH déclare que l'appareil microphone sans fil est conforme aux exigences essentielles et aux autres dispositions pertinentes de la directive 2014/53/UE. (CH: GoWild (Zug); URL: http://www.gowild.ch)
BE NL	België Nederland	Hierbij verklaart TOA Electronics Europe GmbH dat deze draadloze microfoon in overeenstemming is met de essentiële eisen en de andere relevante bepalingen van richtlijn 2014/53/EU.
BG	Държава	С настоящото TOA Electronics Europe GmbH декларира, че този безжичен микрофон е в съответствие със съществените изисквания и другите приложими разпоредби на Директива 2014/53/ЕС.
CY	Κυπρος	Η TOA Electronics Europe GmbH, δηλώνει ότι το ασύρματο μικρόφωνο συνάδει με τις βασικές απαιτήσεις και άλλες σχετικές διατάξεις της Οδηγίας 2014/53/ΕΕ.
CZ	Česká republika	TOA Electronics Europe GmbH tímto prohlašuje, že tento bezdrátový mikrofon je ve shodě se základními požadavky a dalšími příslušnými ustanoveními směrnice 2014/53/EU.
DK	Danmark	Undertegnede TOA Electronics Europe GmbH erklærer herved, at følgende udstyr Trådløs Mikrofon overholder de væsentlige krav og øvrige relevante krav i direktiv 2014/53/EU.
EE	Eesti	Käesolevaga TOA Electronics Europe GmbH, teatab, et see traadita mikrofon on kooskõlas põhinõuetele ja muudele asjakohastele direktiivi 2014/53/EL.
ES	España	TOA Electronics Europe GmbH declara que el micrófono inalámbrico cumple con los requisitos esenciales y otras disposiciones aplicables o exigibles en la Directiva 2014/53/UE.
FI	Suomi / Finland	TOA Electronics Europe GmbH vakuuttaa täten tämän langaton mikrofonin on direktiivin 2014/53/EU oleellisten vaatimusten ja sitä koskevien direktiivin muiden ehtojen mukainen.
UK IE	United Kingdom Eire	Hereby, TOA Electronics Europe GmbH, declares that this wireless microphone is in compliance with the essential requirements and other relevant provisions of Directive 2014/53/EU.
GR	Ελλάδα	Με την παρούσα η εταιρεία TOA Electronics Europe GmbH δηλώνει ότι το ασύρματο μικρόφωνο συμμορφώνεται με τις ουσιώδεις απαιτήσεις και τις λοιπές σχετικές διατάξεις της οδηγίας 2014/53/ΕΕ.

HR	Hrvatska	Ovime, TOA Electronics Europe GmbH, izjavljuje, da je ovaj bežični mikrofon u skladu s osnovnim zahtjevima i relevantnim odredbama direktive 2014/53/EU.
HU	Magyarország	A TOA Electronics Europe GmbH ezennel kijelenti, hogy ez a vezeték nélküli mikrofon megfelel az 2014/53/EU Irányelv alapvető követelményeinek és egyéb vonatkozó rendelkezéseinek.
IT CH	Italia Svizzera	Con la presente TOA Electronics Europe GmbH dichiara che questo Radiomicrofono è conforme ai requisiti essenziali ed alle altre disposizioni pertinenti stabilite dalla direttiva 2014/53/UE.
LT	Lietuva	Šiuo, Toa Electronics Europe GmbH ", deklaruoja, kad šis bevelis mikrofonas atitinka esminius reikalavimus ir kitas susijusias nuostatas Direktyvos 2014/53/ES.
LV	Latvija	TOA Electronics Europe GmbH, deklarē, ka bezvadu mikrofons atbilst būtiskajām prasībām un citiem ar to saistītajiem noteikumiem Direktīvā 2014/53/ES.
MT	Malta	TOA Electronics Europe GmbH tistqarr li l-mikrofonu wajerless jissodisfa l-obbligi neċessarji u provvedimenti oħra relevant tad-direttiva 2014/53/UE.
NO	Norway (Norwegian)	TOA Electronics Europe GmbH erklærer herved, at denne trådløse mikrofon er i samsvar med de vesentlige egenskapene og øvrige relevante krav i direktiv 2014/53/EU. (N: Scandec Systemer AS, URL: www.scandecsystemer.no)
PL	Polska	My, TOA Electronics Europe GmbH, niniejszym deklarujemy, iż ten mikrofon bezprzewodowy jest zgodny z zasadniczymi wymaganiami oraz innymi stosowanymi postanowieniami Dyrektywy 2014/53/UE.
PT	Portugal	TOA Electronics Europe GmbH declara que este Microfone Emissor está conforme com os requisitos essenciais e outras disposições da Directiva 2014/53/UE.
RO	Romania	TOA Electronics Europe GmbH, deklarē, ka bezvadu mikrofons atbilst būtiskajām prasībām un citiem ar to saistītajiem noteikumiem Direktīvā 2014/53/UE.
SE	Sverige (Swedish)	Härmed intygar TOA Electronics Europe GmbH att denna Trådlös mikrofon står i överensstämmelse med de väsentliga egenskapskrav och övriga relevanta bestämmelser som framgår av direktiv 2014/53/ EU.
SI	Slovenija	S tem, TOA Electronics Europe GmbH, izjavlja, da je ta brezžični mikrofon v skladu s bistvenimi zahtevami in drugimi ustreznimi določbami Direktive 2014/53/EU.
SK	Štát	TOA Electronics Europe GmbH týmto prehlasuje, že tento bezdrôtový mikrofón je v zhode so základnými požiadavkami a ďalšími príslušnými ustanoveniami smernice 2014/53/EÚ.

URL: www.toa.eu

INTENDED USE OF

WM-D5200, WM-D5300

AT BE CH DE	Österreich Schweiz Deutschland	WICHTIGER HINWEIS !	Der Gebrauch dieses Funkmikrofons für andere Zwecke als zur Übertragung eines Tonsignals an einen passenden Funkempfänger ist nicht zulässig. Dieses Gerät arbeitet auf in der europäischen Gemeinschaft (EU) nicht harmonisierten Frequenzen. Abhängig vom geografischen Gebiet dürfen nur bestimmte Frequenzen legal mit oder ohne Autorisierung / individueller Lizenz entsprechend der beigefügten Frequenztafel genutzt werden.
BE CH FR LU	Belgique Suisse France Luxembourg	AVIS IMPORTANT !	Ne pas utiliser les microphone sans fil pour une transmission du signal audio vers un autre récepteur ou module tuner prévu à cet effet. Cet appareil utilise des fréquences d'émission qui ne sont pas harmonisées à travers la Communauté Européenne (EU). En fonction du lieu géographique certaines fréquences peuvent être utilisée de façon légale avec ou sans autorisation / licence individuelle comme décrit dans le tableau des fréquences.
BE NL	België Nederland	BELANGRIJKE AANWIJZING !	Het is niet toegestaan deze draadloze microfoon te gebruiken voor enig ander doel dan het zenden van een audiosignaal naar de bijbehorende ontvanger of ontvangstmodule. Dit apparaat maakt gebruik van frekwentiebanden welke in de Europese Gemeenschap (EG) niet algemeen zijn toegestaan. Afhankelijk van de geografische ligging kan voor het legaal gebruik van een bepaalde frekwentie een vergunning nodig zijn, zoals is aangegeven in de frekwentietabel.
BG	Държава	ВАЖНО УТОЧНЕНИЕ !	Не е законно използването на този безжичен микрофон за каквато и да е друга цел, освен предаване на аудио сигнали до предвидения негов приемник. Това устройство може да работи в честототен диапазон, нехармонизиран с изискванията на Европейската Общност (ЕС). В зависимост от конкретното географско място, само определени честоти могат да бъдат използвани легално – със или без оторизация / индивидуална лицензия, както е посочено в таблицата с честотите.

 URL: www.toa.eu

02.06.2017

INTENDED USE OF

WM-D5200, WM-D5300

CY	Κυπρος	ΣΗΜΑΝΤΙΚΉ ΣΗΜΕΪΩΣΗ !	<p>Η χρήση αυτού του ασύρματου μικροφώνου είναι παράνομο να χρησιμοποιείτε για οποιοδήποτε άλλο σκοπό εκτός από τη μετάδοση του ηχητικού σήματος από τον αντιστοίχο του δέκτη.</p> <p>Η συσκευή αυτή κάνει χρήση του εύρους συχνοτήτων οι οποίες δεν εναρμονίζονται σε ολόκληρη την Ευρωπαϊκή Κοινότητα (ΕΕ). Ανάλογα με τη γεωγραφική περιοχή μόνο ορισμένες συχνότητες μπορούν να χρησιμοποιηθούν νόμιμα, με ή χωρίς την έγκριση / μεμονωμένης άδεια χρήσης, όπως αναφέρεται στον πίνακα συχνοτήτων.</p>
CZ	Česká republika	DŮLEŽITÁ POZNÁMKA !	<p>Tento bezdrátový mikrofon smí být použit pouze pro přenos zvukového signálu do odpovídajícího přijímače. Jiné použití není legální.</p> <p>Toto zařízení používá frekvenční pásma, která nejsou harmonizována v celé Evropské Unii. V závislosti na lokalitě použití mohou být případně legálně použity pouze některé frekvence, viz tabulka frekvencí. K provozu může být vyžadováno povolení příslušných orgánů.</p>
DK	Danmark	VIGTIGT !	<p>Det er ulovligt at bruge denne trådløse mikrofon til andre formål end at sende et lydsignal til en passende modtager eller modtager modul.</p> <p>Dette udstyr anvender frekvens bånd som ikke er harmoniseret i EU. Afhængig af det enkelte land/område kan bestemte frekvenser anvendes lovligt med eller uden individuel licens som beskrevet i frekvens tabellen.</p>
EE	Eesti	OLULINE TEADE !	<p>Käesolev juhtmeta mikrofon on mõeldud ainult vastava Toa vastuvõtjaga kasutamiseks, muud rakendused ei ole lubatud.</p> <p>Seadmega on võimalik kasutada Euroopa Liidus harmoneerimata sagedusalasid, seega enne kasutamist tuleb kontrollida, et oleks valitud lubatud sagedused. Sõltuvalt geograafilisest asukohast võivad ainult teatud sagedusalad olla lubatud, võimalik, et nõutakse eraldi kasutuslubasid.</p>

URL: www.toa.eu

02.06.2017

INTENDED USE OF

WM-D5200, WM-D5300

ES	España	¡ AVISO IMPORTANTE !	<p>Es ilegal utilizar este micrófono inalámbrico para cualquier otro propósito que no sea transmitir una señal de audio a su correspondiente receptor o módulo sintonizador.</p> <p>Este dispositivo hace uso de bandas de frecuencia que no son legales en toda la Comunidad Europea (CE). Dependiendo del área geográfica, ciertas frecuencias se pueden utilizar legalmente, con o sin autorización individual, según se indica en la tabla de frecuencias.</p>
FI	Suomi / Finland	HUOMIOITAVAA !	<p>Tätä langatonta mikrofonia saa käyttää ainostaan audiosignaalien lähettämiseen sille tarkoitettuun vastaanottimeen tai vastaanotinmoduliin.</p> <p>Tämä laite käyttää taajuuksia jotka eivät ole yhteneviä koko EU:n alueella. Riippuen maantieteellisestä sijainnista joiain taajuuksia saa käyttää joko radio- luvan kanssa tai ilman. Ks. oheinen taajuustaulukko.</p>
UK IE	United Kingdom Eire	IMPORTANT NOTICE !	<p>It is illegal to use this wireless microphone for any other purpose than transmitting an audio signal to its matching receiver.</p> <p>This device makes use of frequency bands which are not harmonised throughout the European Community (EU). Depending on the geographical area only certain frequencies can be used legally with or without authorisation / individual license as stated in the frequency table.</p>
GR	Ελλάδα (Greek)	ΣΗΜΑΝΤΙΚΗ ΣΗΜΕΙΩΣΗ !	<p>Είναι παράνομη η χρήση του ασύρματου μικροφώνου για οποιοδήποτε άλλο λόγο εκτός της εκπομπής ηχητικού σήματος στον αντίστοιχο δέκτη ή μονάδα Tuner.</p> <p>Η συσκευή αυτή χρησιμοποιεί συχνότητες οι οποίες δεν εναρμονίζονται σε όλη την Ευρωπαϊκή Ένωση (Ε.Ε.). Ανάλογα με τη γεωγραφική περιοχή συγκεκριμένες συχνότητες μπορούν να χρησιμοποιηθούν νόμιμα με ή χωρίς άδεια / ειδική άδεια όπως αναφέρεται στον πίνακα συχνοτήτων.</p>
HR	Hrvatska	VAŽNE NAPOMENE	<p>Korištenje bežičnog mikrofona u bilo koju drugu svrhu, osim za odašiljanje audio signala na pripadajući mu prijemnik je ilegalno.</p> <p>Ovaj uređaj može koristiti frekvencije koji nisu u dozvoljene u svim zemljama Europske unije (EU). Ovisno o pojedinoj zemlji, određene frekvencije, legalno se mogu koristiti s ili bez dozvole/tj.individualne licence, a kako je navedeno u tablici s frekvencijama.</p>

INTENDED USE OF

WM-D5200, WM-D5300

HU	Magyarország	FONTOS FIGYELMEZTÉS !	<p>Ez a vezeték nélküli mikrofon kizárólag hangjel továbbítására alkalmazható a vevőkészüléke felé. Egyéb felhasználási módja törvénybe ütközik.</p> <p>Ez az eszköz olyan frekvencia sávokat használ, amelyek nincsenek harmonizálva az Európai Közösségen (EU) belül. A földrajzi helyzettől függően csak bizonyos frekvenciák használhatók legálisan engedéllyel, vagy anélkül, a frekvencia táblázatban jelölteknek megfelelően.</p>
IT CH	Italia Svizzera	AVVISO IMPORTANTE !	<p>È illegale utilizzare questo radiomicrofono per qualsiasi altro scopo che non sia la trasmissione di un segnale audio ad ogni suo ricevitore o modulo sintonizzatore.</p> <p>Questo prodotto utilizza bande di frequenza che non sono totalmente armonizzate in tutta la Comunità Europea (EU). Dipendentemente dall' area certe aree geografica certe frequenze possono essere usate legalmente con o senza autorizzazione / licenze individuali come stabilito nella tabella delle frequenze.</p>
LT	Lietuva	SVARBI PASTABA !	<p>Nelegalu naudoti šį bevielį mikrofoną kitu tikslu, negu perduoti garso signalą atitinkamam imtuvui.</p> <p>Šis įrenginys naudoja dažnių juostą kuri nėra suderinta su Europos sąjunga (ES). Priklausomai nuo geografinės vietovės, tik tam tikri dažniai gali būti naudojami teisėtai su arba be leidimo / individualios licencijos, kaip nurodyta dažnių lentelėje.</p>
LV	Latvija	SVARĪGA PIEZĪME !	<p>Ir aizliegts izmantot šo bezvadu mikrofonu jebkuram citam nolūkam, kā raidot audio signālu uz atbilstošu uztvērēju.</p> <p>Šī iekārta izmanto frekvenču joslas, kas nav saskaņotas visā Eiropas savienībā (ES). Atkarībā no ģeogrāfiskā reģiona tikai noteiktās frekvences var izmantot legāli, ar vai bez atļaujas vai individuālās licences, kā norādīts frekvenču tabulā.</p>
MT	Malta	NOTA MPORANTI !	<p>Mhux permess l-uzu ta' dan il-mikrofonu bla wires, hlief biex jittrazmetti sinjal 'audio' fir-'receiver' tieghu. Kwalinkwe uzu ghal skop differenti, huwa llegali.</p> <p>Dan il-microphone jaghmel uzu minn frekwenzi li mhux harmonizzati fl-Unjoni Ewropeja. F'certu zoni jistghu jigu ntuzati biss legalment certu frekwenzi bil- jew bla-awtorizzazzjoni jew licenzji li huma mhabbrin fuq il-'frequency table'.</p>

 URL: www.toa.eu

02.06.2017

INTENDED USE OF

WM-D5200, WM-D5300

NO	Norway	VIKTIG MELDING !	<p>Det er ulovlig å bruke denne trådløse mikrofonen til noe annet formål enn å overføre et lydssignal til en tilhørende mottaker eller tuner modul.</p> <p>Denne enheten gjør bruk av frekvensbånd som ikke gjennomført er harmonisert i det Europeiske Fellesskap (EU). Avhengig av det geografiske område kan noen frekvenser være tillatt brukt med eller uten autorisasjon / individuelle lisenser slik det er beskrevet i frekvenstabellen.</p>
PL	Polska	WAŻNA INFORMACJA !	<p>Używanie mikrofonu bezprzewodowego w celu innym, niż nadawanie sygnału audio do sparowanego z nim odbiornika jest niezgodne z prawem.</p> <p>To urządzenie wykorzystuje pasma częstotliwości, które nie są zharmonizowane w obrębie Unii Europejskiej (UE). W zależności od lokalnych regulacji krajowych część częstotliwości może być niemożliwa do wykorzystania, lub też wymagać posiadania licencji, zgodnie z Krajową Tablicą Przeznaczeń Częstotliwości.</p>
PT	Portugal	NOTA IMPORTANTE !	<p>Este Microfone Emissor só pode transmitir sinal de audio para o respectivo receptor ou sintonizador.</p> <p>Este equipamento utiliza bandas de frequência que não estão harmonizadas em toda a Comunidade Europeia (CEE). De acordo com a área geográfica, certas frequências podem ser usadas com ou sem autorização / licença individual, conforme está mencionada na lista de frequências.</p>
RO	Romania	NOTA IMPORTANTA !	<p>Este ilegală folosirea microfonului wireless în orice alt scop decât transmiterea unui semnal audio către receptorul sau compatibil.</p> <p>Acest dispozitiv utilizează benzi de frecvență care nu sunt armonizate în Comunitatea Europeană (EU). În funcție de așezarea geografică, numai anumite frecvențe pot fi utilizate legal cu sau fără autorizație/ licență individuală după cum se menționează în tabelul de frecvențe.</p>
SE	Sverige	VIKTIG ANMÄRKNING !	<p>Det är illegalt att använda denna trådlösa mikrofon för något annat ändamål än att överföra en audiosignal till dess tillhörande mottagare eller tunermodul.</p> <p>Denna apparat utnyttjar frekvensband som inte överensstämmer med varandra inom hela Europeiska Gemenskapen (EG). Beroende på geografiskt område kan vissa frekvenser användas legalt med eller utan tillstånd/individuell licens enligt frekvensplanen.</p>

INTENDED USE OF

WM-D5200, WM-D5300

<p>SI</p>	<p>Slovenija</p>	<p>POMEMBNO !</p>	<p>Prepovedana je vsakršna uporaba brezžičnega mikrofona v druge namene kot oddajanje avdio signala pripadajočemu sprejemniku.</p> <p>Ta naprava omogoča uporabo frekvenčnih pasov, ki niso usklajeni v vsej Evropski skupnosti (EU). Glede na geografsko območje se lahko legalno uporabljajo samo določene frekvence z ali brez dovoljenja, kot je navedeno v frekvenčni tabeli.</p>
<p>SK</p>	<p>Štát</p>	<p>DÔLEŽITÉ UPOZORNENIE!</p>	<p>Bezšnúrový mikrofón sa nesmie používať na iný účel ako na vysielanie audio signálu do príslušného prijímača.</p> <p>Toto zariadenie používa frekvenčné pásma, ktoré nie sú harmonizované v celej Európskej únii (EÚ). V závislosti od zemepisnej polohy možno používať len niektoré frekvencie na základe všeobecného alebo individuálneho povolenia, ako je uvedené vo frekvenčnej tabuľke.</p>

URL: www.toa.eu

02.06.2017

Traceability Information for USA

Manufacturer:
TOA Corporation
7-2-1, Minatojima-Nakamachi, Chuo-ku, Kobe, Hyogo,
Japan

Authorized representative:
TOA Electronics, Inc.
400 Oyster Point Boulevard, Suite 301,
South San Francisco, California 94080,
USA

Traceability Information for Europe

Manufacturer:
TOA Corporation
7-2-1, Minatojima-Nakamachi, Chuo-ku, Kobe, Hyogo,
Japan

Authorized representative:
TOA Electronics Europe GmbH
Suederstrasse 282, 20537 Hamburg,
Germany