



INTEGRATED AUDIO COLLABORATION SYSTEM

AM-CF1

DESCRIPTION

The AM-CF1B is a professional conferencing audio system equipped with a real-time steering array microphone and active stereo speakers, which supports USB, Codec and analog audio interfaces for web conferencing applications in small to medium size meeting spaces. A line array microphone enables to track sound automatically, helping to clearly pick up the voice of a particular participant. Built-in AEC (Acoustic Echo Cancellation), NC (Noise Cancellation), and EQ maximize performance making collaboration between remote sites a very natural experience. Seven LED indicators help reliable communications by visualizing presenter location, input voice level and mute status. Extra USB service ports are also available for local connections with other USB devices such as webcam.

SPECIFICATIONS

Version	B	W
Power Source	12 V DC (supplied from the specified AC adapter (accessory)) or 52 V DC (supplied from the specified PoE extender)	
Current Consumption	3.5 A or less	
Input	USB Audio: 2 channels, USB 3.0/USB 2.0/USB 1.1 3.0 type-B port Bluetooth: 2 channels (A2DP1.3 (stereo), HFP1.6) Codec: 1 channel, -10 dB (*1), 10 k ohms, unbalanced, RCA pin jack AUX: Stereo 1 channel, -10 dB (*1), 10 k ohms, unbalanced, RCA pin jack	
Output	USB Audio: 2 channels, USB 3.0/USB 2.0/USB 1.1 3.0 type-B port Bluetooth: 1 channel (HFP1.6) Codec: 1 channel, -10 dB (*1), 600 ohms, unbalanced, RCA pin jack AUX: Stereo 1 channel, 4 dB (*2), 600 ohms, electronically-balanced, removable terminal block (6 pins) Internal speaker: 2-way (woofer x 2, tweeter x 1) x 2 (left & right side), 10 W x 2	
USB Hub Port	USB 3.0/USB 2.0/USB 1.1 type-A port	
Control Input	2 channels, no-voltage make contact input, open voltage: 12 V DC, short-circuit current: 2 mA or less, removable terminal block (6 pins)	
Control Output	2 channels, relay contact output, withstand voltage: 30 V DC, control current: max. 300 mA, removable terminal block (6 pins)	
Network I/F	10BASE-T/100BASE-TX, RJ-45	
Microphone	Unidirectional electret condenser microphone	
Frequency Response	20 Hz - 20 kHz (AUX IN - AUX OUT)	
Operation	Power switch, Bluetooth pairing, Mute, Volume Up/Down	
Indicators	Power (blue/green/yellow/red), USB connection (green/blue), Bluetooth (blue), Multifunction (green/red)	
Operating Temperature	0 °C to +40 °C (32 °F to 104 °F)	
Operating Humidity	90 %RH or less (no condensation)	
Finish	RAL 9005 black equivalent RAL 9003 white equivalent	
	Body: Aluminum, 30 % gloss	
	Punched net: Surface-treated steel plate, 30 % gloss Side cover: ABS resin.	
Dimensions	799 (W) x 83.2 (H) x 85.5 (D) mm (31.5" x 3.28" x 3.37")	
Weight	4.6 kg (10.14 lb)	
Accessory	AC adaptor, Wall mounting bracket (preinstalled on the unit) x 1, Hex wrench (M3) x 1	

(*1) 0 dB = 1 V

(*2) 0 dB = 0.775 V

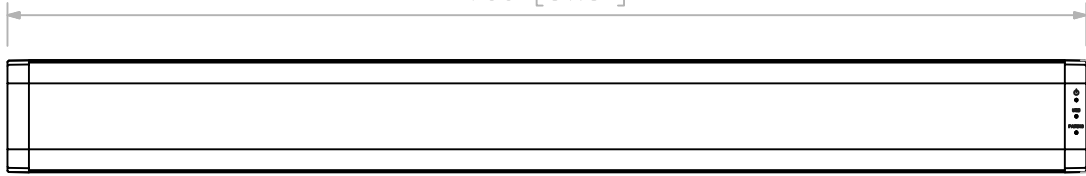
* The Bluetooth® word mark and logos are registered trademarks owned by Bluetooth SIG, Inc. and any use of such marks by TOA Corporation is under license. Other trademarks and trade names are those of their respective owners.

INTEGRATED AUDIO COLLABORATION SYSTEM

AM-CF1

APPEARANCE

799 [31.5"]



Front View

83.2 [3.28"]

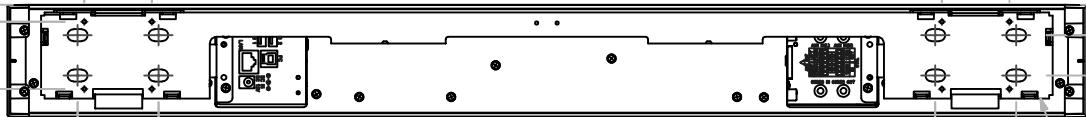
50 [1.97"]
12.5 [0.49"]

57 [2.24"]

50 [1.97"]

586 [23.07"]

50 [1.97"]



576 [22.68"]

30 [1.18"]

22.5 [0.89"]

52 [2.05"]

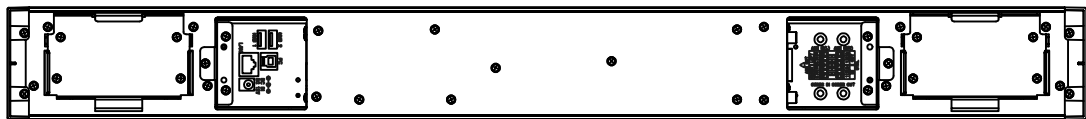
60 [2.36"]

60 [2.36"]

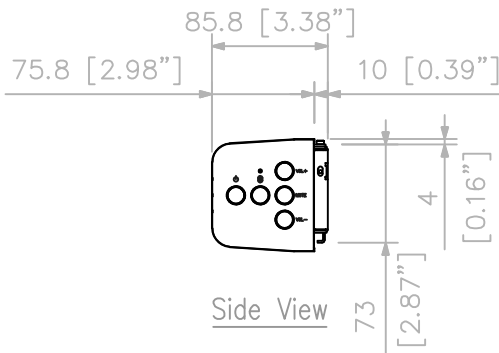
Rear View

Wall mounting bracket

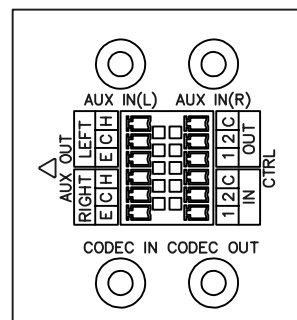
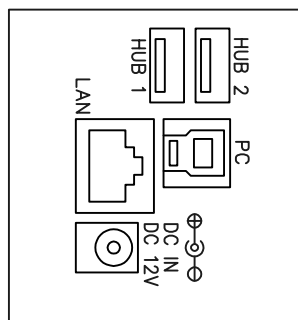
(Dimensions of wall mounting hole)



Rear View without wall mounting bracket



Side View



Enlarged view of Terminal

UNIT:mm SCALE:1/6