

## ■ SPECIFICATIONS

Product Composition	Handheld wireless microphone ...1, Receiver ...1
Frequency Range	506 - 538 MHz (*1), UHF
Channel Selectable	4 Channels
Tunable Frequencies	25kHz Steps
Pilot tone	32.768kHz
Total Harmonic Distortion	<1% @ 1kHz
Function	IR sync, Channel scan, Battery indicator
Accessory	AC adapter (*2) ...1
	Microphone holder ...1

### Wireless microphone

Microphone Element	Dynamic with cardioid pattern
RF Carrier Power	10mW
Audio Frequency Response	80 - 15000 Hz
Audio input Level	140dB SPL (maximum)
Modulation System	PLL synthesizer
Battery	1 AA size alkaline battery, 1.5 V
Battery Life	Approx. 10 hours
Indicator	Battery status LED, 7 segments LED
Finish	Resin, coating
Dimensions	approx. 250 x 50 mm
Weight	approx. 245 g (with battery)

### Wireless receiver

Diversity Reception	AC mains (supplied AC-DC adapter must be used)
Sensitivity	10uV at 45dBA S/N
Squelch(SQ)	Tone SQ, Carrier SQ, Noise SQ
Audio Frequency Response	50 - 15000Hz
Audio Output Level (Maximum)	S4.04-RX Balanced (XLR socket) : -20dBu Un-balanced (1/4" jack socket) : 10dBu
Power Supply	11-18 VDC 300mA
Dimensions	215(W) x 39(H) x 102(D) mm (excluding antenna and BNC)
Weight	480g
Option	Mounting bracket kit: MB-S4RX (MB-S4RX-5)

(\*1)

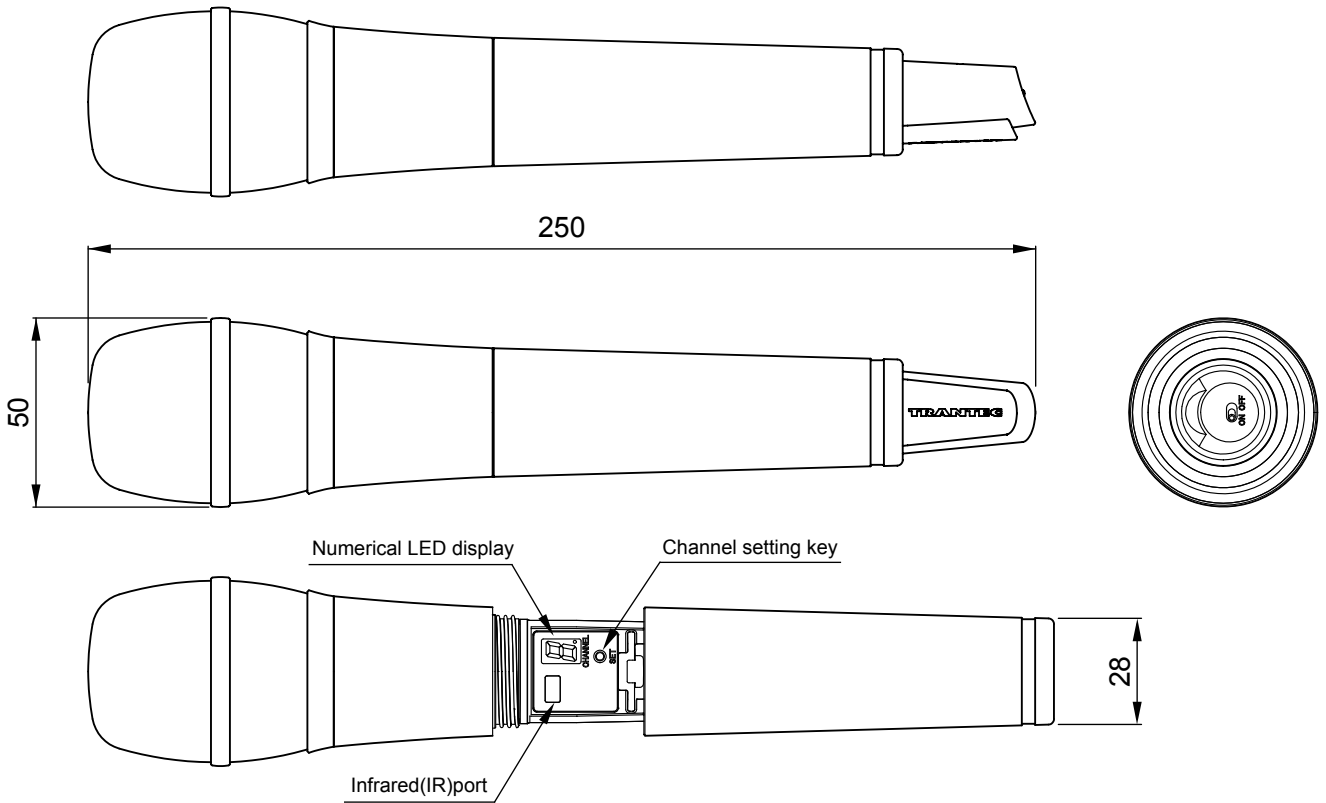
Band	Frequency
M	506 - 538 MHz, UHF

(\*2)

Version	AC Adapter
R (US)	120 V AC , 60Hz

■ APPEARANCE

Wireless Microphone



Wireless Receiver

